

CARGO FLOOR®

ASSEMBLY INSTRUCTIONS

CF500 SLC 12/200 LR SERIES (LEAK RESIST)*


*** Import remark!**

The LR-serie = leak resist and is NOT granted to be 100% Leak proof because of the “under mount” construction. Any leakage that may occur will only be possible and centrated at the connection area between the drive system and the floor profiles. A collector bin could avoid any spilling on the floor.

INTRODUCTION

The assembly instructions outlined in this book will enable you to assemble the Cargo Floor system you have purchased correctly. Every effort has been made, by means of diagrams and text, to ensure a clear and simple installation. To ensure the durability and reliability of this revolutionary loading and unloading system, it is important that you follow the assembly instructions as outlined in this book completely, and use quality materials in accordance with the specifications. Please note that the guarantee is only valid if the Cargo Floor system has been assembled in accordance with these assembly instructions. The latest available version can always be found on our internet site: Cargofloor.com

The measurements given in this instruction start with the metric system after which between brackets [0] the imperial measurement is mentioned.

 **If the indications in this manual, as well as those stated in the user manual, are not followed this could result in damages and/or injuries.**

 **If your customer had any specific wishes we advise you to contact Cargo Floor B.V. This especially when what is wished for differs from the so-called normal use.**

(ADDITIONAL) INSTRUCTIONS

The following (additional) instructions are available:

Assembly CF3 LP-2 15-160
Assembly CF100 SLL
Assembly CF500 SLC
Assembly CF500 SLC Power Speed system
Assembly CF500 SLC Leak Resist Centre drive
Assembly CF500 SLC 15/156,8 [6.17"] XHDI / HD
Assembly CF600 HDC
Assembly CF800
Assembly Protected Seal 156,8 mm [6.17"]
Assembly Semi Leak Proof (SLP) system

The latest available version can always be found in the downloads section on our internet site:
www.cargofloor.com/en/downloads

TABLE OF CONTENTS

| | |
|---|----|
| Introduction | 2 |
| (Additional) instructions | 2 |
| Table of contents | 3 |
| Identification plate | 4 |
| Stickers | 5 |
| Important recommendations and guidelines | 7 |
| Emergency stop | 9 |
| Hoisting instructions | 10 |
| The chassis | 11 |
| Positioning the system..... | 12 |
| Height check and alignment of the Cargo Floor system..... | 12 |
| Securing the system..... | 13 |
| Bracing the side walls..... | 15 |
| Connecting the hydraulics | 16 |
| Preparing the profiles | 17 |
| Determining the Leak Proof subdeck length | 17 |
| Cutting out the openings in the Leak Proof subdeck | 18 |
| Secure the other under floor profiles..... | 22 |
| Finishing the edges of the under floor..... | 24 |
| Assembly of the end stops and plastic guide profiles..... | 25 |
| Determining the length of the top profile | 27 |
| Drill mounting holes in the profiles | 27 |
| Drilling the holes in the floor profiles | 28 |
| Securing the floor profiles to the drive unit..... | 29 |
| Mounting the control box and the electrics..... | 30 |
| The moving headboard..... | 32 |
| The moving headboard tarpaulin | 33 |
| Adjustment of the threaded rod of the control valve | 34 |
| Technical specifications..... | 35 |
| Maintenance instructions | 36 |
| Important instructions | 37 |
| Choke..... | 38 |
| Troubleshooting E-control..... | 39 |
| Warranty conditions..... | 41 |
| Contact data | 43 |

TABLE OF CONTENTS OF THE ENCLOSED DRAWINGS
Attention: choose the system type that you are building in!!!

| Subject | Drawing |
|--|----------------|
| System CF500 SLC H80 12-200 | 0018543_0 |
| Trailer floor lay-out for LR alu subdeck slide-in 12/200 | 0018815 |
| Hydraulic drawing CF500 SLC A | H1-A |
| Hydraulic drawing CF500 SLC B | H1-B |
| Hydraulic drawing CF500 SLC E | H1-E |
| Proposal drawing hydraulic connections CF500 SLC | H2 |
| Electric drawing E..... | E1 |
| Electric drawing B..... | E2 |
| Control valve E | BV1 |
| Control valve B | BV2 |

IDENTIFICATION PLATE

General extended identification plate

Next to the system number the Cargo Floor order number will be mentioned and a field with 9 digits has been added in which we can, if required, put your identification or order number.

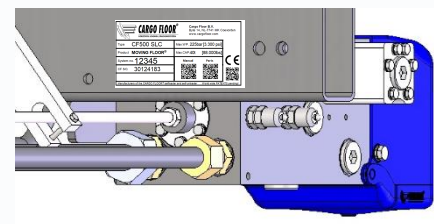
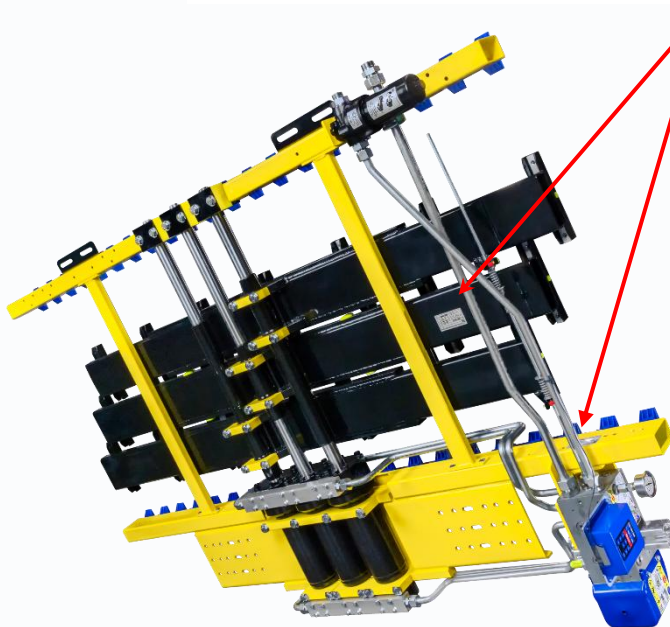
Numbers are automatically provided with a barcode; this makes it possible for you to scan the required data.

Short small identification plate

An extra identification plate has been mounted near the rear bridge, above the threaded rod of the control valve, so the system number can be read simply and swiftly at the outside of the trailer.

Paint and dirt protection

The identification plates are specially fitted with a double layer of transparent protective foil. The first protective foil has a lip with remains visible when the Cargo Floor system has gotten painted or exceptional dirty. This protective foil can simply be removed so the data is readable again and the second protective foil remains intact so the data remains protected.



STICKERS

This WARNING STICKER/DECAL has been supplied with the drive unit in two fold. It should be attached near the control box and on the rear door in such a way that it is easy to read.



STICKERS/DECALS ON THE TRAILER

A



B

White/transparent



or

Black/ transparent



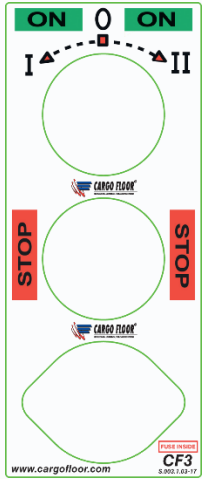
C

STICKERS/DECALS ON THE CONTROL BOX, ONLY WITH B- AND E-CONTROL

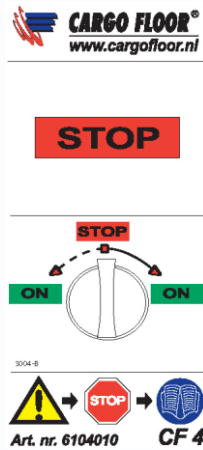


STICKERS/DECALS ON THE SWITCHES

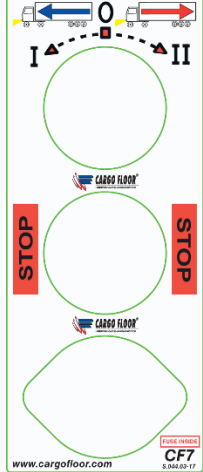
Switch B-control



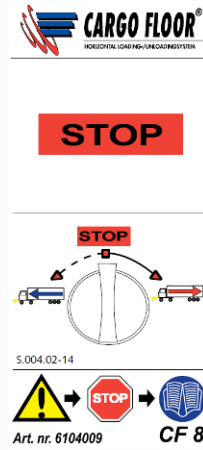
Switch B-control



Switch E-control

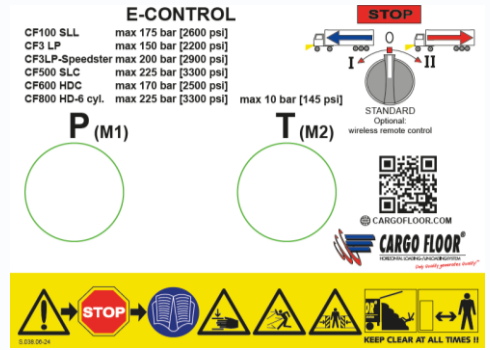
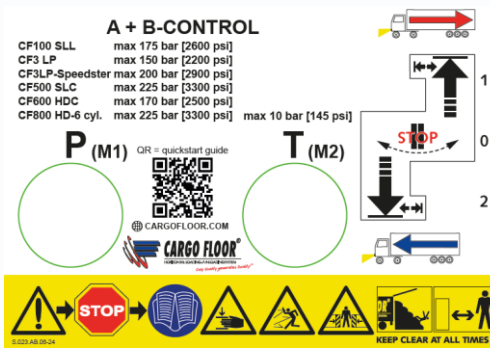


Switch E-control



D

STICKERS/DECALS ON THE SIDE OF THE TRAILER, NEAR THE DRIVE UNIT



Only A + B-control



IMPORTANT RECOMMENDATIONS AND GUIDELINES

Before putting the Cargo Floor loading and unloading system into operation, follow the recommendations provided below and check the specified checkpoints to avoid damage to the Cargo Floor system and the vehicle.

Please review the important instructions before operating the Cargo Floor system and loading cargo into the vehicle. Likewise, before loading cargo, check the operation of the various control switches/valves to familiarise yourself with how the system works. We strongly recommend that you perform these checks when picking up the vehicle from the dealer so that your skilled supplier can answer your questions and provide you with any necessary advice or guidance you may require.

Important:

- Always check that the selected loading or unloading direction is actually activated and occurring!!
- If the system fails to start, turn off the Cargo Floor system and the hydraulic pump and follow the recommendations and guidelines provided below. Do not repeatedly try to start the system as this may result in damage to your Cargo Floor system and/or vehicle.
- After use, turn off the Cargo Floor system and hydraulic pump. Set switches to the "0" position and the lever in neutral.

In case of doubt or uncertainty about these recommendations and guidelines, always contact your dealer or an official workshop.

The Cargo Floor system comes standard with an operating manual, but if this has not been supplied, please contact your dealer or download it from the official Cargo Floor website: Cargofloor.com, [download](#).

- A) Always open the vehicle's doors before turning on the hydraulic pump. Note! Build-up of pressure against the doors can open them with force. Also some of the cargo can fall out of the vehicle by itself after opening the doors, therefore KEEP CLEAR AT ALL TIMES, product could fall on top of you! Both could result in damages and/or injuries! It is always advisable to use the pneumatic door lock, if provided.
- B) 1. Check that the vehicle's (quick-detachable) couplings are properly connected to the P (Pressure line) and the T (tank/return line). Also check that the couplings are fully tightened or slid completely into each other.
IMPORTANT: the pressure and return line connectors may not be reversed or exchanged to prevent dirt or water from entering the lines when connecting them!
2. Before connecting, check that the non-return valves can open easily (check: the non-return valves should open easily when pressed with the finger, if not, potential pressure build-up in the hydraulic lines may be preventing the system from starting).
NOTE: Incorrectly connected or unopened hydraulic couplings will cause serious damage to the Cargo Floor system and the vehicle.
- C) The vehicle (pump) must be fitted with a pressure relief valve that is set at the maximum pressure according to the system, see the technical specs. If fitted, check that the dual-function lever (function: tipper/Cargo Floor) is in the Cargo Floor position. Pressure may not exceed the maximum adjusted and allowable operating pressure of the Cargo Floor system. An incorrectly adjusted pressure relief valve can cause damage to the Cargo Floor system and the vehicle.
- D) During operation, the (hand)brake of the vehicle must always be applied. You must, however, move the vehicle forward on time to unload it quickly in order to prevent unnecessary strain and wear to the floor and the vehicle.
- E) Use of a wireless remote control is permitted only if it is fully tested before the start of each loading or unloading operation. Always check if the function you have selected is actually activated and taking place. If, for example, you have accidentally pressed the load function when you actually meant to press the unload function, irreversible damage may occur to the Cargo Floor system and the vehicle.
- F) During operation of the Cargo Floor system, all existing STOP and control knobs/levers must be freely accessible.

- G) The pressure filter element needs to be replaced at least once a year. If the couplings between the vehicle and the Cargo Floor system are regularly removed, it is advisable to check the pressure filter for dirt build-up and replace the pressure filter element more often, if necessary. If provided, also check the return filter (not supplied with the Cargo Floor). Failure to replace a filter element on time may cause damage to or malfunctions in the Cargo Floor system and the vehicle.
- H) Moving parts must be shielded. Always maintain at least 10 meter [30'] distance from the Cargo Floor system when it is in operation.
- I) In the event of malfunctions/maintenance work, you may approach the Cargo Floor system only if all equipment, including the hydraulic pump, have been shut off, and the Cargo Floor system and the electro-hydraulic aggregate have been disconnected from the power supply and pump.
- J) Regularly check and, if necessary, tighten any loose bolts that secure the aluminium floor profiles to the Cargo Floor system. All such checks can simply be performed inside the vehicle itself by qualified personnel. The Cargo Floor system must, however, be turned on in unloaded condition and the person performing the check must place his finger half on the floor profile and half on the bolt. There should be no appreciable movement/space between the floor profile and bolt. Failure to check these bolts may lead to damage to the Cargo Floor system. During this check, a second person must also be present to switch off the Cargo Floor system.
- K) Check that the minimum required amount of oil is present 150 liter [40 US gallon]. Too little oil in the hydraulic tank will cause damage to both the pump and the Cargo Floor system.
- L) Do not allow the number of strokes to exceed the maximum allowable 16 power strokes per minute. Only a CF500 SLC Power Speed Cargo Floor system may deliver up to 23 beats per minute. A higher number of power strokes can cause damage to the Cargo Floor system and the vehicle.
- M) Hydraulic lines, couplings and hoses with very small diameters will cause damage.
- N) If the Cargo Floor system fails to start or operates incorrectly, the Cargo Floor system and the hydraulic pump must be shut down immediately. Subsequently, check all the checkpoints before switching the pump and the Cargo Floor system back on. To prevent the oil from overheating, regularly check the oil temperature by CAREFULLY and CAUTIOUSLY touching the line and or oil tank. If either is too hot to the touch, stop touching them right away. **WARNING: TOUCHING OVERHEATED OIL AND COMPONENTS CAN CAUSE BURNS!**
- O) The cause of failure or malfunctioning of the Cargo Floor system may also be due to other hydraulic components that may or may not be connected to the same hydraulic circuit of the Cargo Floor system.
- P) Jamming of the floor profiles caused by the transport of abnormal loads and or the freezing of the floor or of the product to the floor may result in damage to the Cargo Floor system and the vehicle. Recommendation: in the event of freezing, stop the system and try to find a hall (heated area) to allow the product to thaw.
- Q) Because the electrical power supply of the Cargo Floor system is often connected to the lighting circuit of the vehicle, it is advisable to turn on the lighting throughout the operation of the system.
- R) Maintenance and repairs to the Cargo Floor system may be only performed by qualified personnel. Use only original Cargo Floor components to ensure maximum reliability and long service life.
- S) Maximum cargo weight is subject to the limits set by law and applicable regulations. Even if the system can transport heavier loads, the law determines the maximum limit. Excessively heavy cargo can cause damage to the Cargo Floor system and the vehicle.
- T) Check that the correct type and quality of hydraulic oil is used. The use of incorrect oil type may cause damage to the Cargo Floor system and the pump.
- U) Check the vehicle for correct voltage. Make sure there are no open electrical connections. A faulty electrical system can cause damage to the Cargo Floor system and the vehicle.
- V) Check that the bulkhead, if present, is functioning smoothly and properly. A properly functioning bulkhead ensures that the product is unloaded in a clean and quick fashion. A malfunctioning bulkhead may extend the unloading time and cause damage to the vehicle.
- W) Use of the Cargo Floor system by unqualified personnel can cause damage to the Cargo Floor system and the vehicle.
- X) Excessively high oil temperatures will cause damage to the Cargo Floor system and other hydraulic components, such as the pump.

- Y) It is at all times advisable to stop the Cargo Floor system when all the piston rods are retracted. This is usually the case when the floor profiles are positioned towards the unloading end (vehicle doors). Unretracted piston rods may cause damage to the Cargo Floor system.
- Z) To prevent damage to the floor profiles, exercise caution and limit the dump height as much as possible. The transport of unauthorised goods, such as aggressive, corrosive, hot, hard, sharp and viscous materials may cause damage to the Cargo Floor system and the vehicle. Avoid loading and unloading sharp objects. Loads that are softer than the hardness of the floor profiles will extend the service life of your system; if in doubt, use a protective cloth or consult your dealer.
- AA) Forklift trafficable. In principle, the floors are completely trafficable and can be driven over by forklifts, but always consult your dealer for advice on the maximum loads allowed on your vehicle. Overloading will cause damage to the Cargo Floor system and the vehicle.
- BB) Always return emergency control(s) to their original non-activated position after use.
- CC) During the operation of the system, test the temperature of the oil by touching the side of the tank. If the oil is so hot that you cannot continue to touch the tank, switch off the pump to allow the oil to cool off and determine what is causing the overheating. Stop loading or unloading if the oil is too hot, as this will irreversibly cause damage to the Cargo Floor system and the other hydraulic components.
WARNING: TOUCHING OVERHEATED OIL AND COMPONENTS CAN CAUSE BURNS AND INJURIES!
Option: your Cargo Floor system could be equipped with an oil temperature safety switch which will switch off the system automatically when it starts to overheat.
- DD) During loading and unloading operations, the load should be spread to give an even weight distribution over the floor area, otherwise the load may stall. Tip: when transporting pallets, place softwood boards of 300 x 18 x 2350 mm. [12" x 0.75" x 92.5"] to distribute the pressure more evenly.
- EE) The constant pressing of the load against the head board or the doors can lead to extra wear of the complete system. Also the construction can be damaged. Please consult your supplier about the optimizing possibilities or in order to prevent problems occurring.
- FF) The user/operator/driver that is operating the Cargo Floor system is compelled to remain a safe distance from the Cargo Floor system at all times, from the time of switching on the hydraulic pump until turning it off. He should ensure that no dangerous situations can occur. When the process malfunctions or if other people are present he should shut down the Cargo Floor system, or hydraulic pump, immediately.
- GG) No unauthorized alterations/modifications/changes/adjustments may be made to any part of the Cargo Floor drive unit and system.

WARRANTY

Warranty is subject to prior approval by Cargo Floor B.V.! To request warranty coverage, visit Cargofloor.com to fill out and submit the warranty application form provided there; do not forget to include your Cargo Floor system number on the form.

EMERGENCY STOP

In the event of an EMERGENCY, operation of the Cargo Floor system can be halted as follows:

- By pressing the red stop button on one of the control switches;
- By turning all switches to position "0";
- By putting the handle of the control valve in the middle "0" position (only B and A control);
- Turning off the PTO pump/engine;
- Turning off the main switch of the power supply;
- Turning off the motor of the electro-hydraulic aggregate.

HOISTING INSTRUCTIONS

Attention!

If your system has been supplied with piston rod protection, this protection needs to remain put until the end of the mounting process. It may only be removed just before you hand over the trailer to your customer.



Warning!

It is not permitted to lift the Cargo Floor system by the cylinders, moving crossmembers, valves or pipes.

You must use the hoisting points when lifting the Cargo Floor system (as shown in figure 2). You need to pay particular attention that you use the right set of hoisting tools during lifting so that the bearings and conduits do not get damaged.

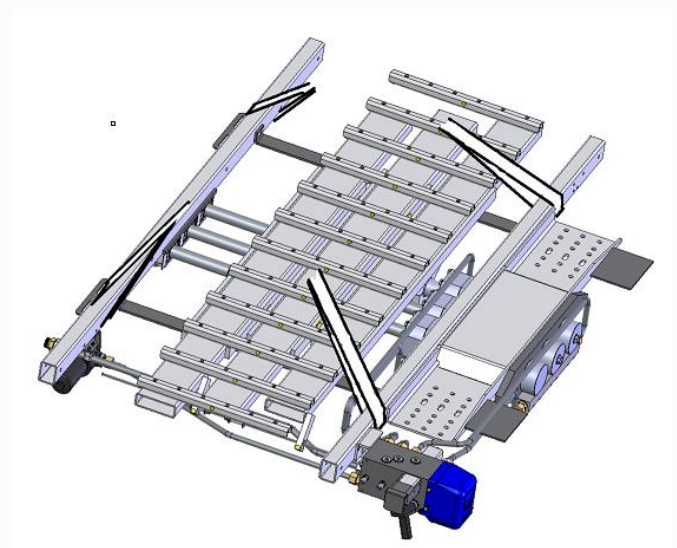
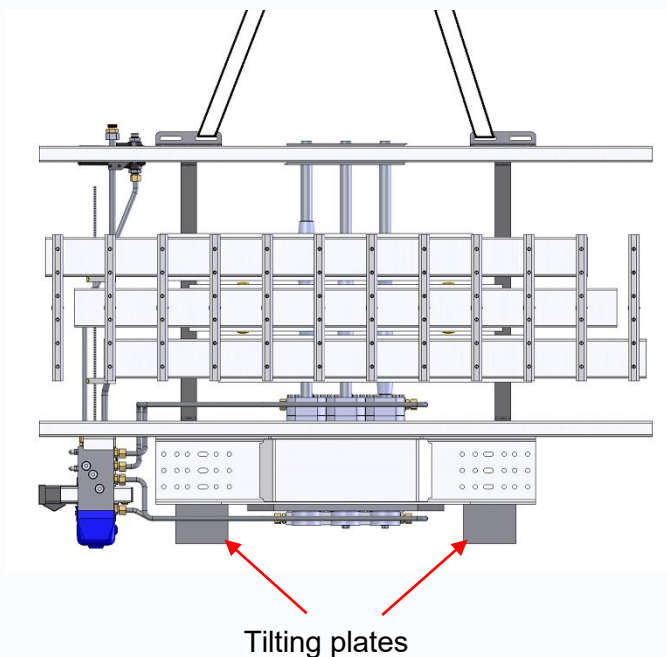
Systems supplied in transport rack

The tilting plates mounted at the rear bridge are designed in such a way that they prevent damages occurring to the cylinder bottoms, conduits and valve when tilting the system onto blocks or directly onto the chassis.

Systems supplied on pallet

The Cargo Floor system can be mounted directly on the chassis. Great care must be taken while placing the Cargo Floor system to ensure that the system cannot slide away and cause danger and that there is absolutely no damage caused to the system.

FIG. 2



THE CHASSIS

For the assembly of the **CF500 SLC Leak Resist* “Centre Drive”** system will we advise you in chronological order how you, in our opinion, could do this the best way. The build of the chassis and the assembly of the **CF500 SLC Leak Resist* “Centre Drive”** system is almost done the same way as the standard CF500 SLC system.

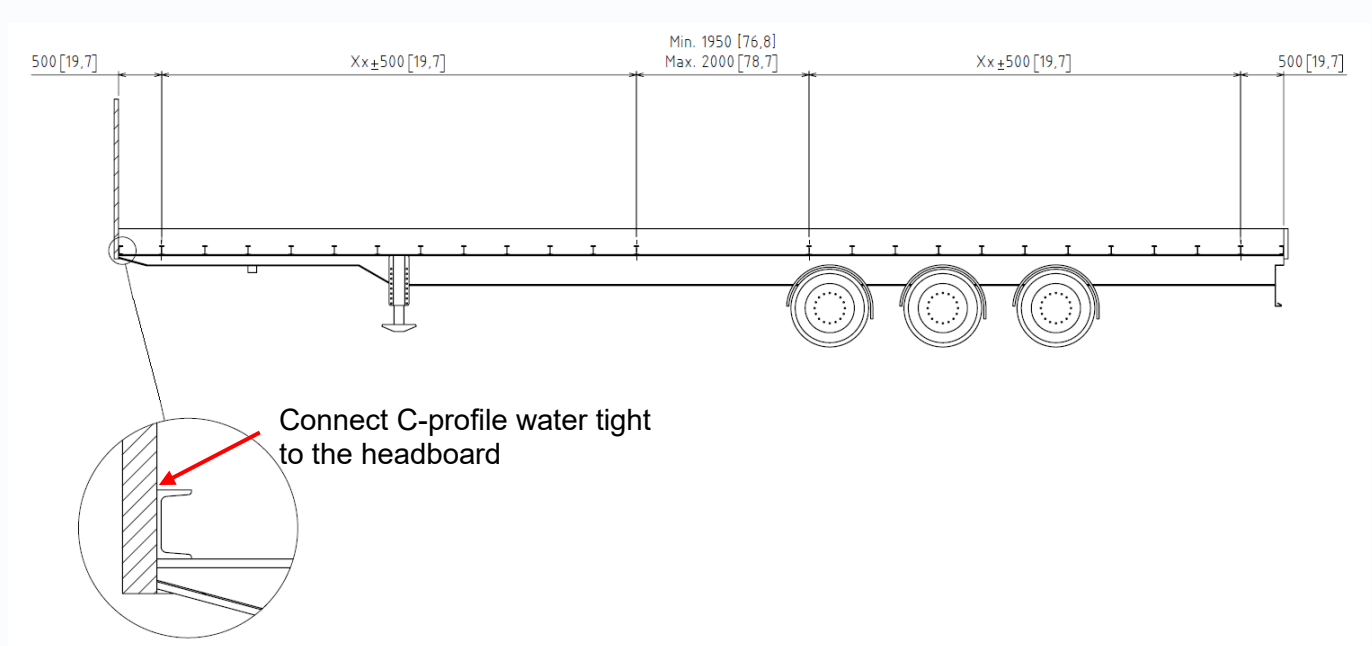
It's very important to ensure that, during the installation of the Cargo Floor system, the crossbeams are flat on the chassis. There must be no difference in height between the crossbeams, as this would hinder the installation of the system and adversely affect the operation and the lifetime of the Cargo Floor system.

⚠ Attention: the C-profile needs to be connected to the front wall side with a watertight connection at the headboard side.

We refer you to figure 4 for the positions of the crossbeams. Make sure that there is space free in the middle of the chassis for the Cargo Floor system.

On the chassis the distribution of the remaining cross members must be done so sufficient support from the floor is there and the wall can be supported. The minimal distribution we advise is mentioned in fig. 4.

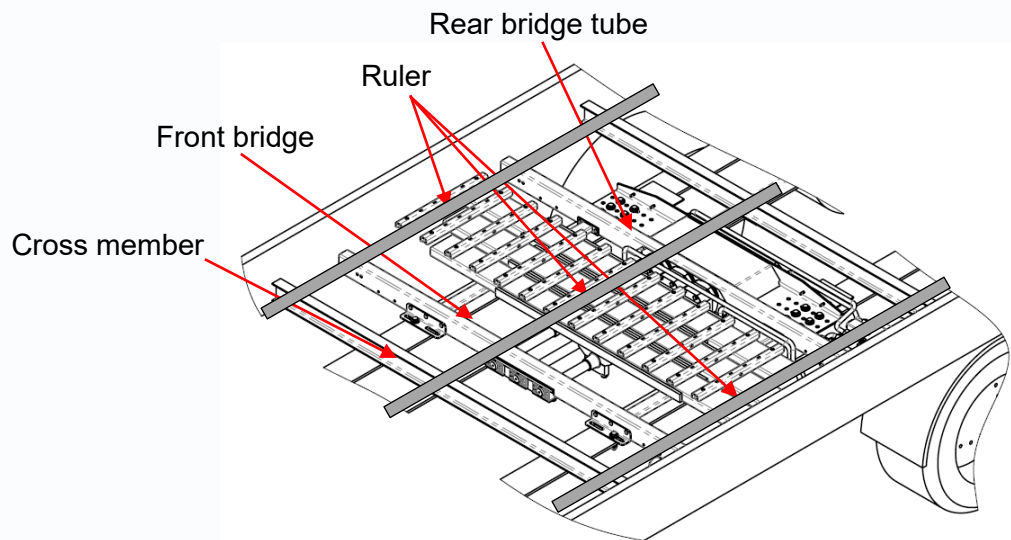
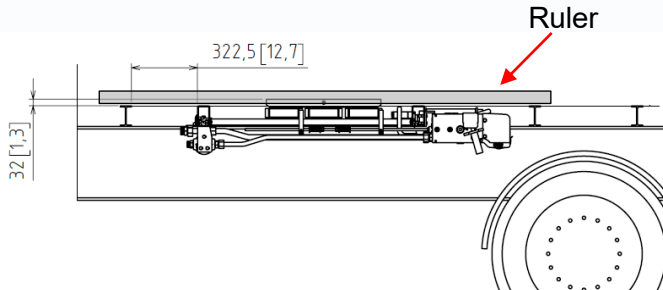
FIG. 4



POSITIONING THE SYSTEM

The [hoisting procedures](#) need to be studied before placing the CF500 SLC system. The CF500 SLC system can now be laid in the appropriate opening on the chassis / frame (see figure 5), **noting that the piston rods must always point in the head board direction.**

FIG. 5



HEIGHT CHECK AND ALIGNMENT OF THE CARGO FLOOR SYSTEM

Height check

The Cargo Floor system needs to be made to the right height. You need to check the height at three places with the help of a ruler between the fingers and over the cross members. The height of the top sides of the front and rear bridge tube of the Cargo Floor system is the same as the height of the cross members of the trailer itself.

Any spaces that have arisen between the chassis / frame and the underside of the Cargo Floor system should be filled.

Alignment

It is extremely important that the system later on gets exactly lined up with the plastic profile bearing. In order to place the system in the middle and straight the piston rod of the middle cylinder is used as reference.

The centre line of the middle cylinder (and also at the same time the middle u-profile of a 15 profile system) should run parallel with the centre line of the trailer itself. Tighten a string as reference for this centre line

It is advisable to clamp the Cargo Floor system securely once it is correctly positioned.

SECURING THE SYSTEM

After the Cargo Floor system has been correctly positioned it can be secured to the chassis by welding or by bolting.

Bolting (see fig. 7 and 8), mounting kit Cargo Floor (CF500/CF600)

The holes in the chassis should correspond with the mounting holes in the rear bridge and the front tube of the Cargo Floor system. 6 nuts per side need to be used on the rear bridge (see figure 7) and 1 nut per side in the so-called front bridge. This results in a total of 14 bolt connections. Each nut needs to be secured with a spacer and double nut (1x nut and 1x self-locking nut) (see figure 7).

All bolts must conform to the following specification:

14 pieces M16x80 ELVZ (DIN931-10.9) [5/8"x3.25"]. Quality 10.9. [grade 8].

14 pieces nut M16 [5/8"] Quality 10.

14 pieces lock/nut M16 [5/8"]

26 pieces washer Ø 30 / Ø 17, thick 3 mm (DIN125) [Ø 1.25" / Ø 0.75", thick 0.12"]

14 pieces spacer ST52-3 Ø 30 / Ø 17, length 20 mm [Ø 1.25" / Ø 0.75", length 0.79"].

8 pieces washer for heavy-duty slotted spring pin Ø 40 / Ø 17 x 6 zinc plated 200 HV

Where there is a slotted hole in the system, the washer for the heavy-duty slotted spring pin goes under the bolt head.

For an aluminium chassis we can advise, as an alternative to the spacers, to use a strip (thickness 20 mm [0.79"]) with corresponding hole pattern.


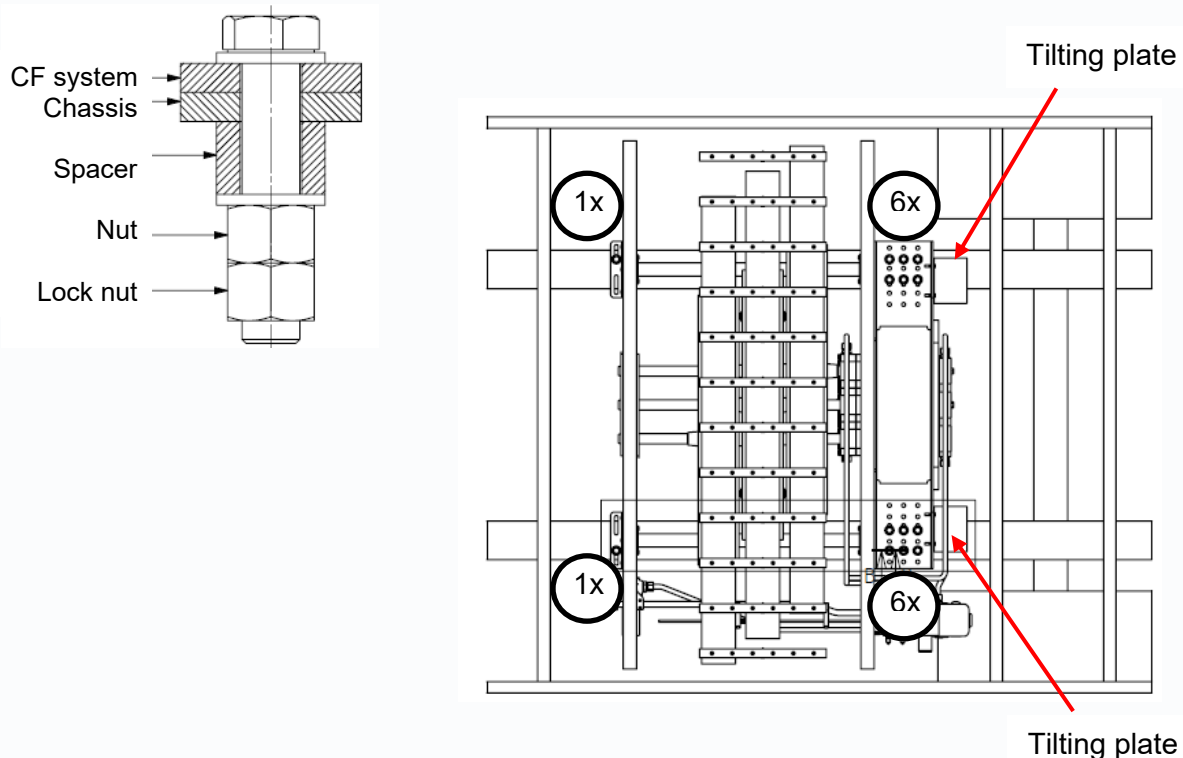
Torque of the M16 nuts is 300 Nm [215 lbf.ft].  **DO NOT LUBRICATE!**

FIG. 7



Welds (see fig. 8)

Good quality welds, of the appropriate lengths, need to be made at the points indicated in the drawing (figure 8).

The tilting plates (if present) at the rear side of the rear bridge need to be removed before welding the rear bridge to the chassis (figure 7).

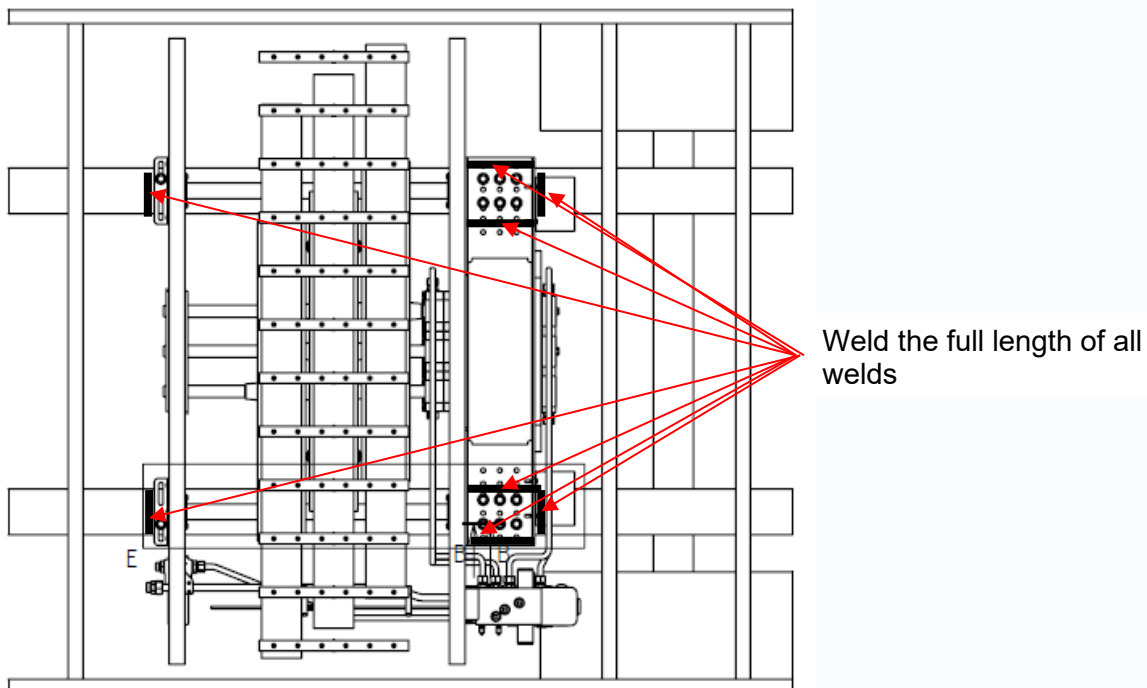
Use a weld width of min. $a = 10$ [$a = 0.5''$].

Bracing of the Cargo Floor system is not necessary.

Attention!

If the sub frame is zinced (option) the surfaces that need to be welded should have the zinc coating removed.

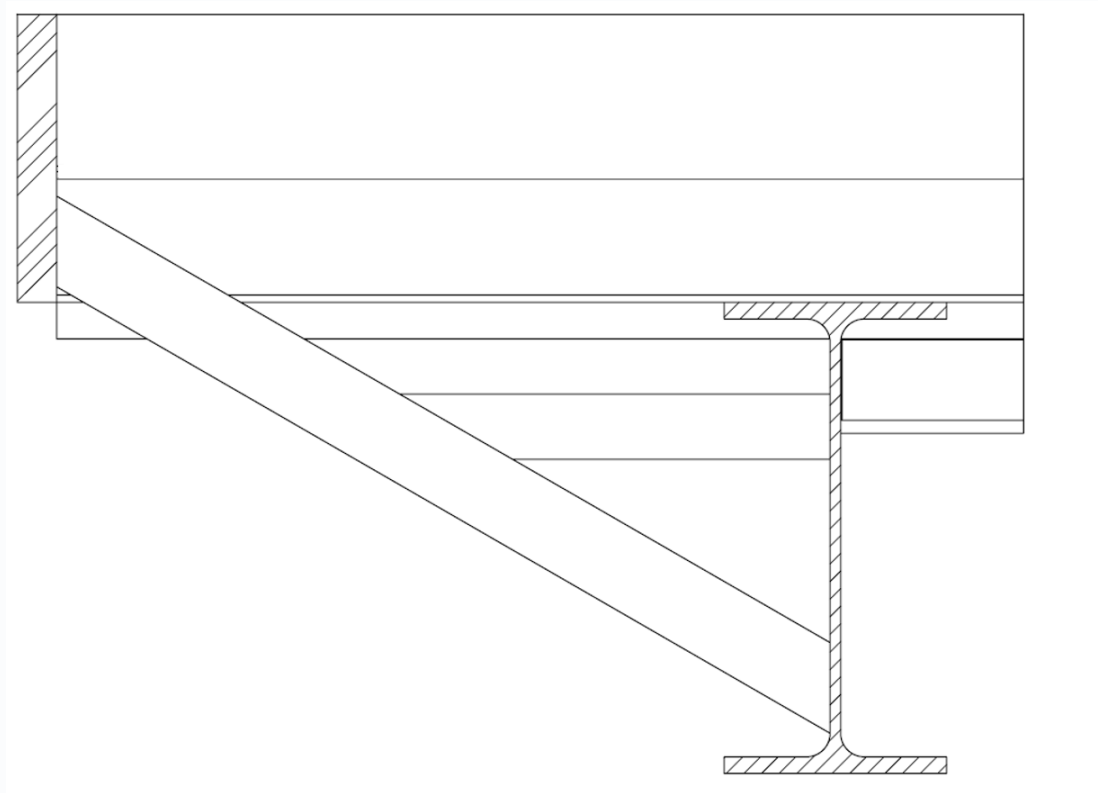
FIG. 8



BRACING THE SIDE WALLS

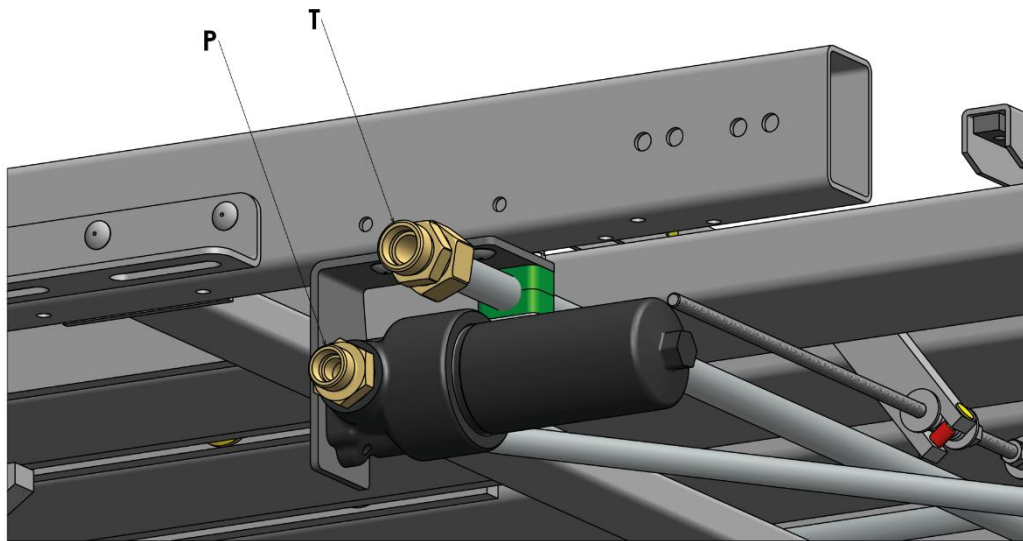
The sidewalls of the Cargo Floor system are not supported since no crossbeams are used. This can lead to buckling of the sidewalls when the system is heavily loaded. This can be avoided by fastening the sidewalls to the chassis. Figure 9 shows how this can be done.

FIG. 9



CONNECTING THE HYDRAULICS

FIG. 10



The Cargo Floor system is supplied as standard with a pressure filter already mounted on the front bridge, see figure 10. There is a hydraulic pressure pipe ($\varnothing 20 \times 2$ feed through 16 mm) already mounted from the control valve to the pressure filter. The 'in' channel of the pressure filter is provided with a straight screw-in coupling 1" x 20 mm. (Other types of couplings are optional) Next to this is a hydraulic return pipe ($\varnothing 25 \times 2,5$ feed through 20 mm) mounted from the control valve to the front bridge, ending in a straight connecting coupling 25-25 mm. You can connect the required hydraulic hoses (not included in delivered package) directly to these connectors (the supplied turnbuckles and cutting rings are not required then). If you mount a hydraulic pipe instead of hydraulic hoses then you can use the turnbuckles and cutting rings.

⚠ Important: connecting pressure and return wrongly will cause a malfunction, and damage to, the system.

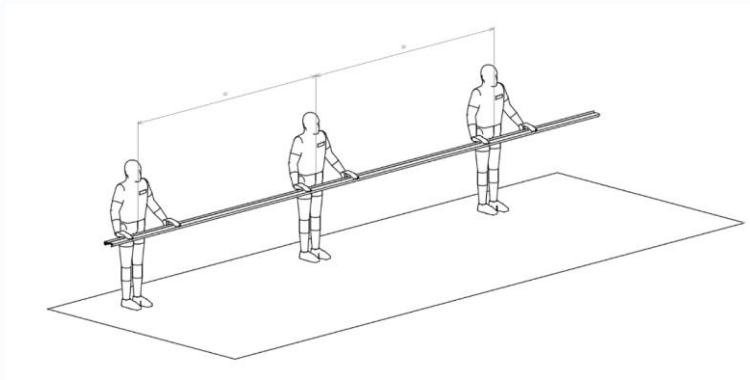
All hydraulic components need to be carefully cleaned before being connected, making sure that no sealing caps / cleaning wads are left behind.

Try to use as few (square-)angled couplings as possible (as these cause pressure loss, or build-up of return pressure).

After connecting the system it may not be operated. Operation may only be done at the moment that the trailer and floor have been fully built!!!!

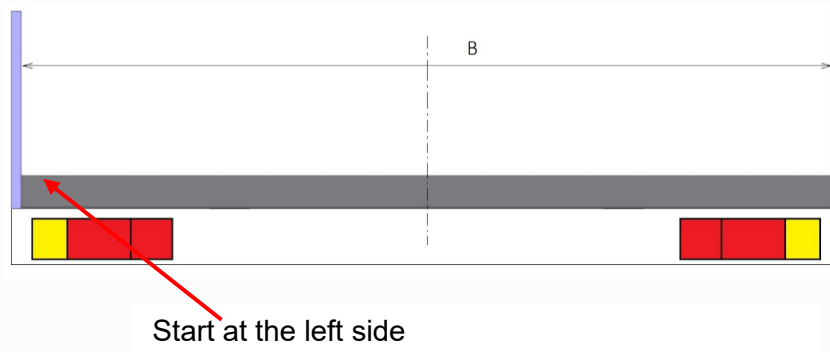
PREPARING THE PROFILES

FIG. 14



During the following activities and preparations you must take into account that the underprofiles as well as the top profiles are handled in such a way that the profile will not bend or be damaged in any other way. We advise to move or tilt the profiles with the help of at least three people.

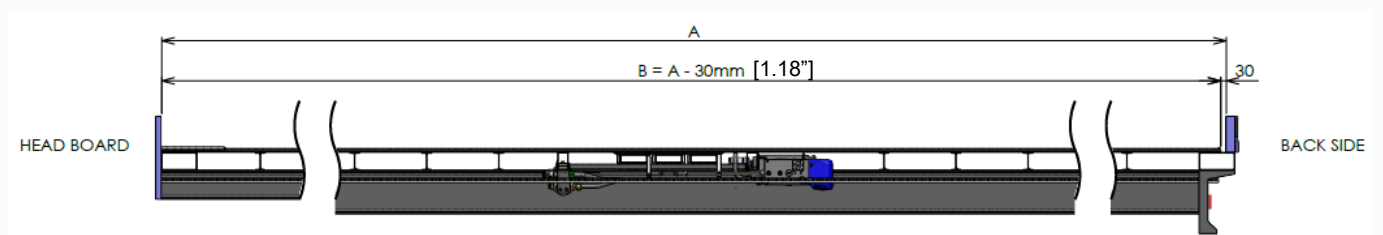
FIG. 15



The assembly of the floor will have to take place from the left to right.

DETERMINING THE LEAK PROOF SUBDECK LENGTH

FIG. 16



The length of the T-subdeck is determined by the space in the trailer. If possible the measurement from the inside of the head board till the inside of the doors will be leading. We call this measurement **A**. 30 mm [1.2"] will be deducted from this measurement in order to leave room free at the doors. This we call measurement **B**.

⚠ Attention:
If you have anything protruding on the head board or on the doors at the height of the subdeck you need to take this into account with the determining of the length.

CUTTING OUT THE OPENINGS IN THE LEAK PROOF SUBDECK

At the place of the system parts will have to be cut out of the Leak Proof subdeck profiles through which the u-profiles will protrude.

⚠ Advice
place the Leak Proof subdeck profiles in the direction as it will be built in. The building in of the floor needs to be done from left to right. It is therefore very important to take care of that the Leak Proof T subdeck profiles are placed in such a way that at the future rear side of the floor the convex is on the left and the support lip is on the right.

FIG. 17

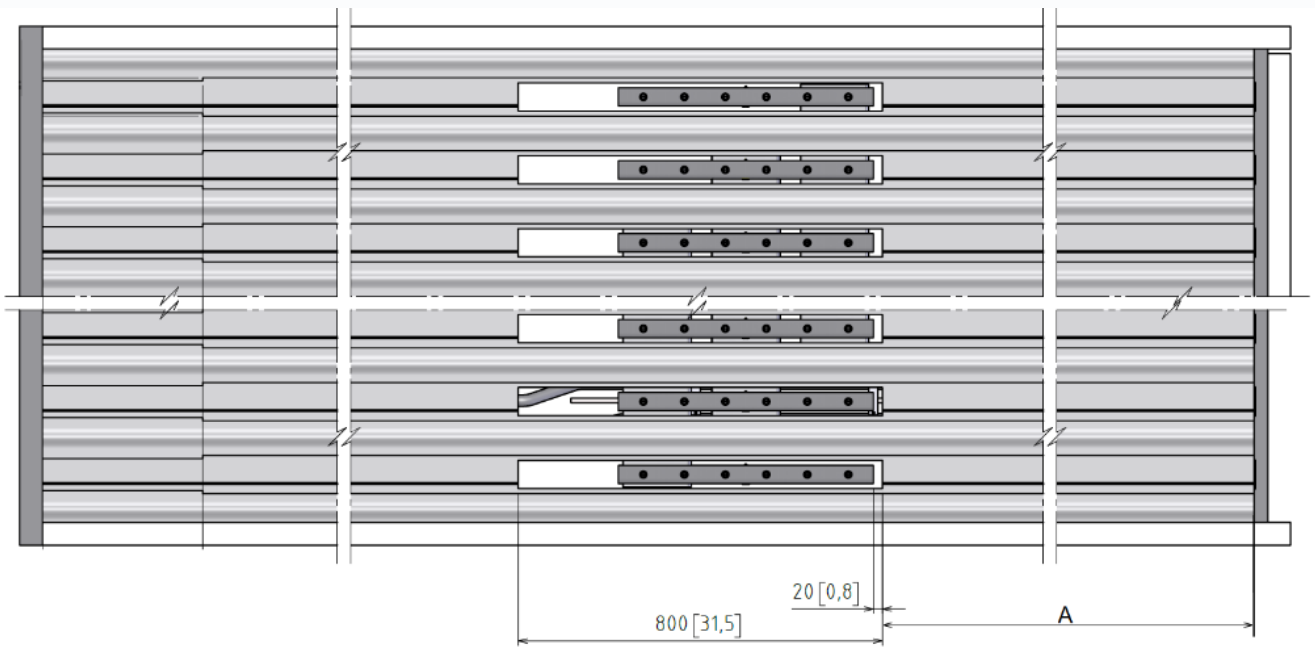
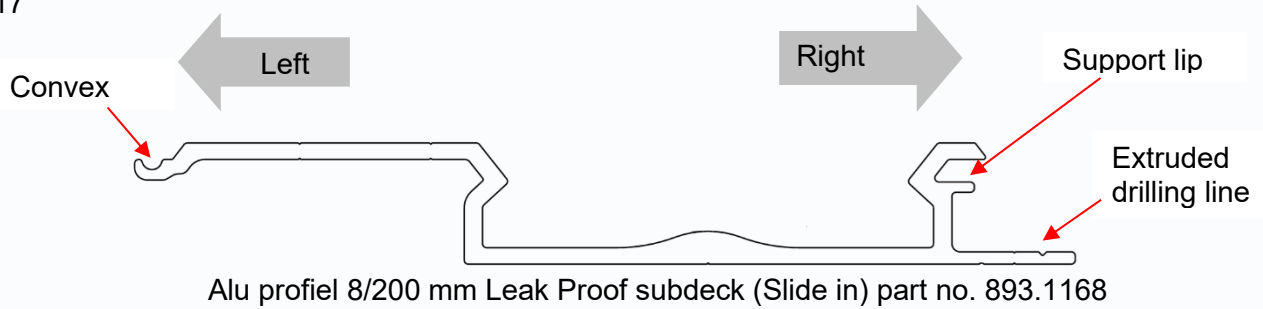
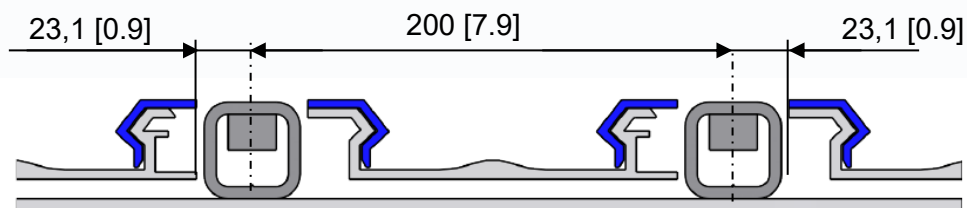


FIG. 18



For the position of these openings in the Leak Proof subdeck profile you can use the measurements in fig. 19 A and 19 B. With the left **side** profile a cut away only needs to be made on the right side and with the right **side** profile a cut away only needs to be made on the left side. All the other profiles need a cut away on both sides. Position and length of the cut away are the same for every under profile.

FIG. 19 A

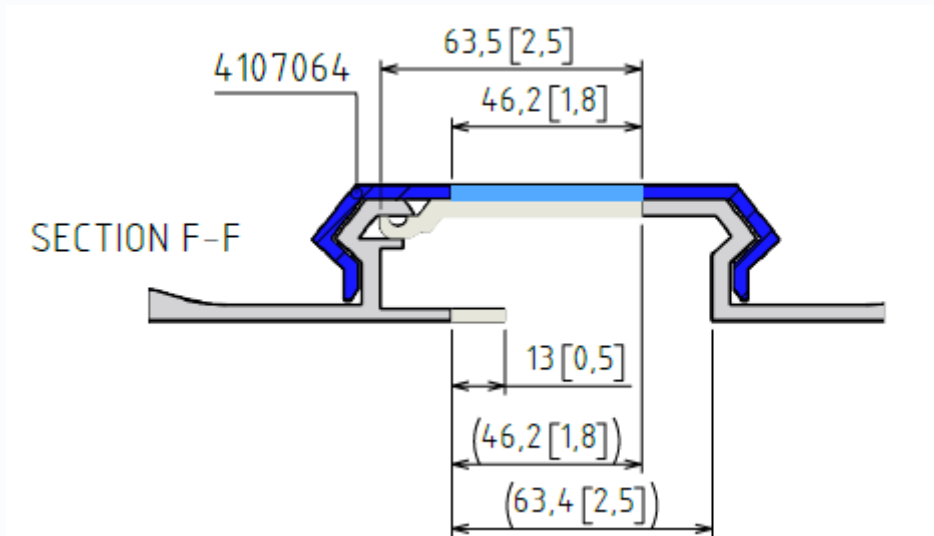
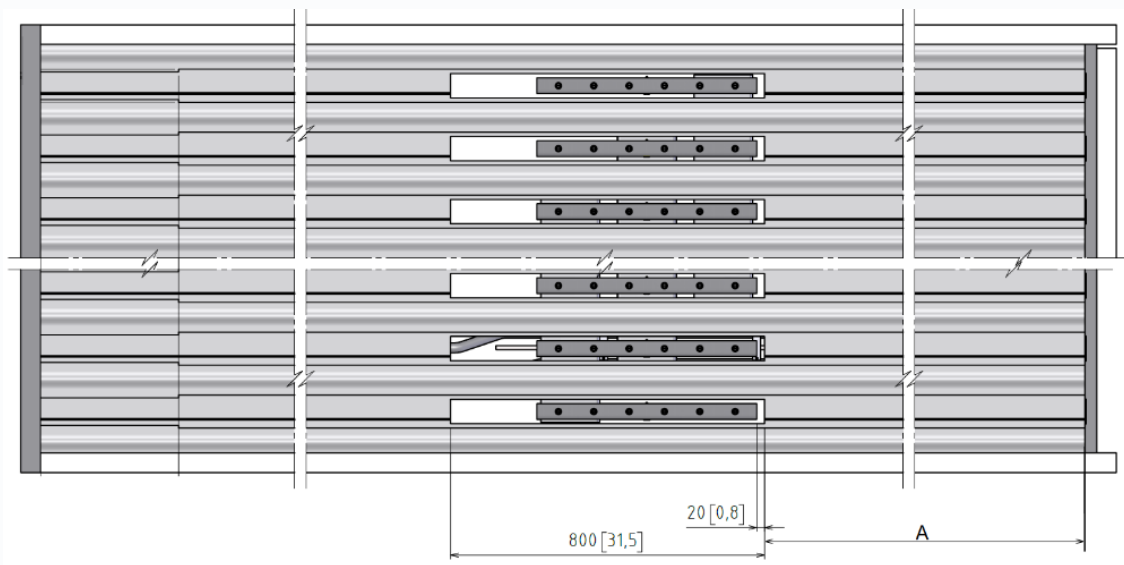


FIG. 19 B

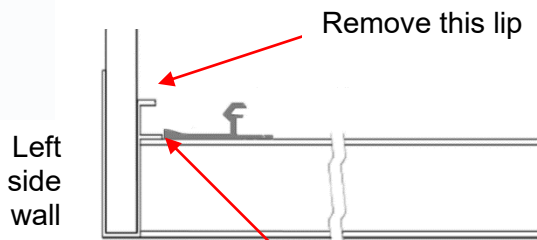

Attention

After taking out the parts that were cut out of the profiles, the profiles will be weaker at this point, pay attention to [fig. 14](#) in order to prevent bending.

Now the width of the **left** side profiles need to be determined. The method to do this is displayed in fig. 21 B. Pay attention to your under wall profile, this could possibly be an obstacle when determining the width, see fig. 20.

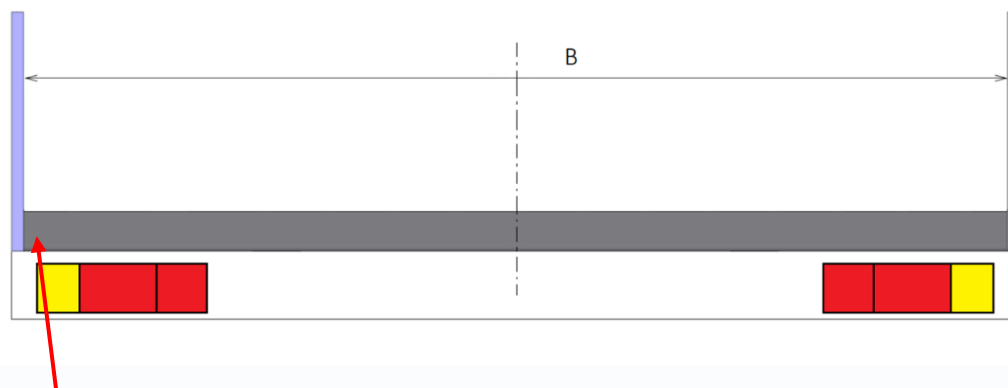
! For the calculation, it is important to determine beforehand if one will use sealant or weld the borders to the walls. The choice can affect the width of the seam to the wall. It is further important to realize that the seam between under floor and wall needs to be watertight. The method you choose is not determined by Cargo Floor.

FIG. 20



This lip needs to be taken into account with the width and the length of the subdeck profiles!!!

FIG. 21 A



Start with mounting on the left side

FIG. 21 B

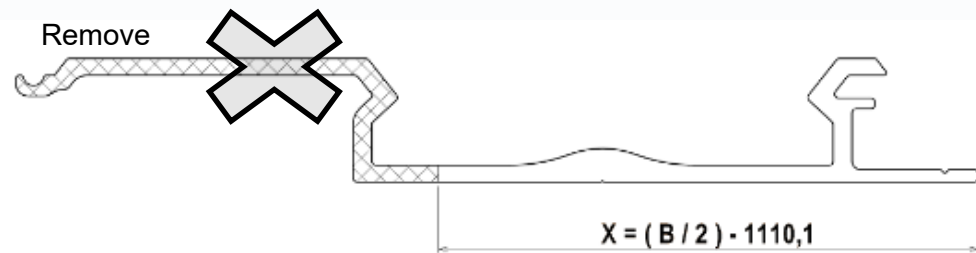
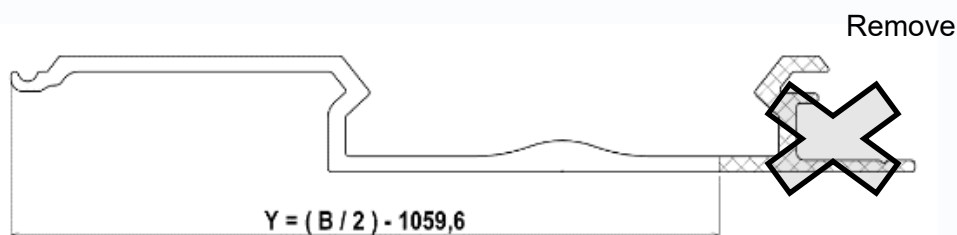


FIG. 21 C

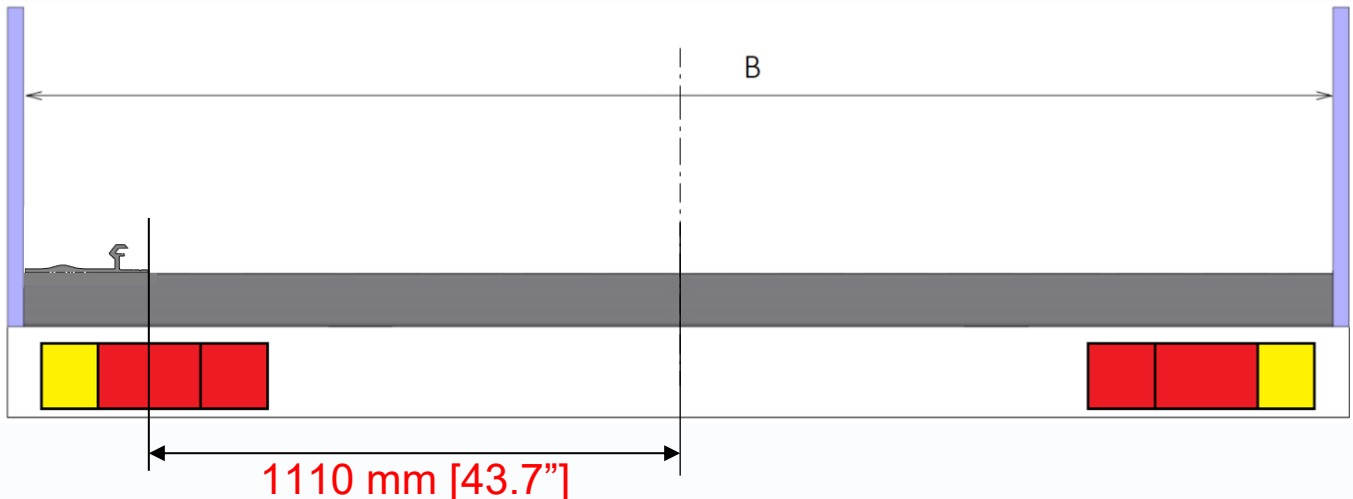


You divide the available room (pay attention to the obstacles and the chosen seam width) between the walls by two and deduct for the left profile 1110 mm [43.7"] from this value. The value that remains is the width of the left side profile.

The best thing to do with determining the width of the right side profile is to do this after mounting all the other floor parts. By doing this you prevent that the actual size is different from the theoretical due to the application of various tolerances. We did however put a theoretical measurement in fig. 21 C.

The first profile that needs to be mounted is the lengthwise sawed through side profile. These should be mounted at the 1110 mm [43.7"] measurement from the centre line of the trailer. Do check this measurement very meticulously at various places before fixating the profile. If this profile is not positioned properly it will affect all the other profiles as well.

FIG. 22



After placing the side profile it can be fixated. In order to prevent moving of the profile during fastening you can fixate the profile temporarily at several places by using glue clamps.

Now you can fasten the side profile to the cross members. You can do this with self-drilling bolts, monobolts, nails for a nail gun or welding (see fig. 23). Ask your supplier of fastening materials for advice of possible alternatives. We do not advice rivets fully made of aluminium, these are not strong enough. Only rivets with a steel core are suitable (so called monobolts).

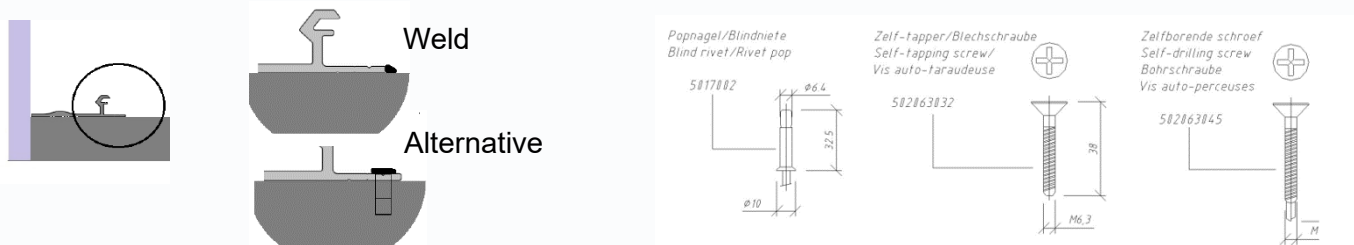
In the profile a drilling line has been extruded so you easily can determine the centre of the hole that needs to be drilled. Fasten the profile to every cross member.

Welding the profile needs to be done with a weld with a length of minimal 30 mm [1.2"] and with an a=3.



The fixation of these under profiles will be under greater strain as the chassis is more flexible. Please take this into account when fastening.

FIG. 23



Check after fixation of this profile the measurement to the centre of the trailer again. The position of this profile is very important because is the reference for all the other under floor profiles. Now the other profiles can be mounted.

SECURE THE OTHER UNDER FLOOR PROFILES

The next under floor profile can now be mounted with the convex in the support lip as shown in fig. 25. There are 2 methods to connect the under-floor profiles to each other: with sealant or welding.

Method 1: sealant

Apply sealant on the support lip (fig. 24 A) of the floor profile that already has been mounted and the convex of the profile that needs to be mounted (fig. 24 B). The sealant should come well above the cavity of the convex (about 5 mm) and is applied over the full length of the floor profile, except the first 50 mm [2"] on the headboard side and the last 50 mm [2"] at the door side (fig. 25, the first and last 50 mm [2"] will be welded shut). A sealant you could use is Sika 252. Please follow the instructions (for pre-liminary treatment/preparations and in which situations it can be used) given by the supplier/maker for the sealant you choose carefully. About 425 ml sealant per under floor profile will be needed. In addition, of course, the necessary cartridges for sealing the sealing plate on the headboard and sealing the profiles at the location of the rear platform.



Attention!

Always keep the cure time of the sealant in mind.

Before fitting the profile, a strip of sealant should be applied to the rear portal in the area of the profile to be fitted.

After this the two profiles can be slid into each other, it could be that you need to use clamps to get the two profiles to go towards each other. Check that the profile is correctly positioned using the 3 positioning jigs (parts no. 9112013), whereby the profiles must lie against the vertical fitting surfaces of the positioning jig. With these jigs one can, at various places, check if the convex and the support lip have gone correctly into each other (fig. 26 and 27).

When this profile is placed correctly, it also can be fastened to the cross members. You can do this with self-drilling bolts, monobolts, nails for a nail gun or welding (see fig. 23). Level of the protruding sealant and there where necessary fill up the top V groove so it is fully filled.

After you have fastened all the under-floor profiles to the cross members you can weld the 50 mm on the front and back side shut. The weld may not protrude the top surface of the slide in profile because of the bearing that still needs to be mounted (see fig. 28). If the weld does protrude it needs to be ground of and finished smoothly. After welding and smoothing you need to check all welds and fill seams/holes between sealant and weld with sealant, so the floor is fully sealed off (here to level off protruding sealant).

FIG 24 A

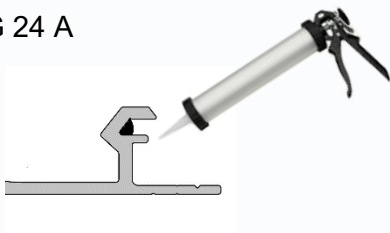


FIG 24 B

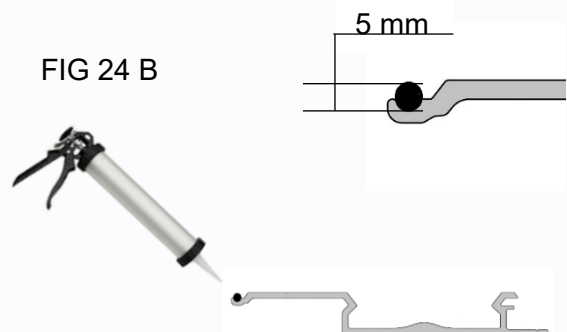
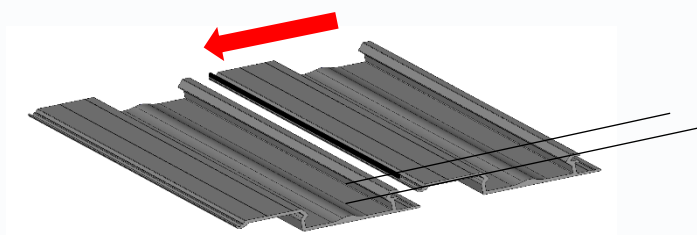


FIG 25



50 mm at the beginning
and end: **no sealant**

FIG. 26

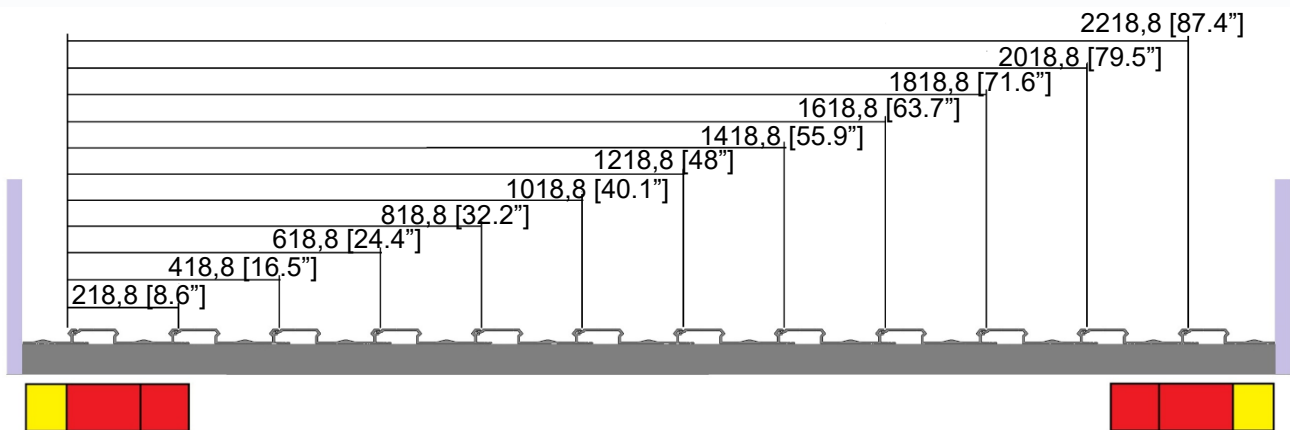
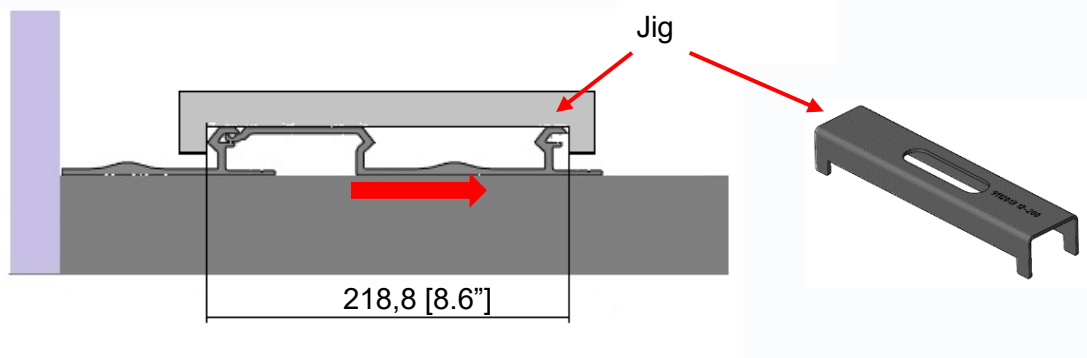


FIG. 27



Slide in the profile and then pull it against the vertical lips of the mould.

Method 2: Weld



Attention!

Do not use sealant when choosing to weld the profiles, gases could form, causing the weld to leak.

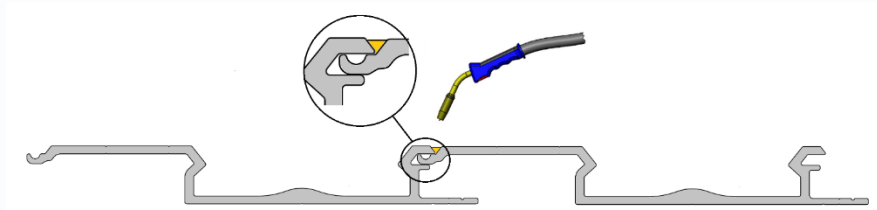
Slide the next under floor profile in its position. When doing so, pay attention to the free space in the convex. Pull out the profiles so that they lie against the vertical fitting surfaces of the mould.

Check the measurements (fig. 26 and 27) and fasten it to the cross members. When this profile is placed correctly, it also can be fastened to the cross members. You can do this with self-drilling bolts, monobolts, nails for a nail gun or welding (see fig. 23).

Now weld the whole v groove shut over the full length.

The weld may not protrude the top surface of the slide in profile because of the bearing that still needs to be mounted (see fig. 28). If the weld does protrude it needs to be ground off and finished smoothly.

FIG. 28



FINISHING THE EDGES OF THE UNDER FLOOR

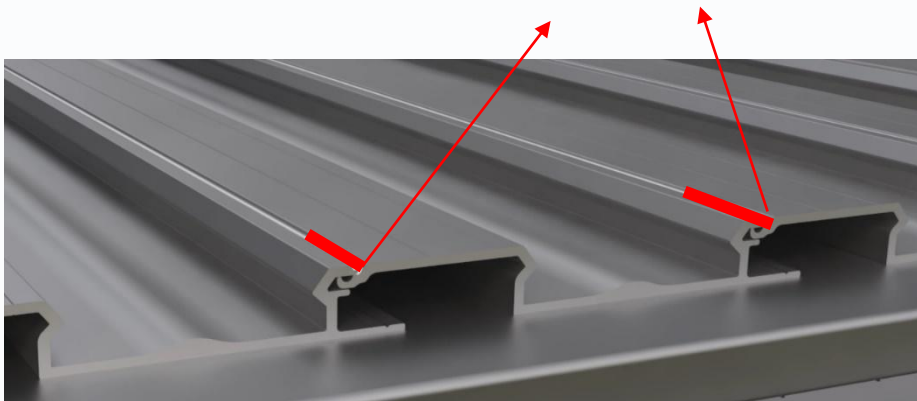
When the complete mounting of the under floor has been done one needs to take care of making a watertight connection all around the floor between the under floor and the other components of the trailer. All seams and openings need to be closed by using sealant or welded shut.



**You start by welding the aluminium end cap (article number 5467006) on the back over the opening of the subfloor.
You also weld shut the first 50 mm [2"] of the V-groove, which must be finished smooth afterwards.**

FIG. 29 A

V-groove 50 mm [2"] weld and smooth finish



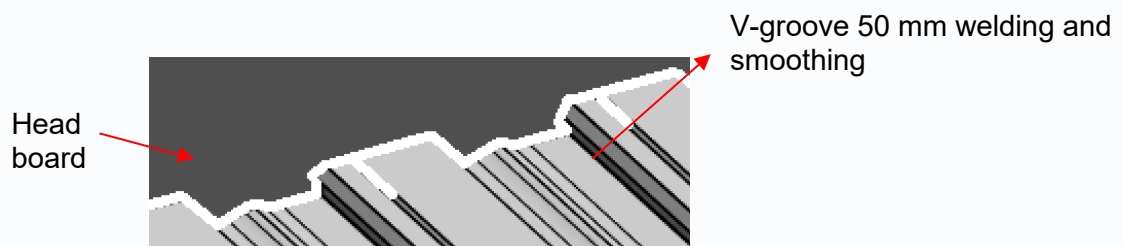
After sealing the T-profile, the entire rear seam can be welded, or glued, from the subfloor to the rear beam (fig. 29 B).

FIG. 29 B



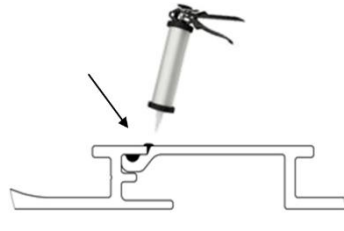
On the headboard side, the subfloor can be welded, or sealed, by following the contours (fig. 29 C). Also, the V-groove the first 50 mm [2"] from the headboard should be welded closed and finished smoothly.

FIG. 29 C



Now the seam between the side profiles and walls can be welded or glued. After sealing all subfloor profiles all around, the seam on top of the convex will have to be checked to see if it is sufficiently sealed. The seam may need further sealing in some places, see fig. 30.

FIG. 30



ASSEMBLY OF THE END STOPS AND PLASTIC GUIDE PROFILES

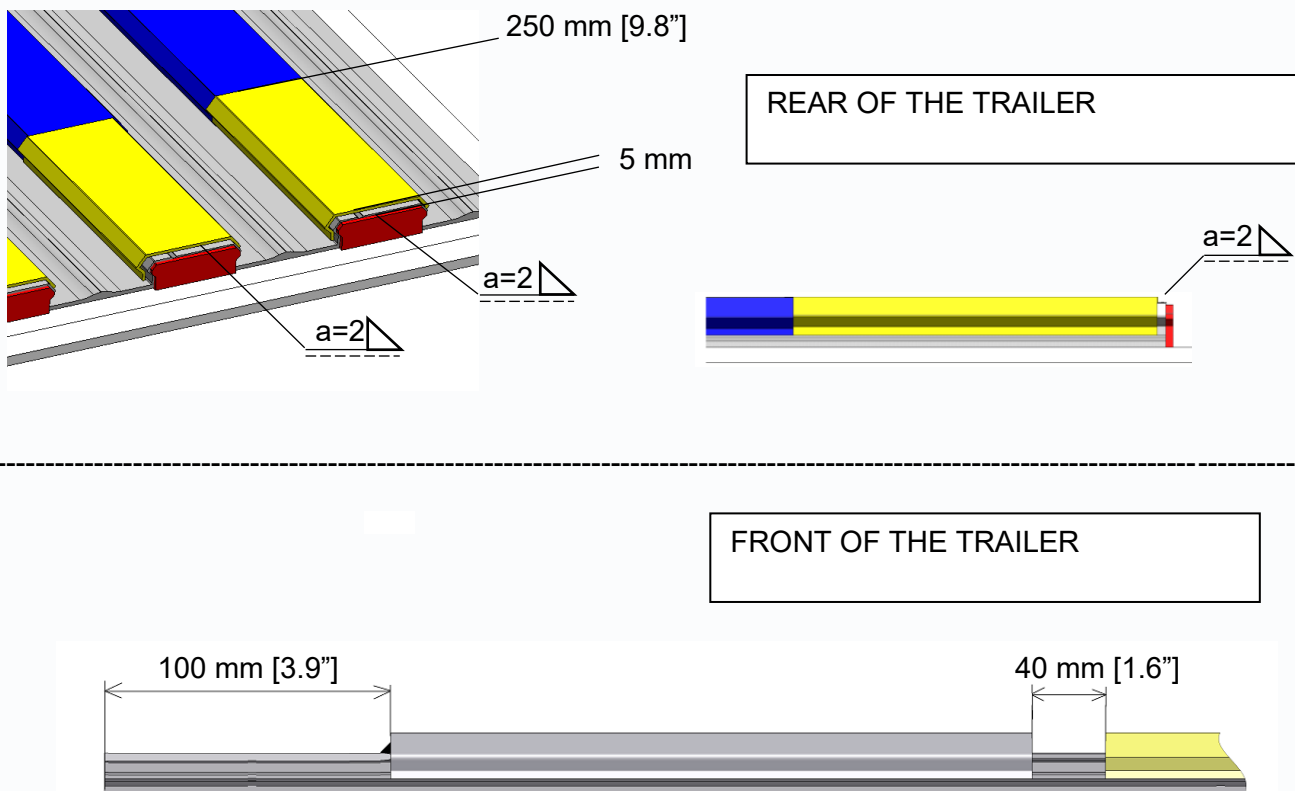
Mounting end stops



Due to the thin and special shape of the aluminium end cap, it can be fitted from above. Lay the aluminium end stop diagonally across the subfloor and then kick the end stop over the subfloor with your foot (see also mounting plastic guide profile).

After mounting and finishing the subfloor, you can start assembling the aluminium end stops LP/LR for aluminium subdeck profile 8/200 (250 mm [9.8"], part number 5448029). The aluminium end stop is mounted on the headboard side and on the door side. First, an aluminium end stop is welded at a distance of 100 mm [3.9"] in front of the headboard, this allows space to weld it to the subfloor. The end stop on the headboard side should be welded with a weld $a=2$ to the subfloor. Then the end stop on the door side can be welded in place, see figure 31.

FIG. 31



Mounting the plastic guide profiles

After fitting and finishing the aluminium Leak Proof subdeck, you can start fitting the plastic plastic guide profiles (part no. 4107064). The plastic guide can be simply clicked onto the Leak Proof subdeck from above, by pressing it down with your foot. Due to the expansion and contraction of the plastic guide profiles, an opening of approximately 40 mm [1.6"] should be maintained on the headboard side. Then cut the opening 46 mm [1.8"] wide and 800 mm [31.5"] long for the fingers in the plastic guide profile. This can be done with a sharp knife and or grinder with a thin disk, for example.



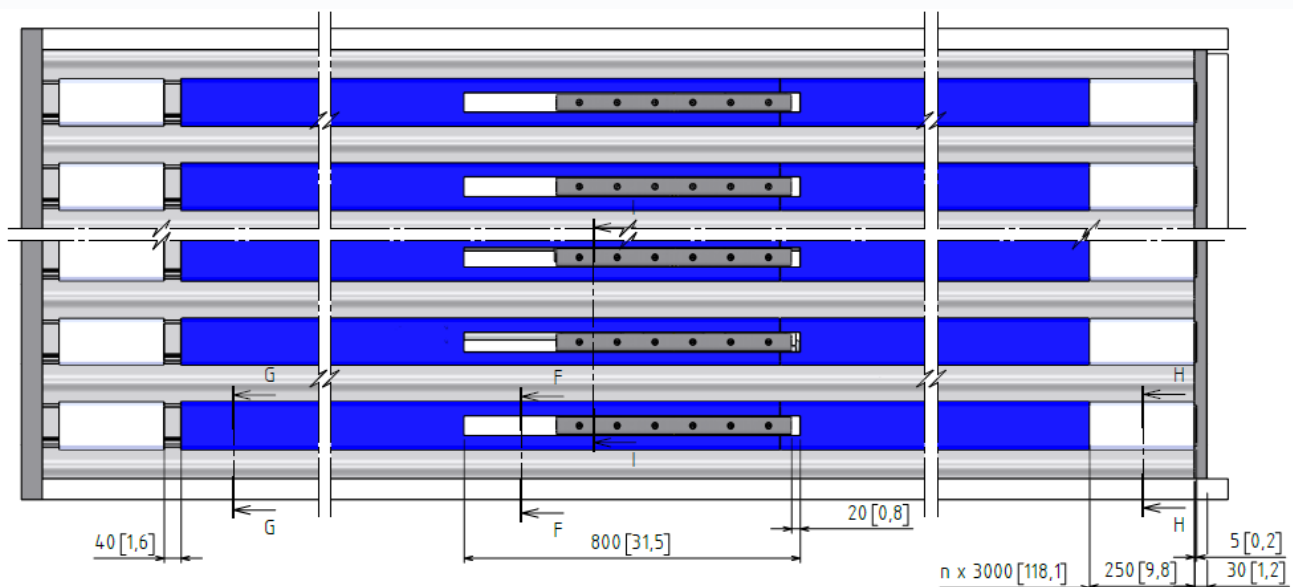
Attention!

Clean the aluminium subdeck of chips and other materials before fitting the plastic guide profiles to avoid inclusion of contamination under the plastic. This can complicate the assembly of the profiles.



Attention should be paid to leaving a 40 mm [1.6"] gap between the end stop and the plastic guide profile on the headboard side. This gives room to the bearing due to the expansion of the plastic as a result of temperature differences.

FIG. 32

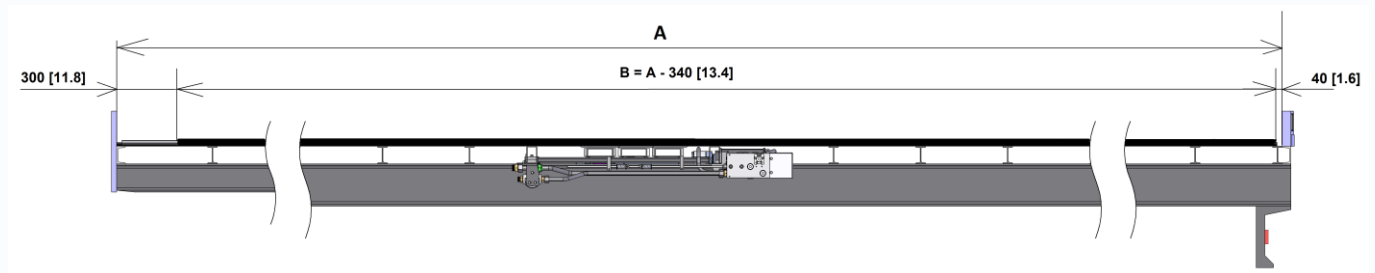


DETERMINING THE LENGTH OF THE TOP PROFILE

When calculating the length of the Leak proof deckslat floor profile you need to use the following calculation.

You measure again the inner length of the trailer (length A). Deduct the stroke length of the cylinders (-200 mm [7.9"]). Next to this a space of 100 mm [3.9"] in the direction of the head board must be kept clear (in order to prevent material getting squeezed). The space to the doors needs to be 40 mm [1.6"] This results in the following equation: $A - 200 - 100 - 40 = A - 340$ mm [$A - 7.9'' - 3.9'' - 1.6'' = A - 13.4''$]

FIG. 34



DRILL MOUNTING HOLES IN THE PROFILES

The profiles need to be fastened with **6 bolts**.

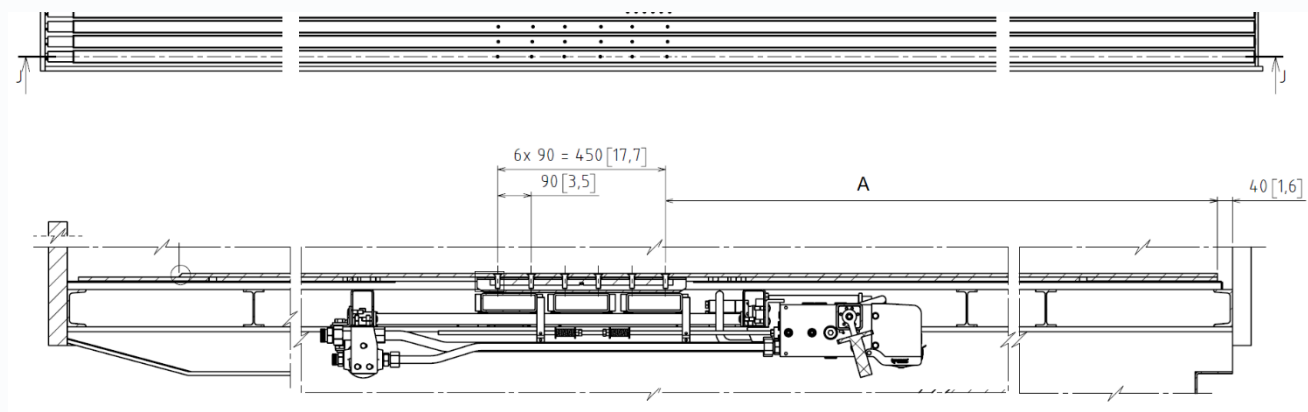
First you need to determine the holes in the profiles, see fig. 37.

Check if all the cylinder are completely pulled in. You can check this as following: the piston rods may not protrude more than 5-10 mm [0.20-0.39"] out of the plastic bearing block.

The position is determined by measuring from the inside of the door till the first hole of the u-profiles. Deduct this measurement with 40 mm [1.6"] and you have determined measurement A. Mark the spot of this first hole on the top side of the 12 profiles.

FIG. 37

Cilinders fully retracted



DRILLING THE HOLES IN THE FLOOR PROFILES

The holes in the floor parts need to be drilled before these are placed. One needs to pay attention to the fact that the holes must be drilled staggered due to the differing distances of the moving frame feet in the drive system (see figure 37).

- Drill 6 holes of $\varnothing 4.5$ mm [0.18"] with the aid of the drill jig (fig. 38) on the top side of the floor profile ensuring the centre of the holes line up with the reference line. Then bore out the holes, from the same direction, to about $\varnothing 12.5$ mm [0.5"]
- Next the holes need to be countersunk from the top side using a good countersink bit according to the specification G136 HSS DIN 335 C, code 13628.0 (figure 39) Make sure that the hole is countersunk to the right depth; the bolt head must not stick out above or under the floor profile. See figure 40.

FIG. 38

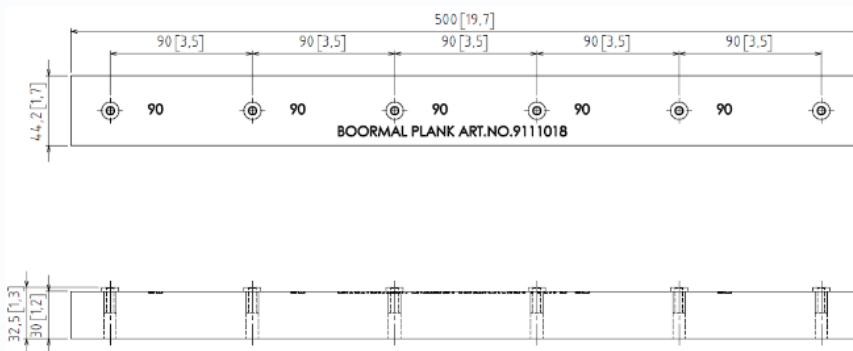


FIG. 39

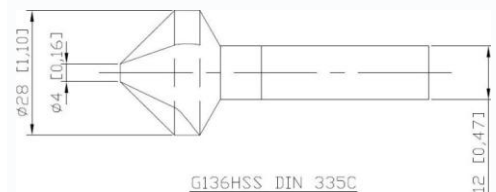


FIG. 40

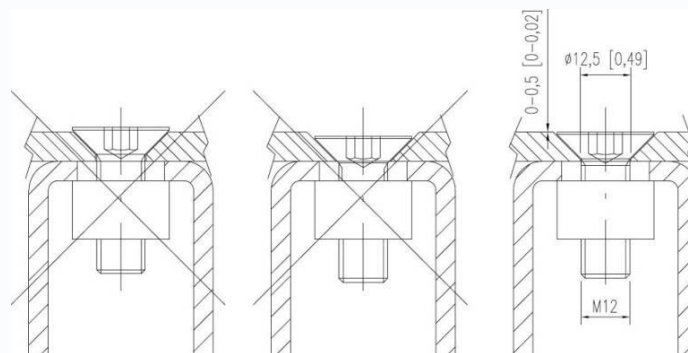
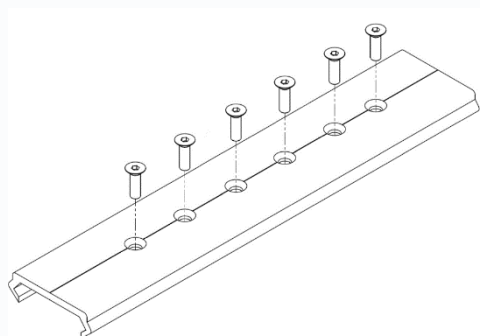


FIG. 41



SECURING THE FLOOR PROFILES TO THE DRIVE UNIT

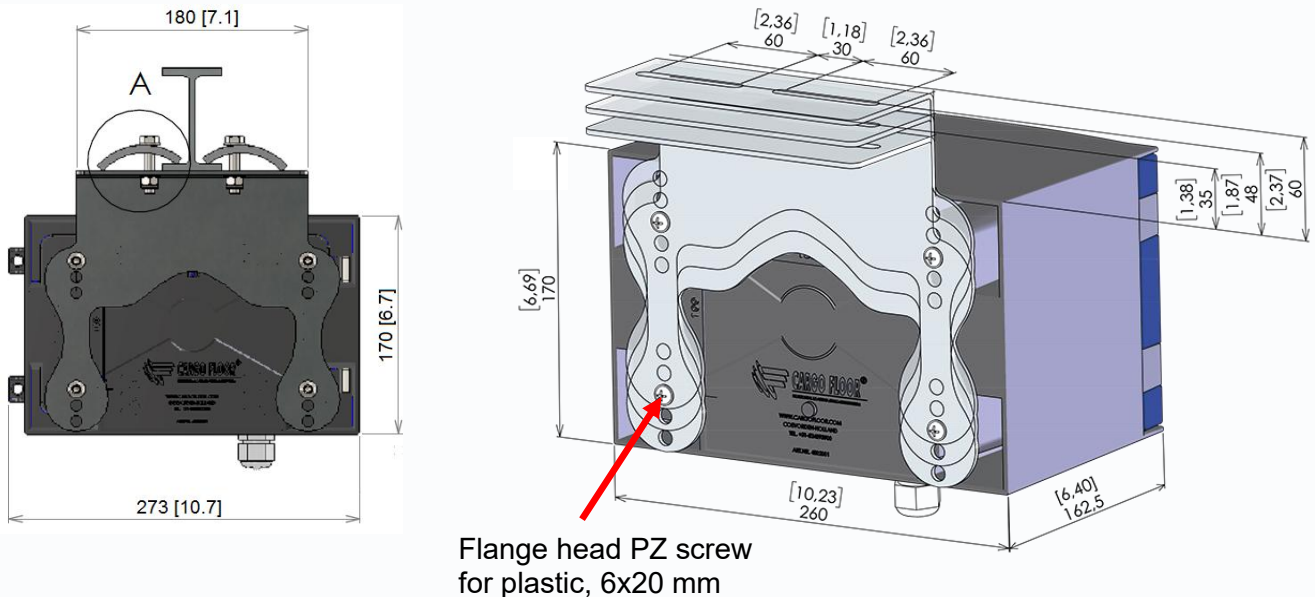
After this the profiles can be slid over the plastic bearing. You need to carefully guide the floor profiles during the mounting procedure. Next, mount the provided hexagon socket countersunk head screw M12 x 30 (art.no 502112030.1) using Allen no. 8. Each profile needs to be fastened with 6 bolts. The torque is 100 - 140 Nm [72-105 lbf.ft.]. One person can do this from above, and the bolts need to be well tightened.



Every bolt should be fitted with Loctite (Loctite 243 cat.o. 23286 screw thread locker).

MOUNTING THE CONTROL BOX AND THE ELECTRICS

The control box can simply be mounted, without drilling holes, to your own mounting construction or on the mounting bracket that can be supplied as an option. This mounting bracket can, depending on the shape of the cross members, be mounted without drilling holes with the supplied clamping plates. The mounting bracket has three heights for mounting the control box. Also the, optional, wireless remote control RX/TX can simply be mounted into the control box, with the E-control as well as the B-control.



E-control

With the E-control the controlbox CF7 is provided with 3 electrical cables:

- A two-core connection cable for the power supply. The brown cable needs to be connected to the 24V+ and the bleu cable to the 24V-.
- A two-core cable with premounted black plug Deutsch for solenoid GS02 on/off;
- A two-core cable with premounted grey plug Deutsch for solenoid G02 unloading/loading;



B-control

With the B-control the control box CF3 is provided with 3 electrical cables:

- A two-core connection cable for the power supply. The brown cable needs to be connected to the 24V+ and the bleu cable to the 24V-.
- A two-core cable with premounted black plug Deutsch for solenoid GS02 on/off;
- A two-core cable with premounted grey plug Deutsch G02 equipped with a watertight end cap and sticker "do not cut".



It is important that the watertight plugged cable with the grey plug is brought to the control valve, but not can nor needs to be connected. This cable and plug need to be fastened somewhere near the control valve. The mounted watertight plug may not be removed.

THE MOVING HEADBOARD

The moving headboard can be made from sidewall profiles reinforced by an edge profile. It is also possible to use a frame with a tarpaulin as a moving headboard. It is the best to hang the headboard on two Cargo Rollers, Heavy Duty, 6 wheels with bi-directional cleaning device in the rails (part no. [5165003](#)), see figure 31A, mounted on the top edge of the trailer. Many aluminium top edges have this rail already integrated.

Mount the rails at the same width as the width of the trailer. The moving headboard needs to be fastened to the Cargo Roller with at least 3 chains links and make sure the hanging point of the headboard is directly beneath the roller so that the headboard can move freely and the Cargo Rollers won't jam. Let the moving headboard run free on both sides of the side walls, about 25-30 mm [1"-1.25"]. Brushes or rubber flaps can be mounted between the headboard and the sidewalls to avoid leakage and to keep the sidewalls clean. The sidewalls of the trailer need to be smooth so the headboard cannot get stuck on something.

FIG. 31 A

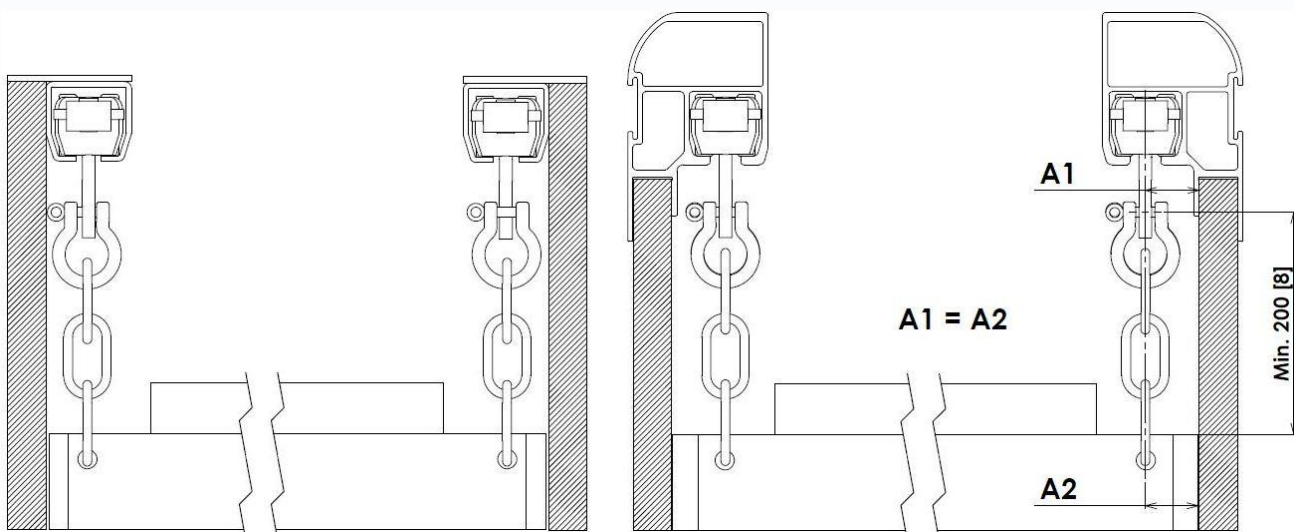
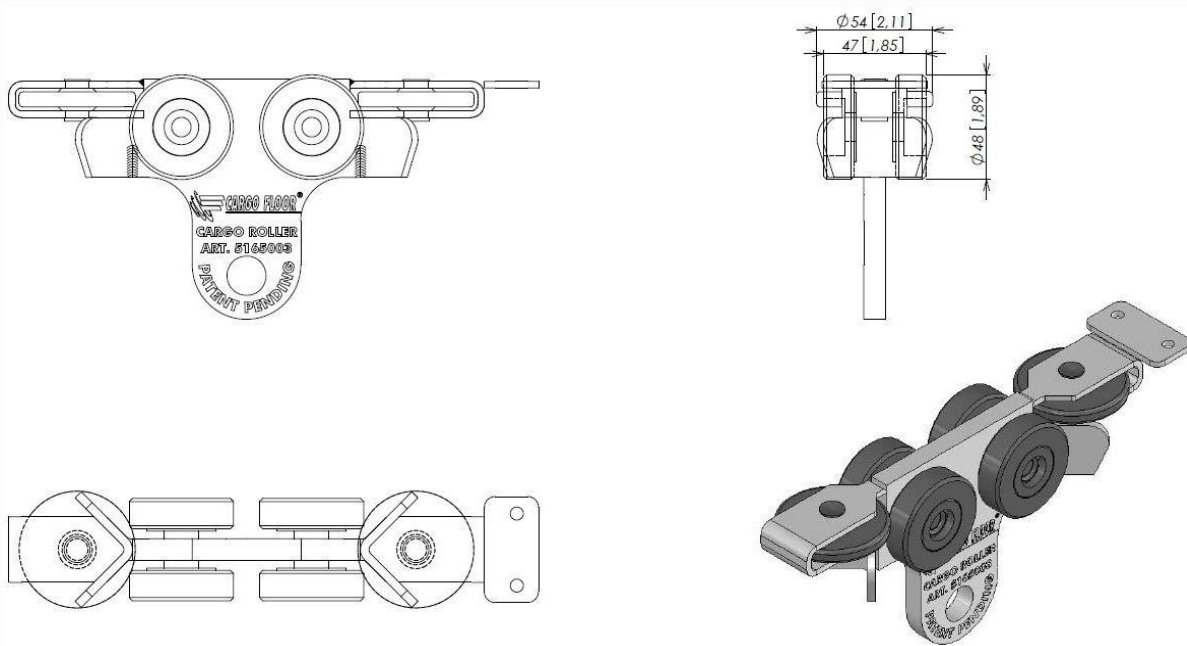


FIG. 31 B

Cargo Roller, Heavy Duty, 6 wheels with bi-directional cleaning device (part no. [5165003](#))



THE MOVING HEADBOARD TARPAULIN

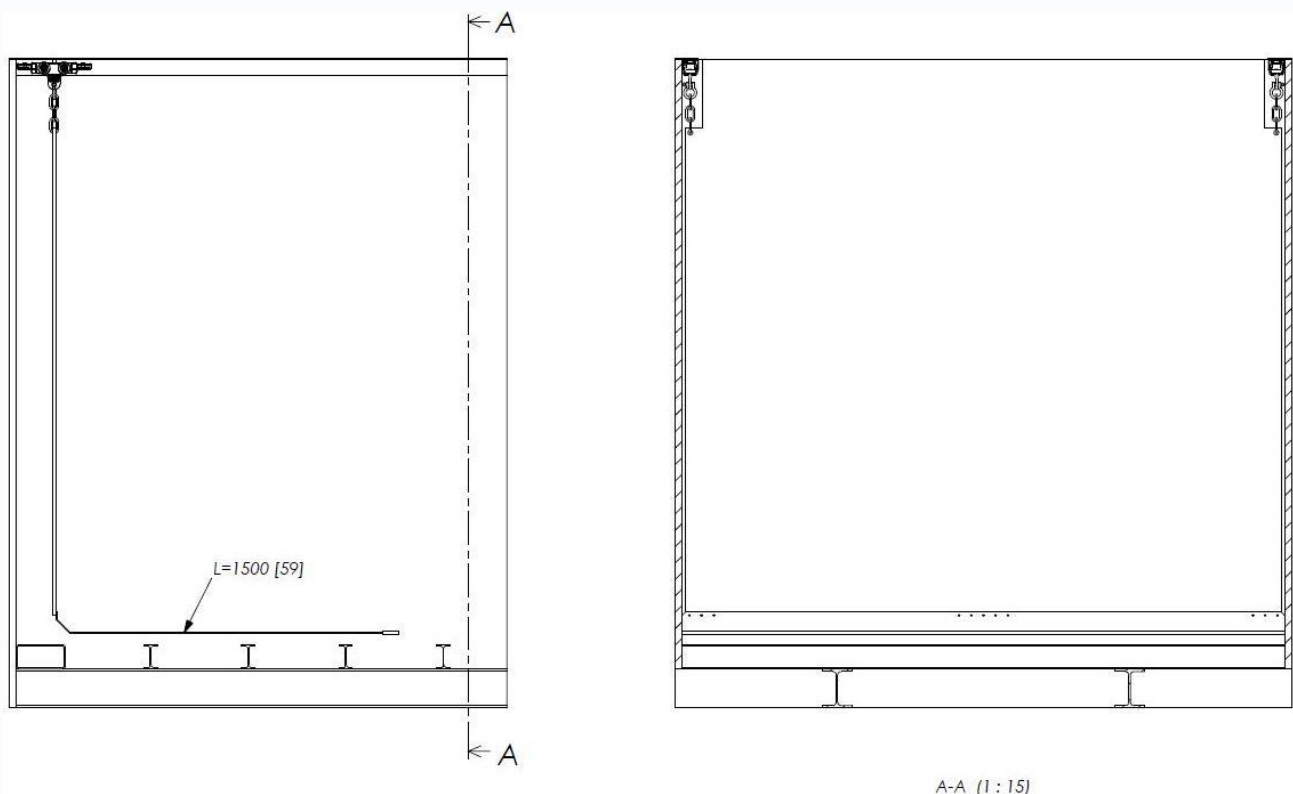
In order to allow the headboard to move with the load, a tarpaulin is fastened to the underside of the moving headboard, see figure 32. A section of this tarpaulin (about 1.250 mm [4']) needs to lie on the floor. This section of the tarpaulin needs to be fitted with one or more pine (wood) planks. The planks are in loops of the headboard tarpaulin of the tarpaulin is clamped between these planks. The fastening bolts/screws need to be well countersunk to ensure that they do not come in contact with the moving floor.



Attention!

These planks are about 20 mm. [0.79"] shorter than the smallest internal width of the loading space of the container.

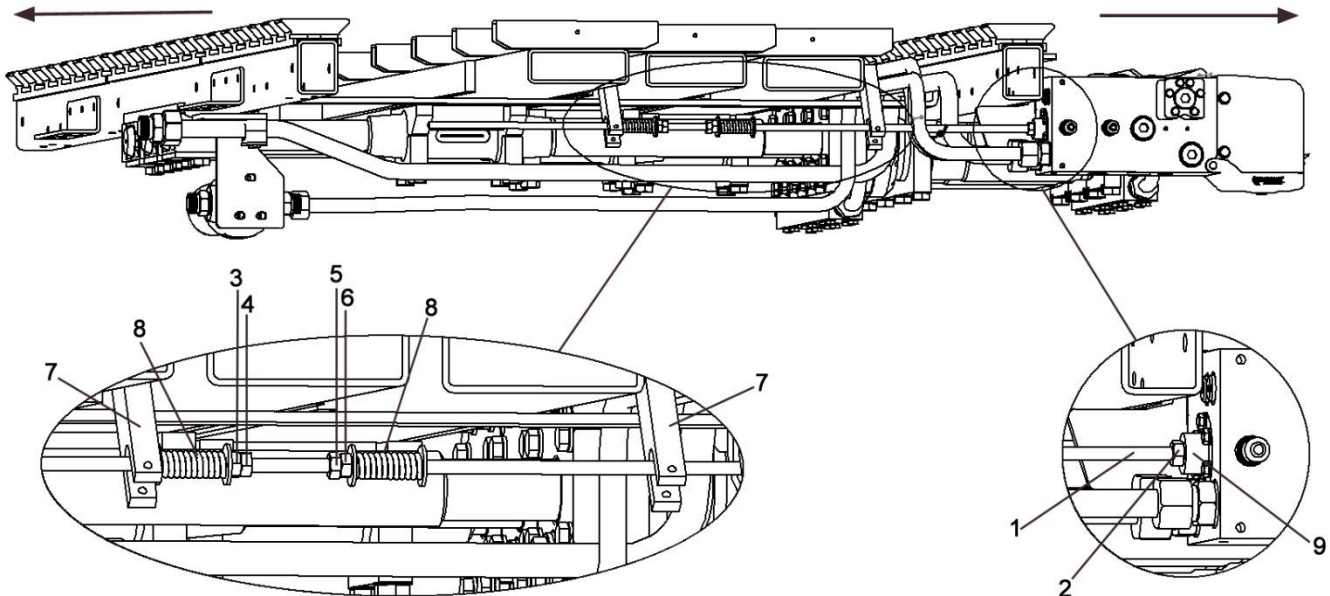
FIG. 32



ADJUSTMENT OF THE THREADED ROD OF THE CONTROL VALVE

Front side trailer

Rear side trailer



All Cargo Floor systems have the threaded rod set and are fully tested. You therefore do not need to adjust the threaded rod, but in certain circumstances (f.e. certain repairs) it may be necessary to check or adjust the setting of the threaded rod. If switching spontaneously doesn't go normally anymore, then please make a good assessment first why this has happened.

Attention:

The pump and electrical installation must always be switched-off when working on the system; in addition, the hoses and/or pipelines between the pump and the Cargo Floor should also be disconnected. If not the risk of entrapment arises!!!

Necessary tools:

- 2x spanner 17;
- High viscosity oil;
- Copper grease;
- Steel brush.

Check that the threaded rod (1) is fastened securely to the switching valve, with pressing and pulling the stroke is exactly 12 mm. [0.5"].

If not, then screw the threaded rod (1) as far as possible into the plunger and secure this with the contra nut (2) (spanner size 17). Loosen nuts (3 and 4, spanner size 17) and move these about 3 cm [1.25"] in the direction of the rear of the trailer.

Now switch the pump on while you are at a safe distance. The system will start to move and stops automatically at the point where the command lip (7) no longer operates the switching valve, because the spring (8) is no longer pushed. Switch off the pump immediately.

Now push the threaded rod (1) in the direction of the rear of the trailer until the spacer ring (9) touches the control valve.

Tighten nuts (3 and 4) so far in the direction of the front side of the trailer that the spring is fully pushed in, and secure them by tightening them against one another. Repeat this procedure for the other side (nuts 5 and 6) by doing everything in opposite directions.

N.B. It is worthwhile spreading some copper grease on the threaded rod (1).

TECHNICAL SPECIFICATIONS

- System operation** : fully hydraulic, with three double-action cylinders
System control : fully hydraulic mechanical
Controls : fully automatic loading – stop – unloading, optional A/B-control

| | CF500 SLC | |
|---|------------------|---------------|
| Bore (mm) | 100 | [4"] |
| Piston rod diameter (mm) | 45 | [1.77"] |
| Stroke (mm) | 200 | [8"] |
| Cylinder volume (ltr) | 2,82 | [0.75 us gal] |
| Oil volume per cycle (ltr) | 8,46 | [2.25 us gal] |
| Overpressure valve setting, max. operational pressure (bar) | 225 | [3,300 psi] |
| Strokes per minute with advised pump capacity | 13 | |
| Speed (mtr./min.) with advised pump capacity | 2,6 | [8.5 ft./min] |
| Advised pump capacity: | | |
| Flow (ltr./min.) | 110 | [29 gpm] |
| Pressure safety valve setting (bar) | 250 | [3,600 psi] |
| Max. pump capacity: | | |
| Flow (ltr./min.) | 130 | [34.5 gpm] |
| Pressure (bar) | 250 | [3,600 psi] |
| Speed at maximum pump capacity (mtr./min.) | 3,1 | [10 ft./min] |

- Control valves** : 24V DC
Throughput variation : completely variable speed by use of oil flow determined by the revs of the motor or by various pumps. Pay attention to the diameter of the choke, see chapter [connecting the hydraulics](#).
Drive : use of the PTO/pump on the truck; an electro-hydraulic aggregate or a hydraulic aggregate with an external combustion engine.
Filter : pressure filter type: high-pressure 10 micron
Pressure piping : Ø 20 x 2 feed through 16 mm
Return piping : Ø 25 x 2,5 feed through 20 mm
Oil ISO VG 32 : Shell Tellus T32 or BP HL2-32 or ESSO Unavis 32 (or equivalent).
 Only use biological oil after agreement by Cargo Floor B.V.
Biological oil : a biological oil of the type synthetic ester (HEES) can be used as standard with the CF500 SLC system. We advise you not to use other types of biological oil.
Oil temperature : max. 100 °C [212 °F]
Floor
Slats : aluminium
 Slat length negotiable
Quality : high quality alloy, weldable, very wear-proof and tensile
Bearing : the aluminium floor slats are supported by wear-resistant plastic bearings
Under floor : length negotiable

MAINTENANCE INSTRUCTIONS

When works require turning on the floor you should take care of that the floor can be shut down immediately at any time. Places where clamping/clasping of body parts is possible may not be approached when the system is moving.

For more detailed explanation of the execution of the works we would like to refer you to our website: www.cargofloor.com.

Check for the end user / owner after receipt of the new Cargo Floor trailer

Check a couple of days after receipt of the new trailer and / or after 10 loads / unloads and after one month the connection between the aluminium floor profiles and the Cargo Floor system. You do this by placing your finger half on the screw and half on the floor profile when the floor is operating.

Important: if you feel a difference in movement between the screw and the floor profile it means the floor profile is not fastened enough. The screw connection of the whole profile group this concerns needs to be renewed with new screws in accordance to the fastenings guidelines mentioned in the assembly instructions (see www.cargofloor.com, downloads). Also the countersunk hole needs to be cleaned properly. Do not check the screw connections with the help of an Allen key and do not simply just tighten the screws, the Loctite connection will be broken.

Specifications of the screws: hexagon socket countersunk head screw M12 x 40, article number 502112040.2.

The torque is 100 - 140 Nm [72-105 lbf.ft.]

Regular checks and preventive maintenance

To ensure that your Cargo Floor system operates reliably and has a long life, it is important that you regularly perform careful checks on the following aspects:

- Replace the filter element every year, or more often if needed. By removing the filter lid/chamber you can check the filter element,
- Change the oil every 2 years, or more frequently if required;
- The level of oil in the tank. See for oil levels and the oil specifications the technical specifications.
- Floor profiles: are they still fixed, replace screws if necessary!
- Check the guide blocks for the 3 piston rods for wear
- Check the coupling nuts and couplings of all hydraulic components, and adjust if necessary!
- Oil tank: by taking the lid off the tank, you can remove any remains (condensation, dirt etc.) from the bottom.
- Check the seal between the two fixated floor profiles and the moving profiles. If a margin exists in-between, then adjust the fixated floor profiles, in order for the sealing to be optimal and leakage via the side walls is prevented
- Clean the floor.

This is all necessary to avoid internal wear (of the pump/cylinders etc., for example).

New filter parts are available at your system builder. For the right type we refer you to our “exploded views” which you can find on our website: www.cargofloor.com, downloads.

We want to emphasize that the minimal costs of replacing dirty parts or oil do not match the costs and discomfort that can arise.

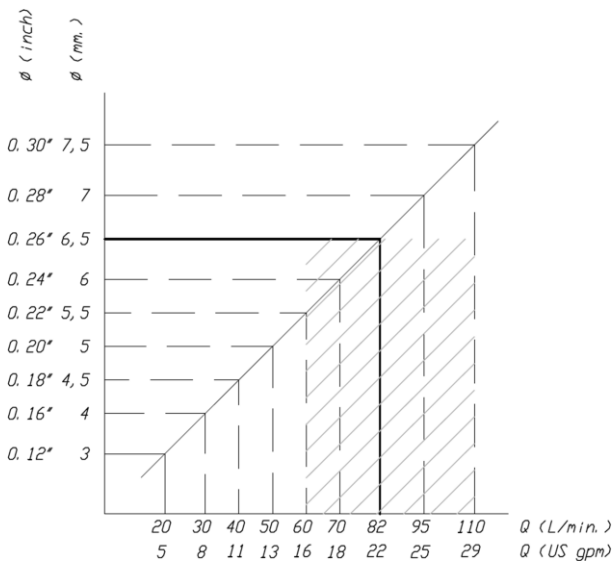
Cleaning the floor parts with a steam cleaner is also part of the regular preventative maintenance, especially with the so called SLP profiles this is mandatory to clean the large gully regularly.

IMPORTANT INSTRUCTIONS

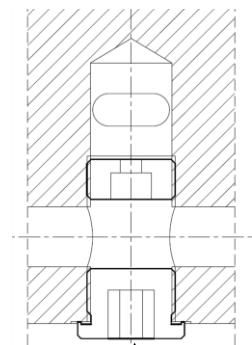
- Avoid letting dirt and water get into the hydraulic system when disconnecting the connectors or when topping up/cleaning the oil tank.
- Adjust the work speed when, for example, heavy massive products are being loaded or unloaded with which the system needs the maximum power ([see chapter technical specifications](#)), so as to avoid overloading.
- It is not permitted to exceed the maximum operational pressure ([see chapter technical specifications](#)).
- Avoid loading and unloading sharp objects without a protective roll-up cover mechanism. This causes unnecessary wear of the seal/floor profiles. If you would like to transport such materials safely, we advise you to use a protective roll-up cover mechanism.
- Never exceed the maximum number of strokes per minute when using the full stroke ([see chapter technical specifications](#)). A greater number of strokes causes enormous forces in the system and chassis, and causes a lot of heat to be generated in the hydraulic system.
- When loading and unloading packed goods it is important that a good equal weight distribution is realized on the floor. If this is not the case there is the possibility that the goods will not move. When using pallets, if necessary, place a wooden plank (of about 300x18x2350 mm [12"x 0.75"x92.5"]) multiplex underneath.

CHOKE

If the E-controlled Cargo Floor system will be operated by different types of pumps or a pump with a low oil flow, it could be that you have to pay attention to mount another type of choke.

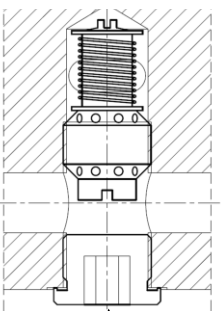


Standard choke
DIN 906-5.8-3/4"



PB

Variabele
choke Art. nr.
[7370106](#)



PB

The shading points out the reach of the standard choke.

Choke

There is a standard 6,5 mm [0.26"] choke mounted as standard in the PB channel of the E control valve. This allows the E control valve to function correctly. This standard choke is suitable for an oil flow level of 60 to 110 litres per minute [16 to 29 gpm]. The function of the control valve can be affected by a deviation from this oil flow level. The oil flow diagram shows which level of oil flow is required by which opening. Adjustment of this is possible by simply changing the diameter of the choke.

Known consequences of a wrong choke diameter are:

- Oil flow too low: load/unload operational plunger is not switching, system gets pressure less;
- Oil flow too high: noise in system, high heat dissipation and capacity loss.

Flow independent choke

As an option a flow independent choke can be supplied (variable choke article number 7370106). The standard mounted choke can simply be changed with these. You remove the socket plug out of channel PB (Allen key 12 mm). After this you screw the choke out of the channel with Allen key 12 mm. Screw the new variable choke in the channel and fasten these by hand (about 15 Nm [11 lbf.ft.]). Screw the socket plug back into channel PB (Allen key 12 mm) and fasten these by hand (about 15 Nm [11 lbf.ft.]). Let the floor run (loading and unloading) in order to check if everything is functioning well and no leakage occur. The variable choke has a flow range of 20-120 ltr./min [5-31 gpm] ±10% using a VG32 and is suitable for a maximal work pressure of 225 bar [3300 psi].



Important!

Connecting pressure and return wrongly will cause a malfunction, and damage to, the system.

B-control

Another possibility to be independent from a variable oil flow is using a B-control. With this the loading/unloading direction is determined by a handle.

TROUBLESHOOTING E-CONTROL

In the event of the failure of the Cargo Floor system to operate (in the correct manner) when used in accordance with the operating instructions carry out the following checks:

| Malfunction system | Concerns part | Cause | Solution |
|--|--|---|---|
| 1. Does not operate No oil flow control valve | PTO | Not switched on | Switch on PTO |
| | Quick coupling | Blockade | Check couplings / mount correctly |
| 2. Does not operate There is oil flow control valve | Switch | Stop operated | De-activate stop |
| | Solenoid valve GS02 on/off | Interruption wiring Interruption in coil | Activate manual override GS02 temporarily and/or repair power supply |
| | Pressure control valve | Polluted | Clean / replace pressure control valve, attention: do not open the pressure control valve in parts |
| | Oil temperature switch | Interruption solenoid due to overheating | Let the oil cool down. |
| | Operation plunger in the middle position | Flow <60 l/m [16 US gpm] See chapter: choke | Increase pump rpm Install another pump Adjust choke |
| | | Hoses connected reversed | Check filter first, then connect pressure and return correctly. |
| | Plunger moves with difficulty due to molten seal | Replace seals operation plunger | |
| 3. Starts immediately after switching on the PTO | Switch CF7 | Switch movement blocked in the on position | Remove blockade |
| | GS02 on/of | Manual override activated | De-activate manual override, put yellow security clip back in place |
| | Hoses connected reversed | Pressure and return hoses are swapped | Check filter first, then connect pressure and return correctly. |
| 4. Individual movement is difficult and/or incorrect with a full trailer | Pressure control valve | Tipper valve | Turn tipper valve in correct position |
| | | Pressure control valve pulling vehicle max. pressure to low | Measure max. pressure/ adjust pulling vehicle |
| | | Return oil has restrictions | Measure pressure M2, remove restrictions |
| | Capacity of the system is insufficient. | Too much load | Unload part of load with crane |
| | | Pollution between the profiles | Clean |
| | Frost | Thaw | |
| 5. Individual movement is incorrect when unloading With a full and empty trailer | Valve in cylinder head 1 or 2 | Pollution prevents a good closure | Remove pollution |
| | | Broken valve spring | Replace spring |
| | Valve seat in cylinder head 1 or 2 | Valve seat has loosened | *Replace / fasten valve seat |
| | Common rail cylinder rod side | Stop in the common rail has loosened | Fasten stop / replace common rail |
| Common rail mounted the wrong way around | | Mount common rail correctly | |

| Malfunction system | Concerns part | Cause | Solution |
|--|--|--|---|
| 6. Switching is difficult or goes not at all. 3 Cylinders are fully retracted or fully out. | a. Threaded rod | Adjustment incorrect | Adjust correctly, attention: determine cause. See: b. and c. |
| | | Switching spring broken | Replace spring, attention: determine cause. See: b. and c.. |
| | b. Switching plunger | Stroke > 12 mm. [0.5 inch] -> threaded rod loose, spacer loose | Screw in Threaded rod / bolt fully. |
| | c. Moving cross member | Slanting caused by loose profiles | *Replace screws and provide them with a thread locking product and check the rod bearing. |
| | d. Switching choke | Polluted | * Clean choke |
| 7. Floor unloads when choosing loading and unloading | Solenoid valve G02 loading / unloading | Interruption wiring Interruption in coil | Activate manual override G02 temporarily and/or repair power supply |
| 8. Floor loads when choosing loading and unloading | Solenoid valve G02 loading / unloading | Manual override G02 is activated | De-activate emergency control |
| 9. Other malfunctions | Please contact your trailer builder or Cargo Floor B.V., keep the system number at hand. | | |

* Contact us for the right repair advice.

WARRANTY CONDITIONS

Warranty shall only be given with the prior consent of Cargo Floor B.V.! With warranty requests always fill in and send a warranty request form to Cargo Floor B.V. beforehand. You can fill in a request for warranty simply on our website: www.cargofloor.com, [service](#).

The warranty conditions, as specified in the most recent "Metaalunie" conditions, filed with the registrar of the District Court of Rotterdam, are applicable in unabbreviated form. On request available.

A short extract of these conditions follows:

A warranty period of 12 months (starting directly after installation) applies for all Cargo Floor system materials supplied by us. In the case of malfunction and/or manufacturing faults we are only responsible for the costless supply of replacement parts, if:

The warranty period is for the first equipment owner only

The Cargo Floor system is installed by your trailer builder according to our installation procedures

Our maintenance and control procedures have been followed

In the case of a malfunction, the system builder, or Cargo Floor have been informed

The following components are not covered by the warranty:

- Malfunction of equipment, or caused by equipment, which was not supplied by Cargo Floor B.V.
- Malfunction caused by the use of dirty oil, or oil of the wrong type
- Malfunction caused by overheated oil, T. max. ≤ 100 °C [212 °F]
- Malfunction caused by overloading or injudicious use
- Malfunction caused by improper repair work, or repair work which is carried out by third parties
- Malfunction caused by corrosive materials
- Filter elements and components, which are subject to normal wear-and-tear and are not warranty items
- Defects in electrical components due to incorrect connection and/or incorrect voltage levels
- Consequential damages

The warranty is void if:

- The system is used for purposes, which have not been recommended Cargo Floor B.V.
- The wet kit is not as recommend in the Cargo Floor manuals
- The Cargo Floor system is not installed properly
- Load in excess of legal limit are moved as defined in Cargo Floor manuals and operating instructions.
- The Cargo Floor system has not constructed correctly by your trailer builder, insofar as this has a negative influence on the operation of the system.

Cargo Floor B.V. hereby warrants, only to the first owner of a new Cargo Floor unloader from the factory or selling distributor, that the Cargo Floor hydraulic parts and hydraulic components shall be warranted as free from defects in material and workmanship for a period of 12 months year to the first registered owner from the date of the sale.

This warranty does not cover normal wear and tear, maintenance, or heat damage. It is not to be construed as a service contract.

Note: Prevention of excessive heat in the hydraulic system is the single most important factor for long system life. Bad pumps, improper wet kits and hydraulic restrictions cause excessive heat and will damage the hydraulic system. Heat damage will void the warranty.

Definition of normal use and service:

Normal use and service means the loading and/or unloading of uniformly distributed, non-corrosive material, properly restrained and secured, on properly maintained public roads, with gross vehicle weights not in excess of factory rated capacity.

Sole and exclusive remedy:

If the product covered hereby fails to conform to the above stated warranty, Cargo Floor B.V. sole liability under this warranty and the owner's sole and exclusive remedy is limited to repair or replacement of the defective part(s) at a facility authorized by your dealer or Cargo Floor B.V.. This is the owner's sole and exclusive remedy for all contract claims, and all tort claims including those based on the strict liability in tort and negligence. Any defective part(s) must be shipped freight prepaid to your dealer who will contact Cargo Floor B.V..

Except as expressly set forth above, Cargo Floor B.V. makes no warranties:

Express, implied or statutory, specifically: No warranties of fitness for a particular purpose or warranties of merchantability are made. Further, Cargo Floor B.V. will not be liable for incidental damages or consequential damages such as, but not limited to, loss of use of the product, damage to the product, towing expenses, attorney's fees and the liability you may have in respect to any other reason.

Tort disclaimer:

Cargo Floor B.V. shall not have any liability in tort with respect to the products, including any liability based on strict liability in tort and negligence.

If this warranty violates law:

To the extent any provision of this warranty, contravenes the law of any jurisdiction, that provision shall be inapplicable in such jurisdiction and the remainder of the warranty shall not be affected thereby.

CONTACT DATA

Postal and visiting address:

Cargo Floor B.V.
Byte 14
7741 MK Coevorden
The Netherlands

Phone number : +31 524 593 900
E-mail : info@cargofloor.com
Website : Cargofloor.com
Whatsapp : +31 524 593 900

Order spare parts:

E-mail address : sales2@cargofloor.com
Phone number : +31 524 593 944

After Sales (technical questions and malfunctions)

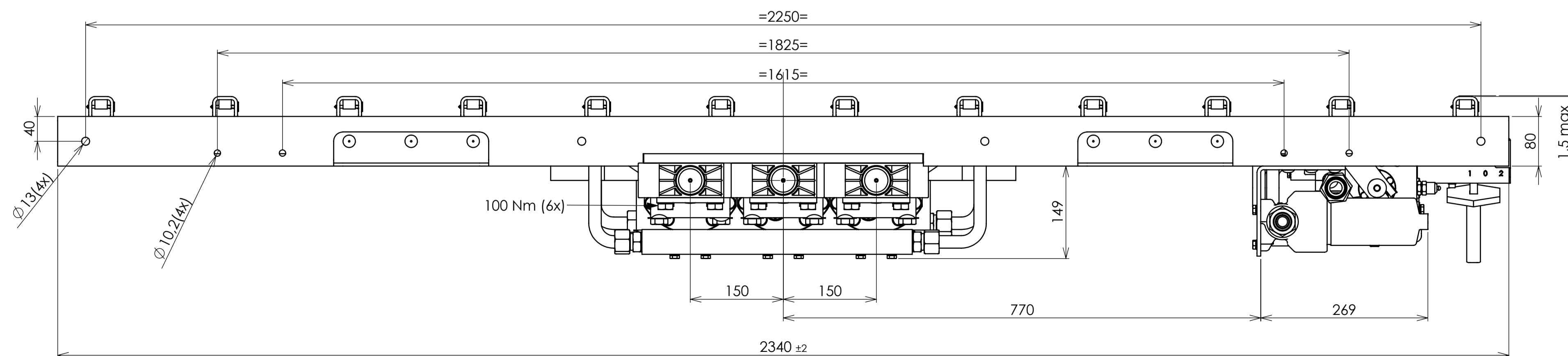
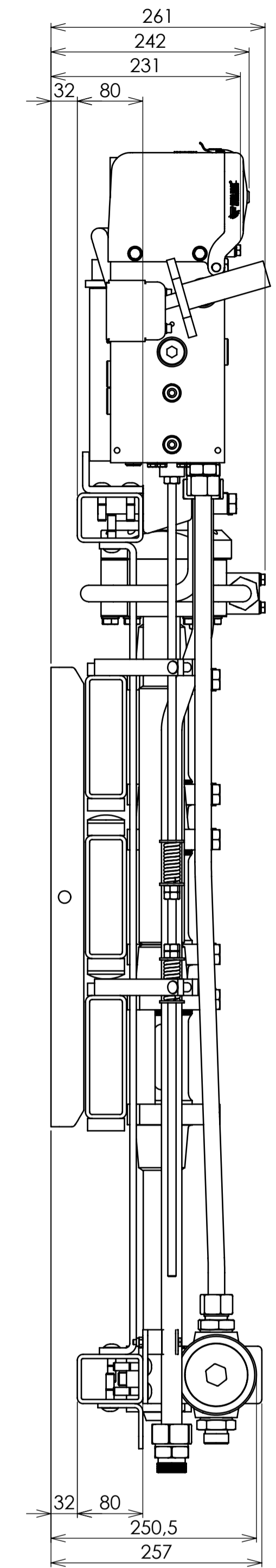
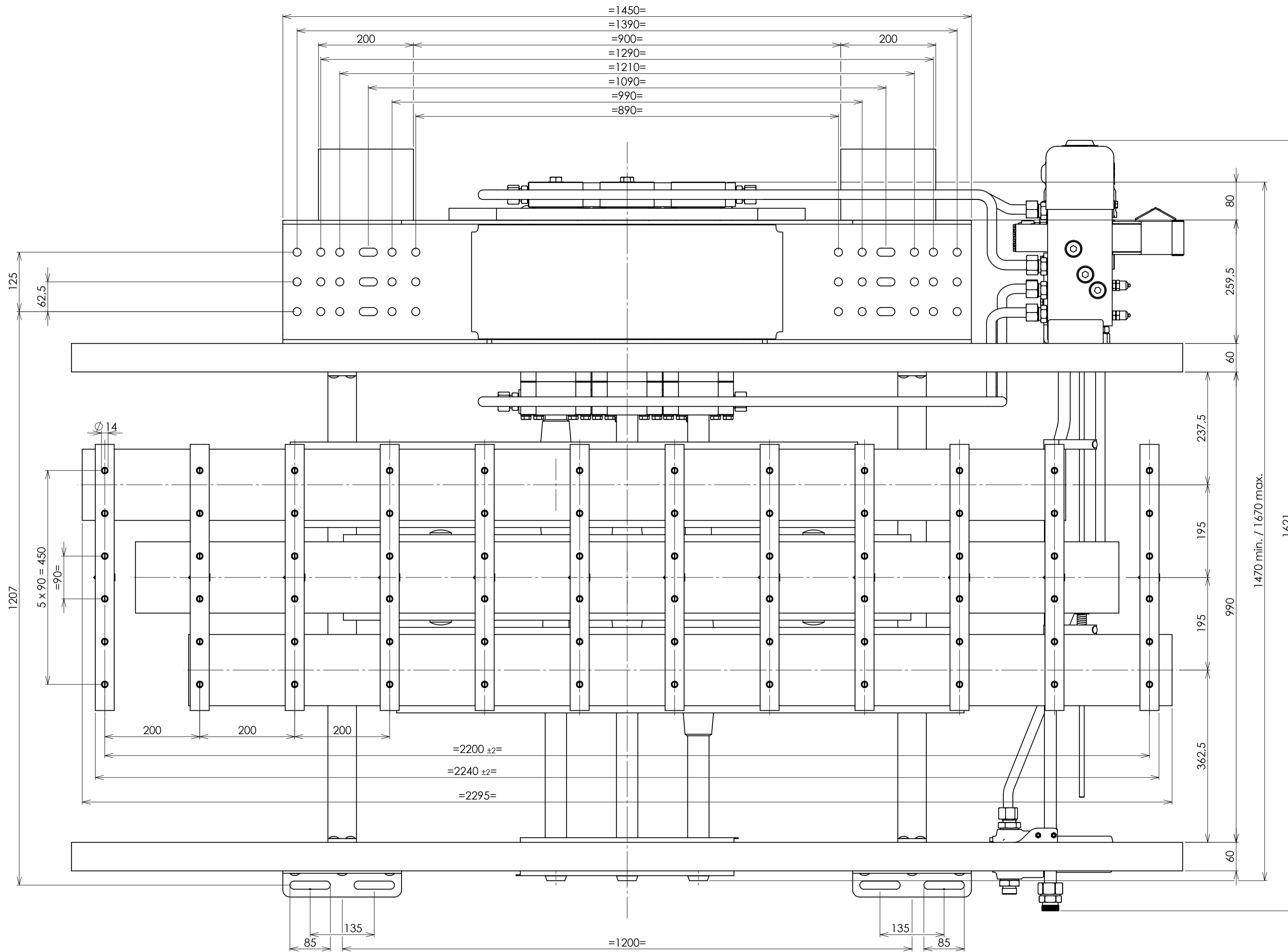
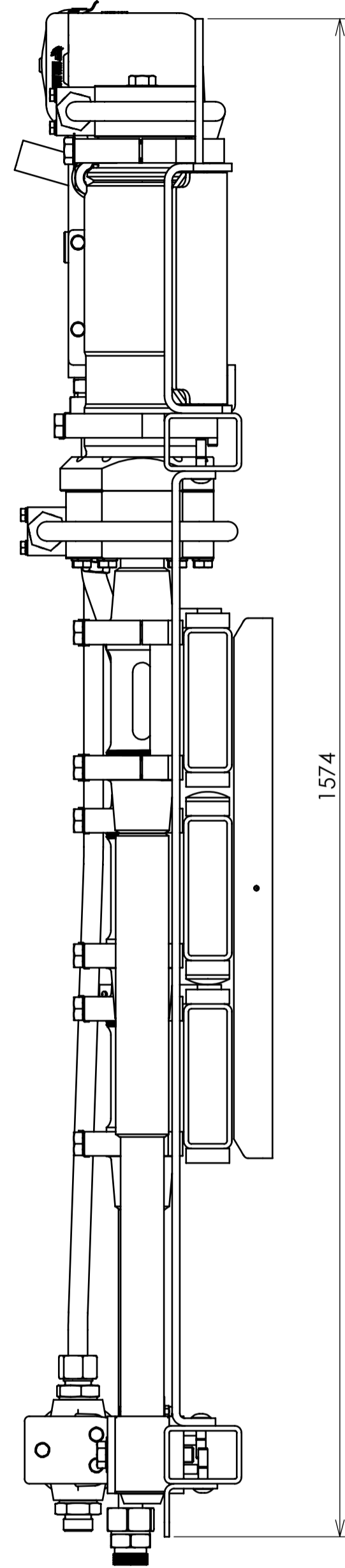
E-mail address : as@cargofloor.com
Phone number : +31 524 593 977

Coevorden, The Netherlands

© 2025 Cargo Floor B.V.

No part of this publication may be reproduced, stored in a retrieval system, or transmitted, in any form or by any means, electronic, photocopying, recording or otherwise, without the prior permission of Cargo Floor B.V.

TER INFORMATIE
FOR INFORMATION
ZUR INFORMATION



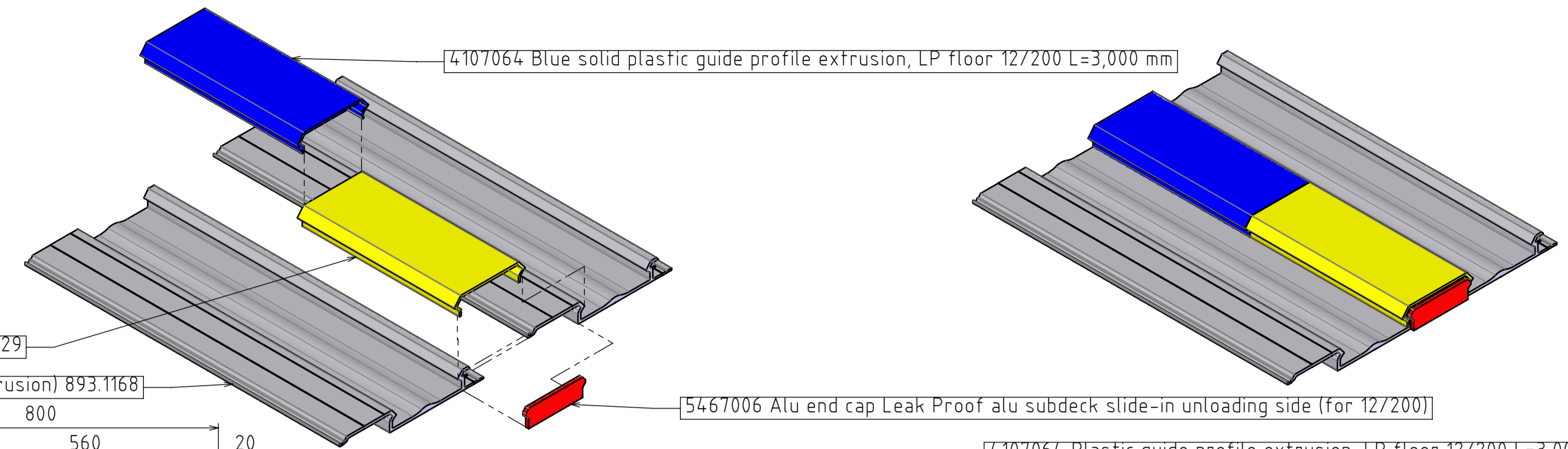
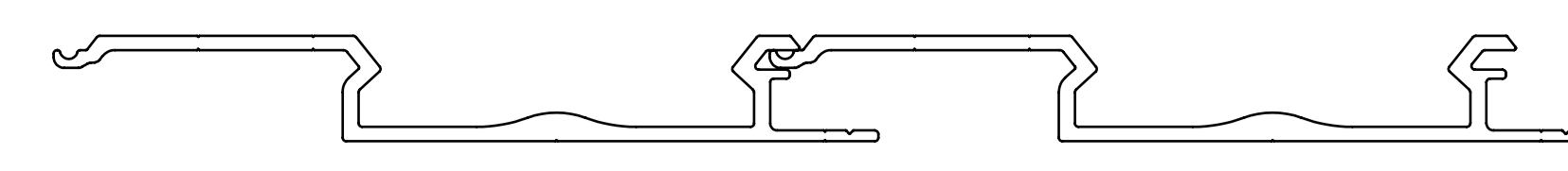
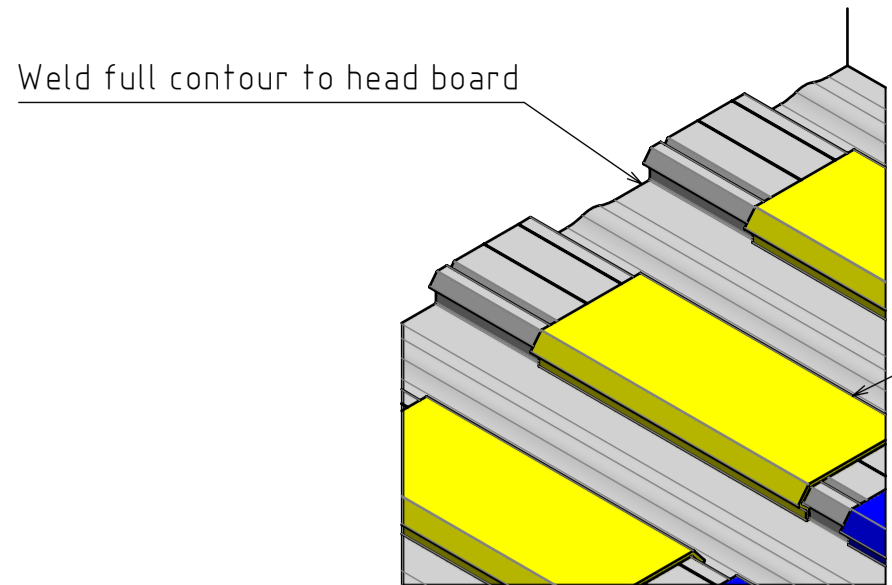
Max. working pressure in pressure pipe : 225 bar
 Max. working pressure in return pipe : 10 bar
 Qmax. : 110 L/min.
 Qmin. : 15 L/min.
 V/Cyclus : 8,5 L
 Preservative : Primer
 Mass : not measured

Tightening torque for all bolts M16 is 150 Nm, unless otherwise stated.
 Tightening torque for all bolts M8 is 30 Nm

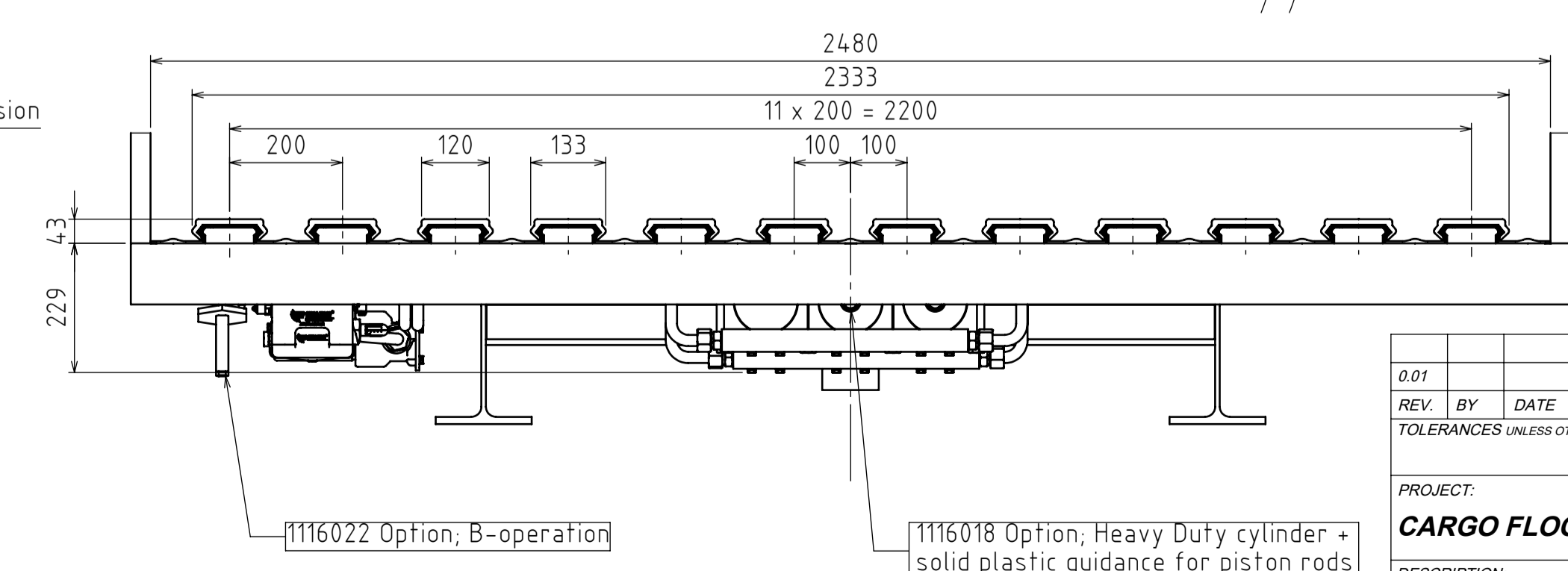
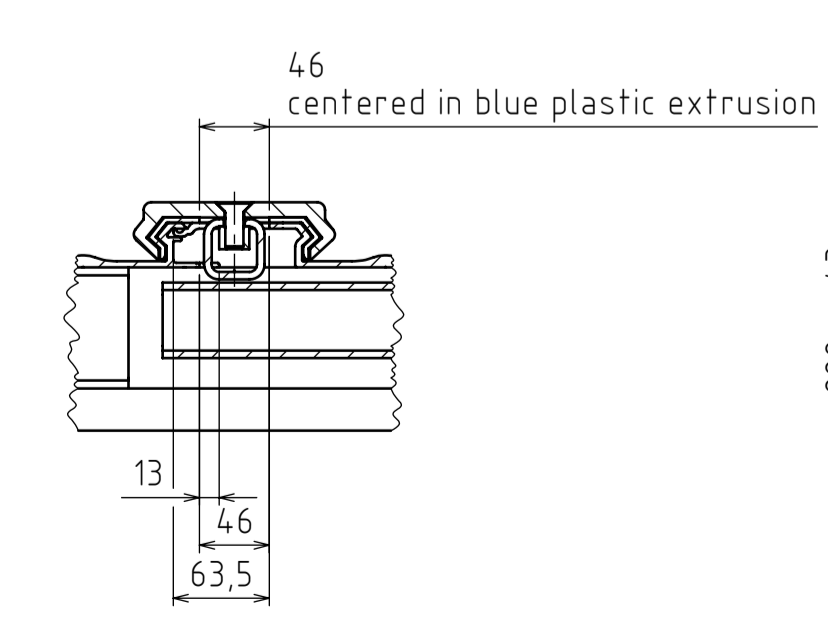
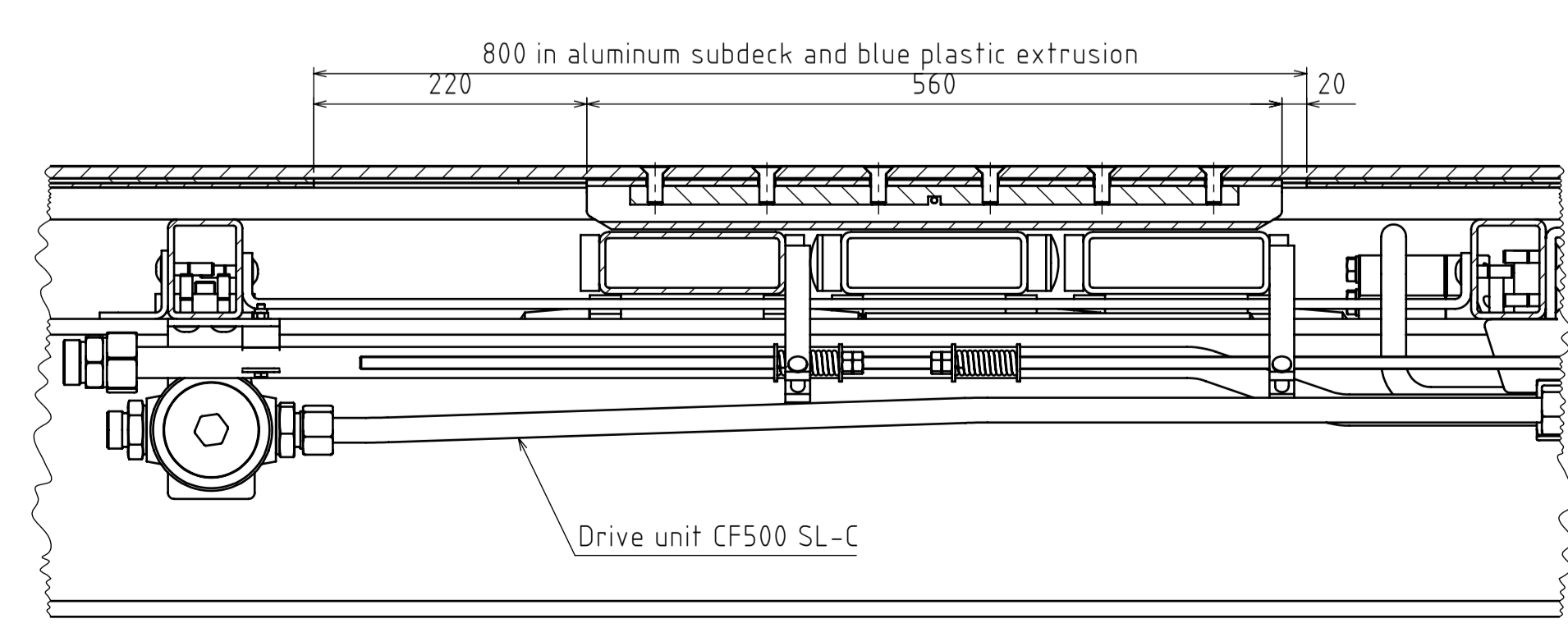
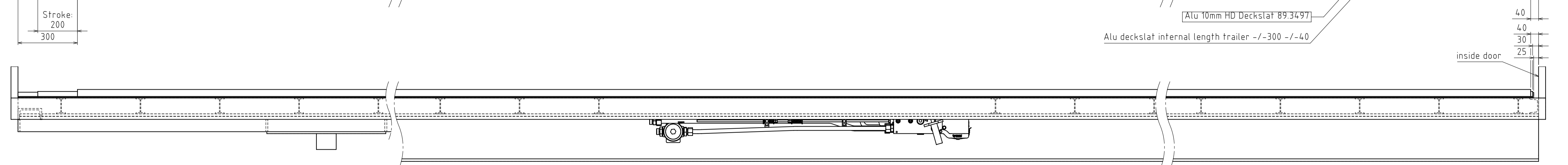
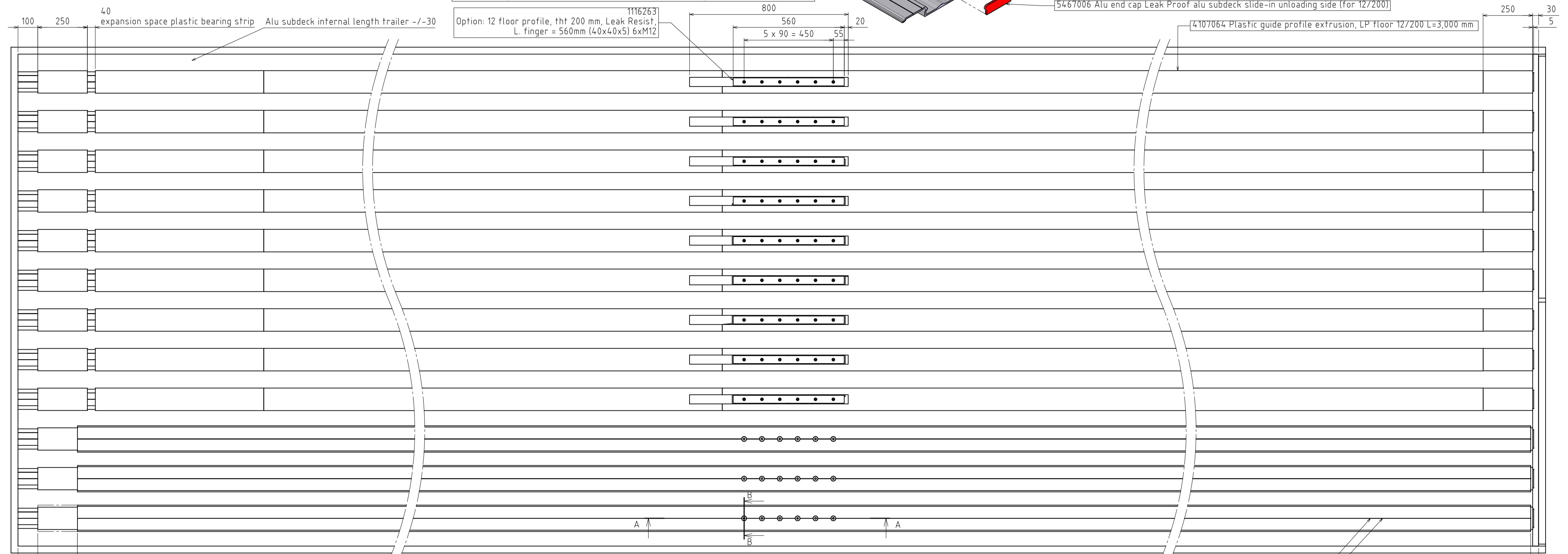
Cylinder no. 1 : VDW 100/45 x 200 -Drw. 001-001-957
 Cylinder no. 2 : VDW 100/45 x 200 -Drw. 001-001-964
 Cylinder no. 3 : VDW 100/45 x 200 -Drw. 001-001-966
 Control valve : E-control -Drw. D1750
 Hydraulic diagram -Drw. 90150

| 0 | HO | 14-06-2023 | - |
|--|----|-----------------------|-------------|
| REV. | BY | DATE | DESCRIPTION |
| TOLERANCES (UNLESS OTHERWISE STATED): | | | COLOR: |
| ±0,5mm | | | None |
| PROJECT: | | SIZE: | STATUS: |
| CF500 SL-C L-shape | | A1 | Released |
| ART. NO.: | | DIMENSIONS: MM (INCH) | |
| MATERIAL: | | SCALE: 1:5 SHEET: 1/1 | |
| DRAWN: HO | | DR. DATE: 30-5-2023 | |
| DESCRIPTION: | | APR. BY: NM | |
| CF500 SL-C H80 12-200 B 6xM12 c.t.c. 90 | | APR. DATE: 15-06-2023 | |
| CATEGORY: SYSTEM | | TREATMENT: | |
| DRAWING NUMBER: | | PROJECTION: | |
| 0018543 | | DEBURR SHARP EDGES | |
| Byte 14 NL-7741 MK Coevorden Phone: +31-524-583900 E-mail: info@cargo-floor.com | | WEIGHT: 480,58 KG | |

THIS DRAWING IS THE PROPERTY OF CARGO FLOOR B.V. AND MUST NOT BE COPIED OR REPRODUCED WITHOUT THEIR WRITTEN AUTHORITY (ISO 18016:2016)



[Alu end stop LP/LR for alu subdeck profile 8/200 mm, L=250 mm 5448029]
 [Alu subdeck profile 8/200 mm, Leak Proof (Slide-in for blue plastic extrusion) 893.1168]
 Option: 12 floor profile, tht 200 mm, Leak Resist, L. finger = 560mm (40x40x5) 6xM12
 1116263

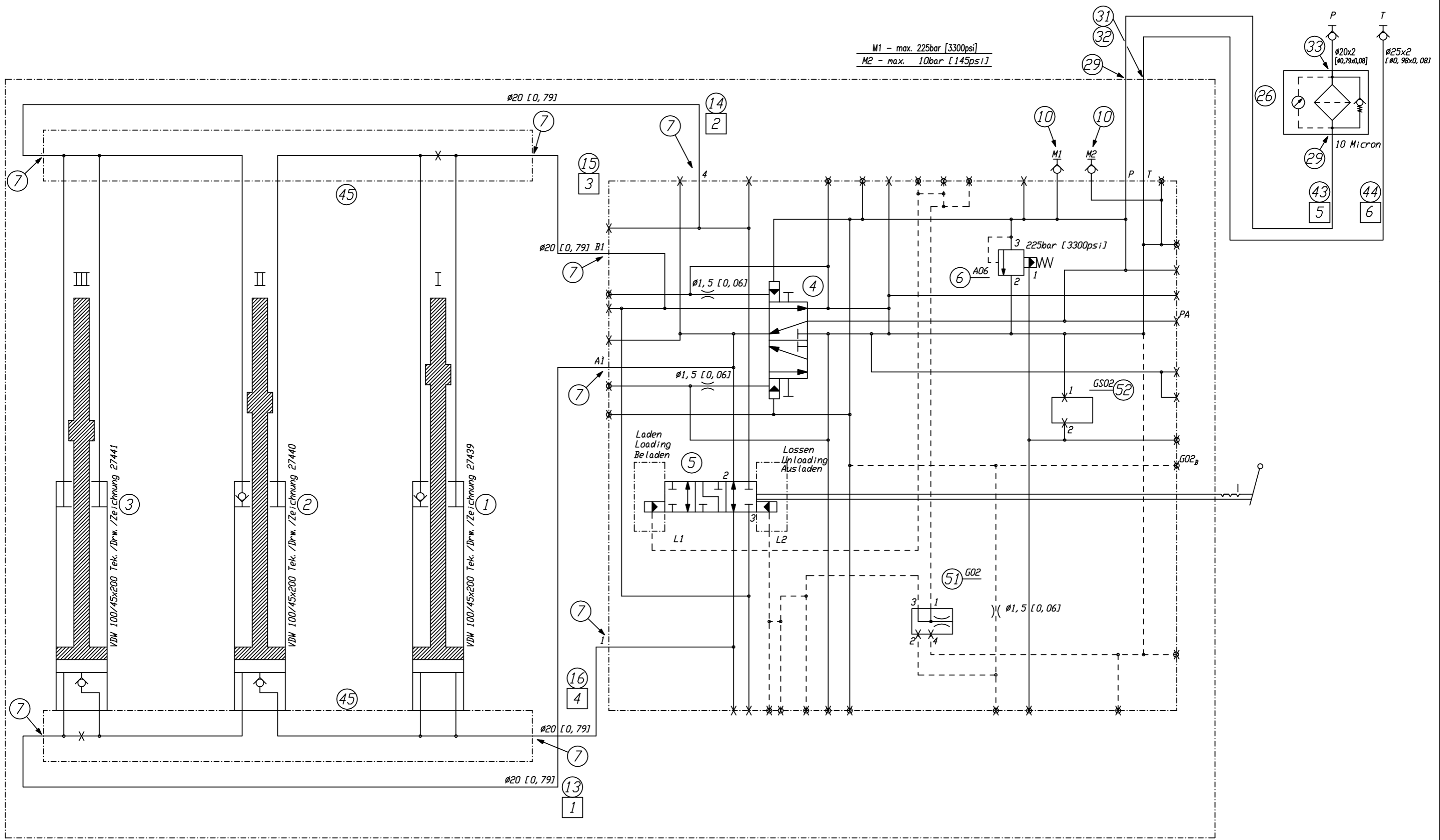


SECTION A-A
SCALE 1:5

SECTION B-B
90° - SCALE 1:5

| | | | | | | | |
|--|---------------------------------------|----|------|-------------|--------|---------|--|
| 0.01 | REV. | BY | DATE | DESCRIPTION | SIZE: | STATUS: | ART. NO.: |
| | TOLERANCES (UNLESS OTHERWISE STATED): | | | | COLOR: | A1 | Concept |
| PROJECT: | | | | | | | DIMENSIONS: MM (INCH) |
| CARGO FLOOR CF500 SLC LEAK RESIST | | | | | | | MATERIAL: |
| Trailer floor lay-out for LR alu subdeck slide-in 12/200 | | | | | | | SCALE: 1:10 SHEET: 1/1 |
| DRAWN: GG-C DR. DATE: 18-7-2023 | | | | | | | APR. BY: APR. DATE: |
| TREATMENT: | | | | | | | DRAWING NUMBER: 0018815 |
| CATEGORY: | | | | | | | DEBURR SHARP EDGES WEIGHT: 4006.80 KG |
| PROJECTION: | | | | | | | Byte 14 NL-7741 MK Coevorden Phone: +31-524-583900 E-mail: info@cargo-floor.com |
| THIS DRAWING IS THE PROPERTY OF CARGO FLOOR B.V. AND MUST NOT BE COPIED OR REPRODUCED WITHOUT THEIR WRITTEN AUTHORITY (ISO 18016:2016) | | | | | | | |

M1 - max. 225bar [3300psi]
M2 - max. 10bar [145psi]



ACHTERZIJDE CHASSIS
RUCKSEITE CHASSIS
BACKSIDE FRAME
DERRIERE DE CHASSIS

ONDERAANZICHT
UNTERANSICHT
BOTTOM VIEW
VUE DESSOUS

METRIC [IMPERIAL]



Cargo Floor B.V.
Byte 14
NL-7741 MK Coevorden
Phone: +31-524-593900
E-mail: info@cargo-floor.com

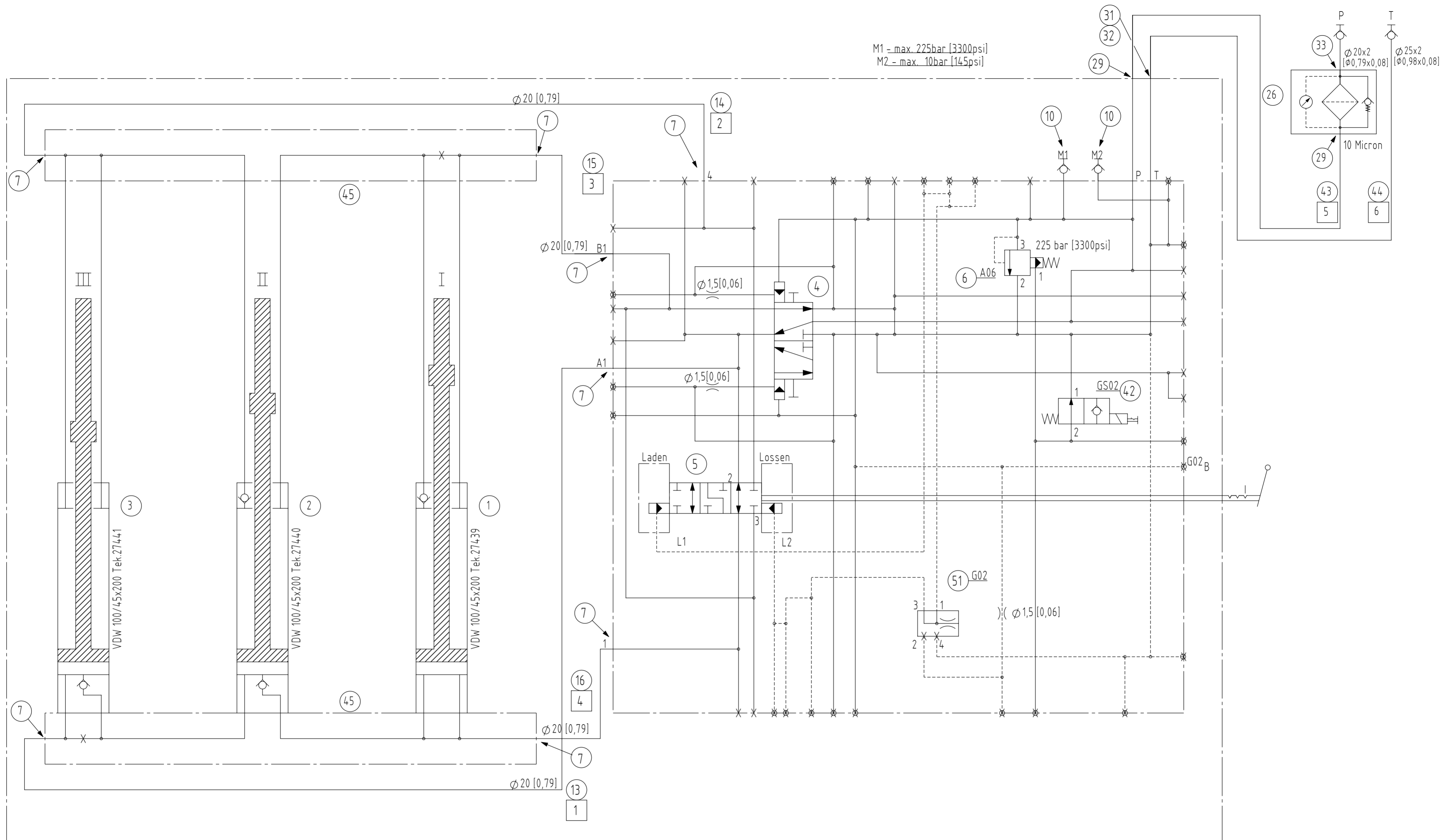
PROJECT:
CF500 SL-C
SUBJECT:
A-bediening / A-Control / A-Bedienung

ORDER: ...
DATE: 12-09-12
DRAWN: H.Z.

| | | | |
|-----|----------|-----------------|------|
| B | 19-12-17 | Format modified | H.O. |
| A | 10-06-13 | Metric+Imperial | MP |
| REV | DATE | CHANGES | BY |


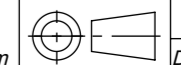
PAGE ...
DRAWING NUMBER :
Page H1-A

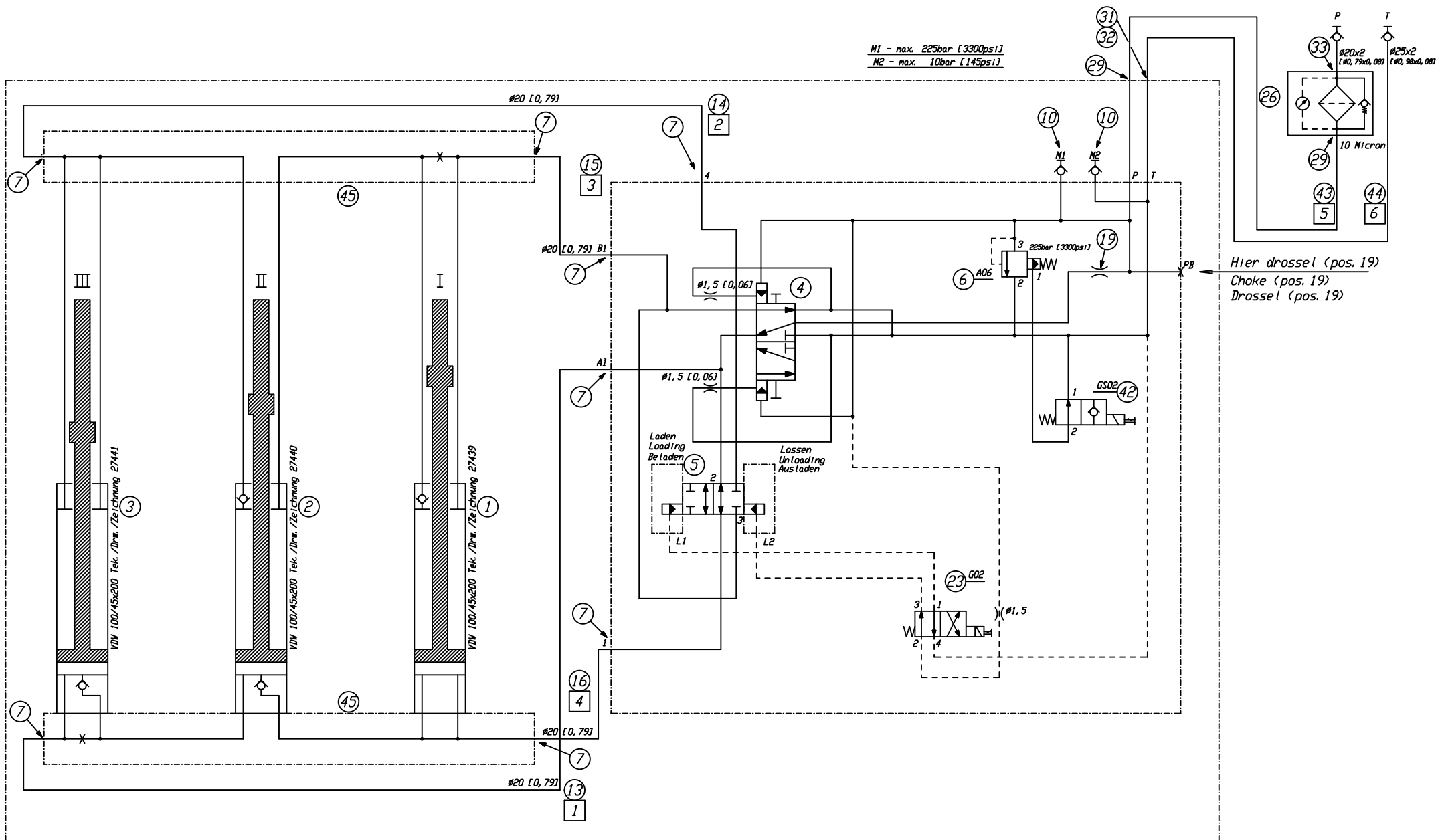
THIS DRAWING IS THE PROPERTY OF CARGO FLOOR B.V. AND MUST NOT BE COPIED OR REPRODUCED WITHOUT THEIR WRITTEN AUTHORITY (ISO 16016:2016)



ACHTERZIJDE CHASSIS
 RUCKSEITE CHASSIS
 BACKSIDE FRAME
 DERRIERE DE CHASSIS

ONDERAANZICHT
 UNTERANSICHT
 BOTTOM VIEW
 VUE DESSOUS

| | | | |
|--|----|-----------------|--|
| 0 | HO | 01-11-2024 | - |
| A | HO | 05-11-2024 | Metric+Imperial |
| REV. | BY | DATE | DESCRIPTION |
| TOLERANCES UNLESS OTHERWISE STATED: | | | COLOR: |
| SIZE: | | STATUS: | |
| A2 | | Released | |
| PROJECT: | | | ART. NO.: |
| CF500 SL-C | | | DIMENSIONS: MM [INCH] |
| DESCRIPTION: | | | MATERIAL: S235JR (1,0037) |
| B-bedienung / B-control / B-Bedienung | | | SCALE: 1:1 SHEET: 1/1 |
| DRAWN: HO DR. DATE: 31-10-2024 | | | APR. BY: ES APR. DATE: 05-11-2024 |
| CATEGORY: | | | TREATMENT: |
| DRAWING NUMBER: | | | CATEGORY: |
|  Byte 14 NL-7741 MK Coevorden Phone : +31-524-593900 E-mail : info@cargo-floor.com | | | PROJECTION:  |
| THIS DRAWING IS THE PROPERTY OF CARGO FLOOR B.V. AND MUST NOT BE COPIED OR REPRODUCED WITHOUT THEIR WRITTEN AUTHORITY (ISO 16016:2016) | | | DEBURR SHARP EDGES WEIGHT: 0.00 KG Page H1-B |



M1 - max. 225bar [3300psi]
M2 - max. 10bar [145psi]

Hier drossel (pos. 19)
Choke (pos. 19)
Drossel (pos. 19)

ACHTERZIJDE CHASSIS
RUCKSEITE CHASSIS
BACKSIDE FRAME
DERRIERE DE CHASSIS

ONDERAANZICHT
UNTERANSICHT
BOTTOM VIEW
VUE DESSOUS

METRIC [IMPERIAL]



Cargo Floor B.V.
Byte 14
NL-7741 MK Coevorden
Phone: +31-524-593900
E-mail: info@cargo-floor.com

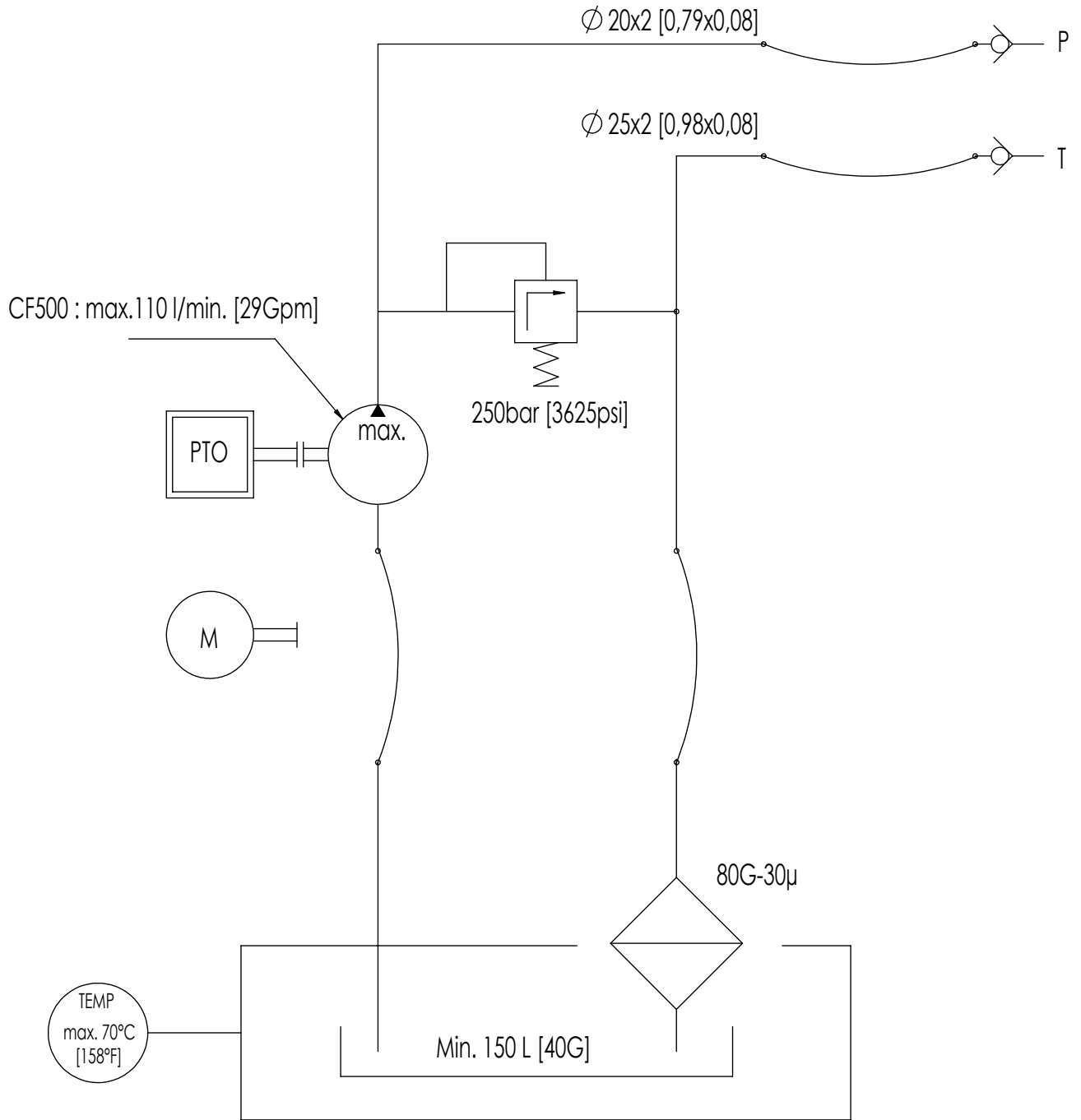
PROJECT:
CF500 SL-C
SUBJECT:
E-bediening / E-Control / E-Bedienung

ORDER: ...
DATE: 12-09-12
DRAWN: H.Z.

| | | | |
|-----|----------|-----------------|------|
| C | 13-05-20 | Lines removed | ES |
| B | 19-12-17 | Format modified | H.O. |
| A | 10-06-13 | Metric-Imperial | MP |
| REV | DATE | CHANGES | BY |

PAGE ...
DRAWING NUMBER :
Page H1-E

THIS DRAWING IS THE PROPERTY OF CARGO FLOOR B.V. AND MUST NOT BE COPIED OR REPRODUCED WITHOUT THEIR WRITTEN AUTHORITY (ISO 16016:2016)



| 0 | HO | 01-11-2024 | - |
|------|----|------------|---------------|
| A | HO | 05-11-2024 | Layout update |
| REV. | BY | DATE | DESCRIPTION |

| | | | | |
|-------------------------------------|--------|--------------------|----------------------------|-----------|
| TOLERANCES UNLESS OTHERWISE STATED: | COLOR: | SIZE: A4 | STATUS: Released | ART. NO.: |
|-------------------------------------|--------|--------------------|----------------------------|-----------|

| | | |
|-----------------------|----------------------|---------------------------|
| DIMENSIONS: MM [INCH] | | MATERIAL: S235JR (1.0037) |
| SCALE: - | SHEET: 1/1 | |
| DRAWN: HO | DR. DATE: 05-10-2012 | |

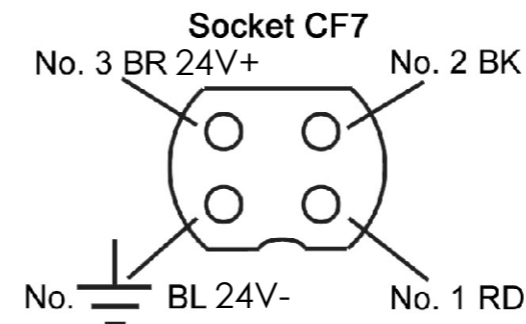
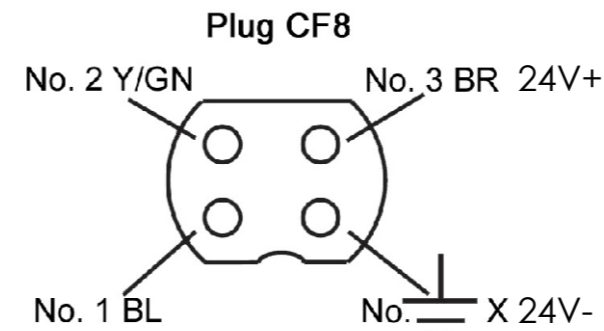
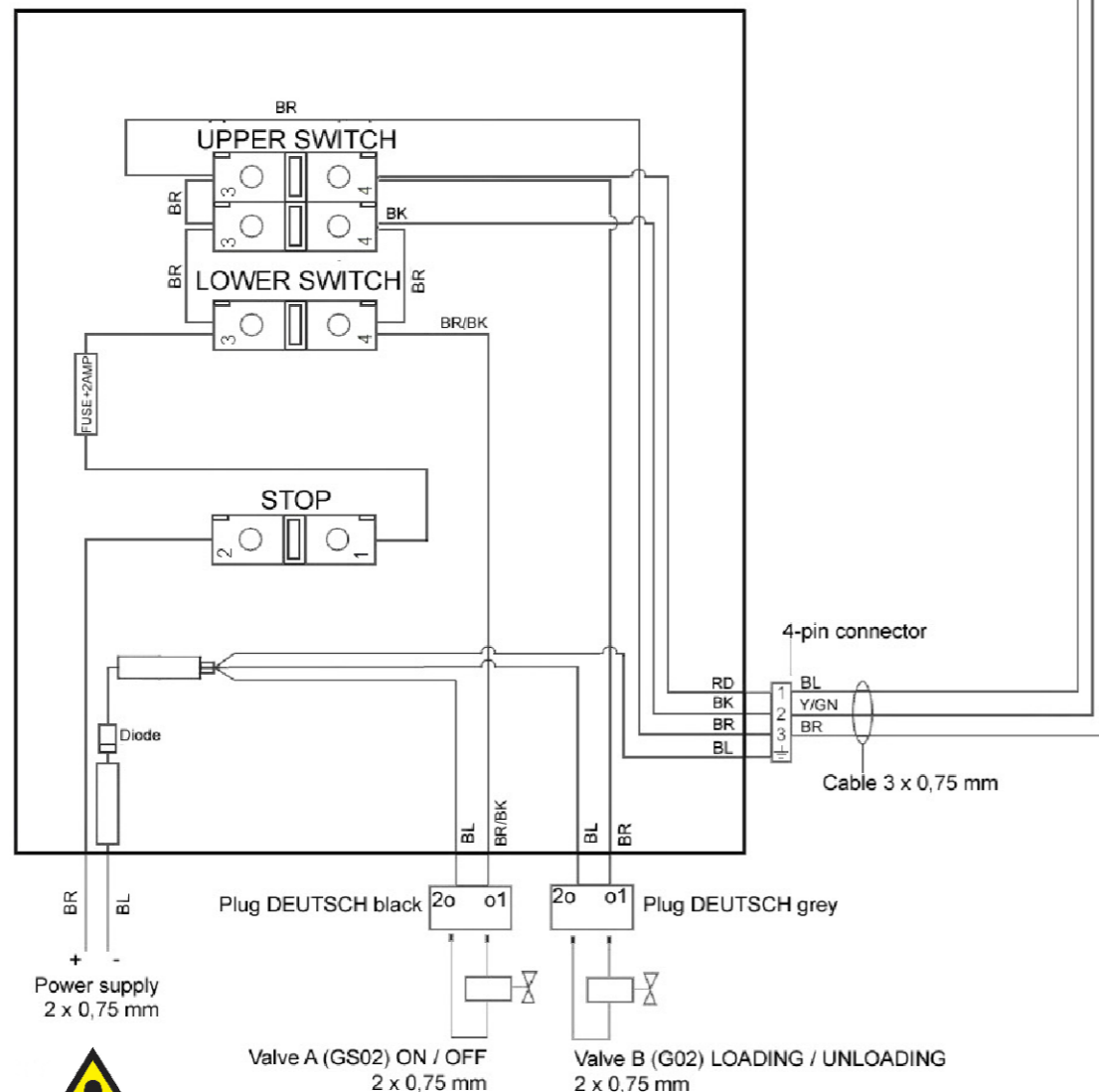
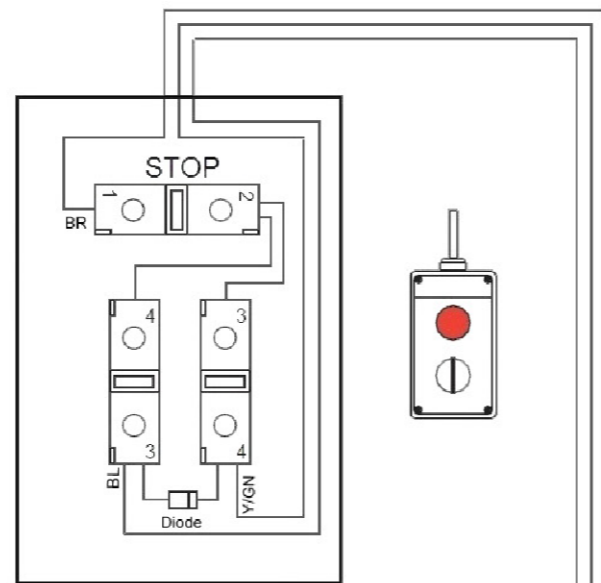
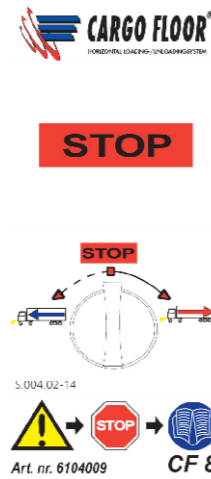
| | | |
|--|-------------|-----------------------|
| DESCRIPTION: | APR. BY: ES | APR. DATE: 05-11-2024 |
| Aansluiting / Connection / Anschlüsse | | |
| TREATMENT: | | |
| CATEGORY: | | |

| | | | | |
|--|---|-------------|--------------------|----------------|
| | Byte 14 NL-7741 MK Coevorden Phone : +31-524-593900 E-mail : info@cargofloor.com | PROJECTION: | DRAWING NUMBER: | Page H2 |
| | | | DEBURR SHARP EDGES | |

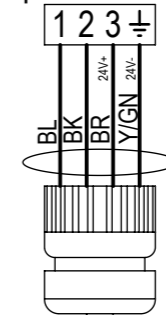
THIS DRAWING IS THE PROPERTY OF CARGO FLOOR B.V. AND MUST NOT BE COPIED OR REPRODUCED WITHOUT THEIR WRITTEN AUTHORITY (ISO 16016:2016)

OPTION IRCM REMOTE CONTROL

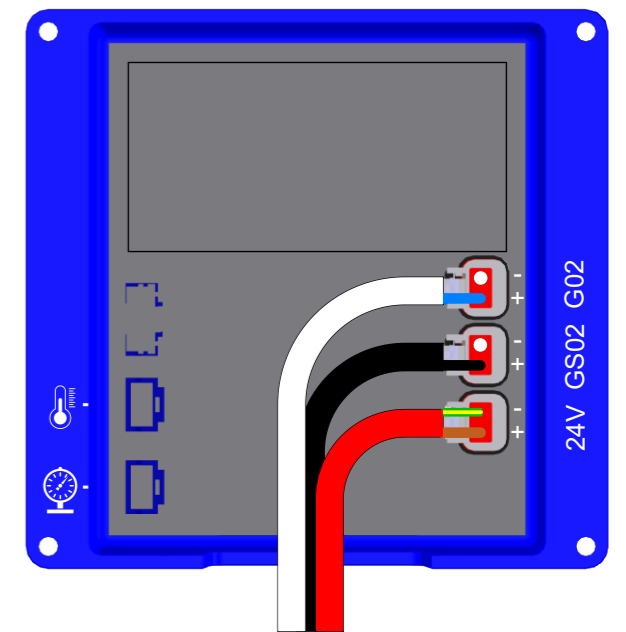
Art.no. 6104047



4-pin connector



cable 4 x 0,75 mm²



| | | | |
|------|------|------------|---|
| D | GG-C | 24-06-2021 | Updated; changed radio control set and receiver |
| E | GG-C | 13-01-2023 | Replaced radio control set (6104006) with IRCM (6104047), and CF-RX box with receiver (6104048) |
| REV. | BY | DATE | DESCRIPTION |

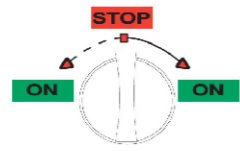
| | | | | |
|---|--|---------------------|-------------------------|-----------------------|
| TOLERANCES UNLESS OTHERWISE STATED: | | SIZE: A3 | STATUS: Released | ART. NO.: - |
| PROJECT: CF500 + all other types | | | | DIMENSIONS: MM [INCH] |
| DESCRIPTION: Electric drawing E | | | | MATERIAL: - |
| DRAWN: | | SCALE: 1:1 | SHEET: 1/1 | |
| APR. BY: | | APR. DATE: 8-3-2017 | | |
| TREATMENT: | | | | |
| CATEGORY: | | | | |
| DRAWING NUMBER: | | | | Page E1 |
| DEBURR SHARP EDGES | | WEIGHT: 0.00 KG | | |

OPTION IRCM REMOTE CONTROL

Art.no. 6104047

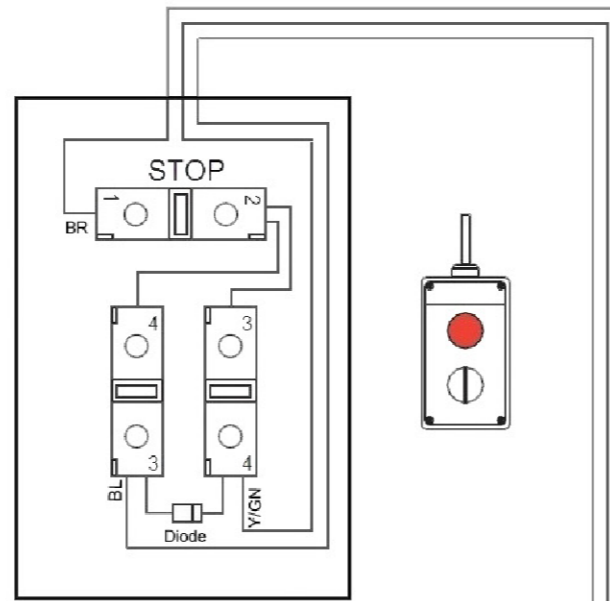


STOP

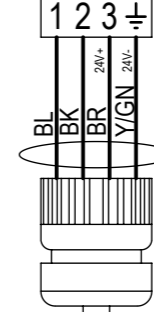


5 004-B.10-14

 Art. nr. 6104010 CF 4



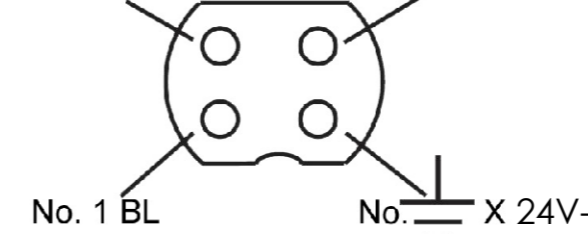
4-pin connector



cable 4 x 0,75 mm²

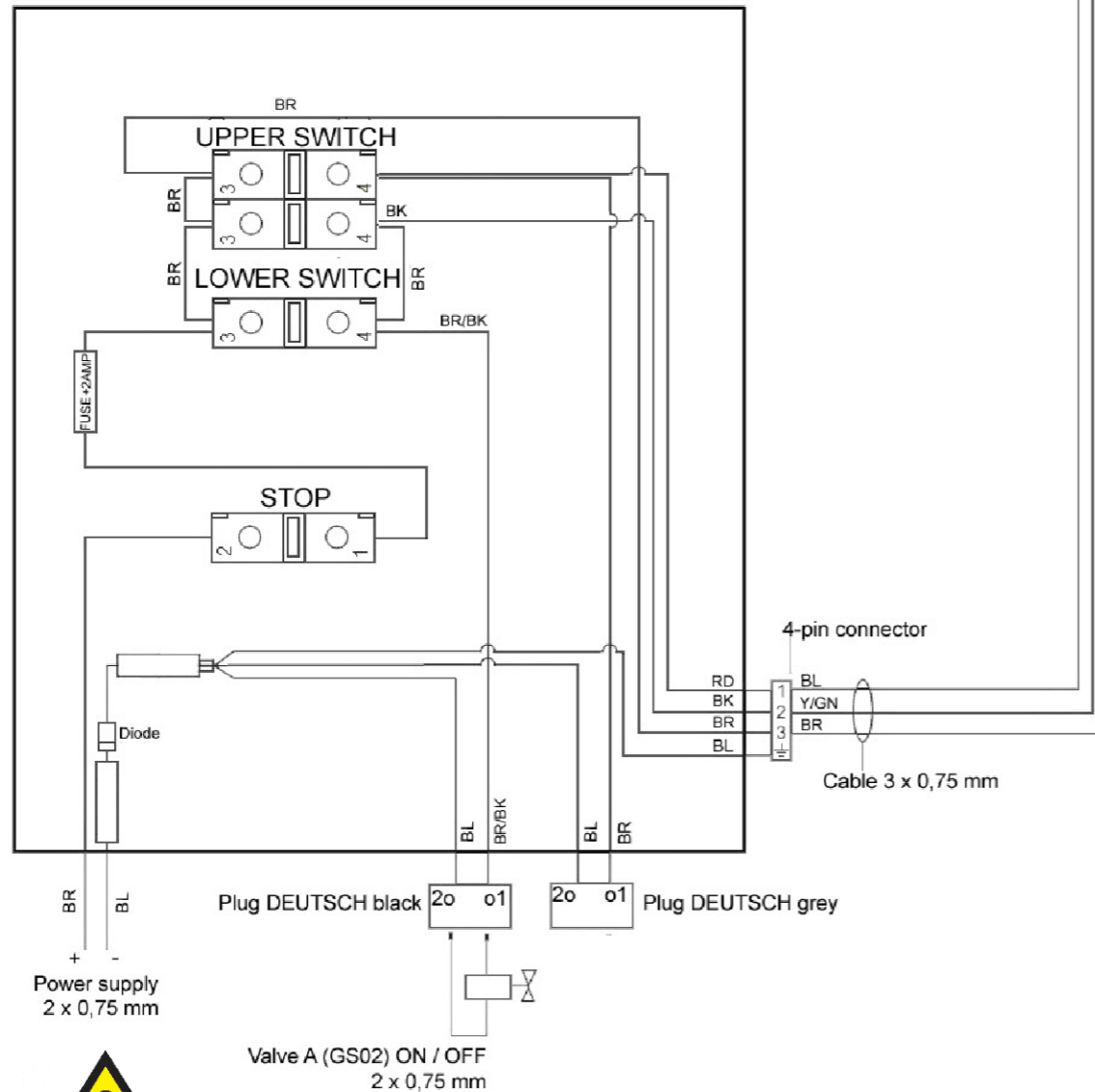
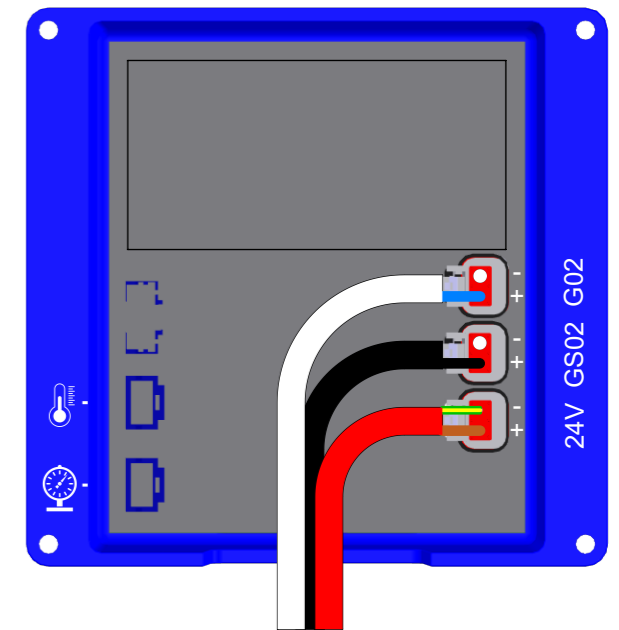
Plug CF8

No. 2 Y/GN No. 3 BR 24V+

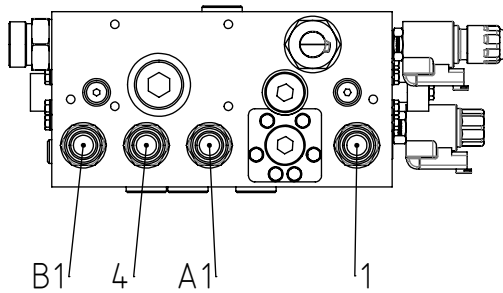
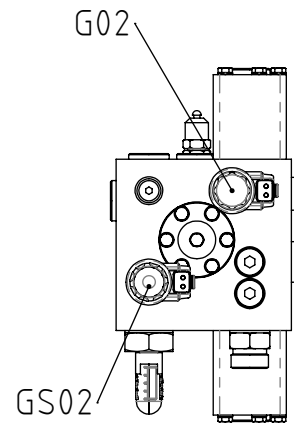
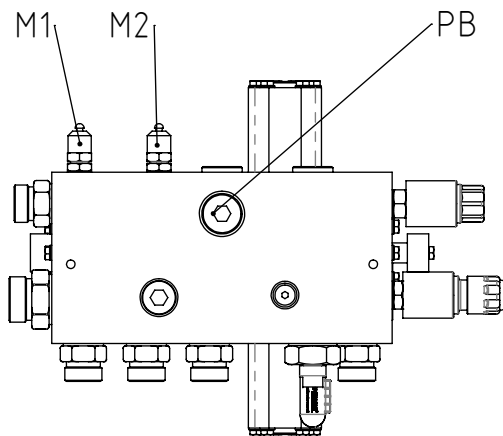
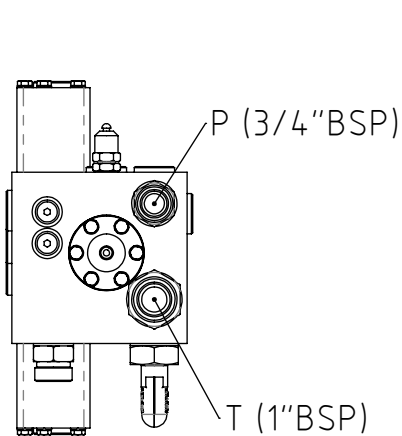
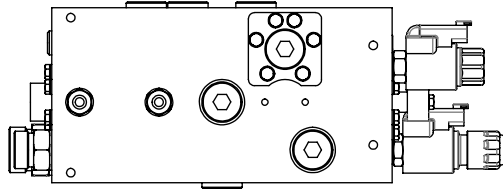
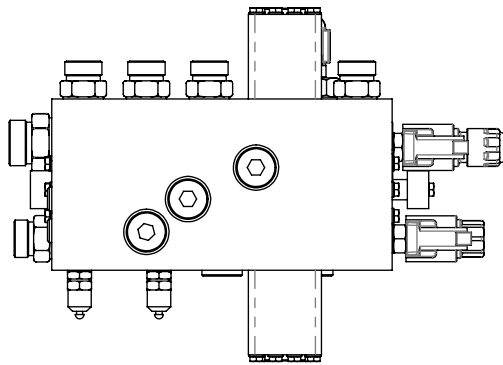


Socket CF7

No. 3 BR 24V+ No. 2 BK
 No. 1 BL 24V- No. 4 RD



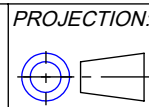
| | | | |
|--|------|------------|---|
| C | GG-C | 24-06-2021 | Updated; changed radio control set and receiver |
| D | GG-C | 13-01-2023 | Replaced radio control set (6104006) with IRCM (6104047), and CF-RX box with receiver (6104048) |
| REV. | BY | DATE | DESCRIPTION |
| TOLERANCES UNLESS OTHERWISE STATED: | | | |
| | | | SIZE: A3 STATUS: Released |
| PROJECT: CF500 + all other types | | | ART. NO.: - |
| DESCRIPTION: Electric drawing B | | | DIMENSIONS: MM [INCH] |
| | | | MATERIAL: - |
| | | | SCALE: 1:1 SHEET: 1/1 |
| | | | DRAWN: DR. DATE: 8-3-2017 |
| | | | APR. BY: APR. DATE: |
| | | | TREATMENT: |
| | | | CATEGORY: |
| PROJECTION: | | | DRAWING NUMBER: |
| Byte 14 NL-7741 MK Coevorden Phone : +31-524-593900 E-mail : info@cargofloor.com | | | Page E2 DEBURR SHARP EDGES WEIGHT: 0.00 KG |
| THIS DRAWING IS THE PROPERTY OF CARGO FLOOR B.V. AND MUST NOT BE COPIED OR REPRODUCED WITHOUT THEIR WRITTEN AUTHORITY (ISO 16016:2016) | | | |



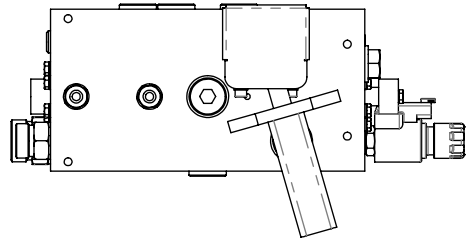
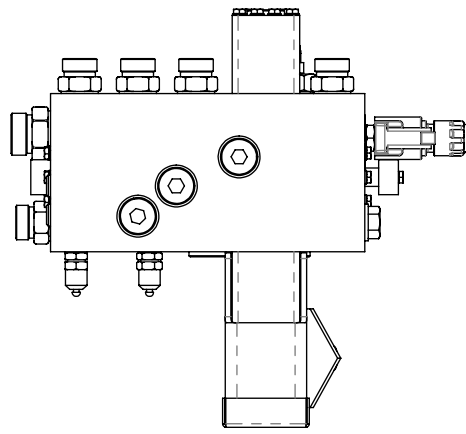
| | | | |
|---|----|-----------------------|-------------------------|
| CONCEPT+ | | | |
| REV. | BY | DATE | DESCRIPTION |
| TOLERANCES UNLESS OTHERWISE STATED: ±0,5mm | | COLOR: | SIZE: A4 STATUS: |
| PROJECT: | | ART. NO.: | |
| DESCRIPTION: | | DIMENSIONS: MM [INCH] | |
| Control valve 02 "E" operation | | MATERIAL: - | |
| | | SCALE: 1:6 | SHEET: 1/1 |
| | | DRAWN: Braakman | DR. DATE: 12-09-2012 |
| | | APR. BY: | APR. DATE: |
| | | TREATMENT: | |
| | | CATEGORY: | |



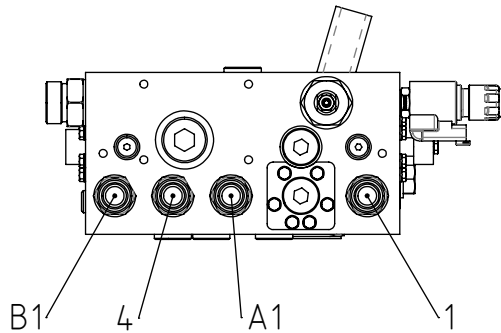
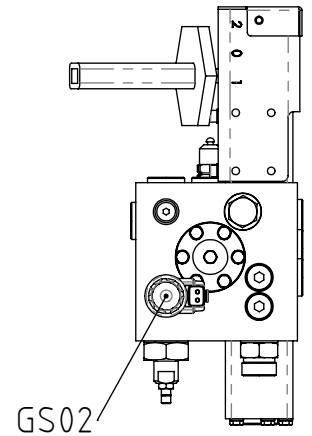
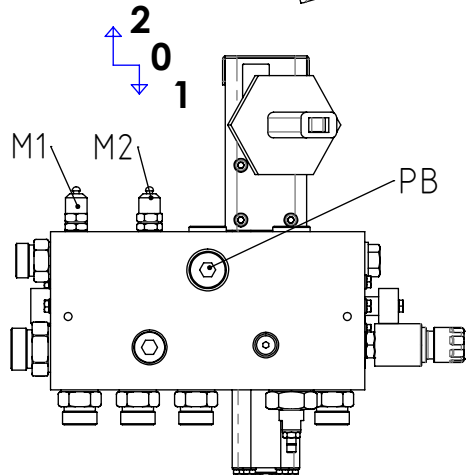
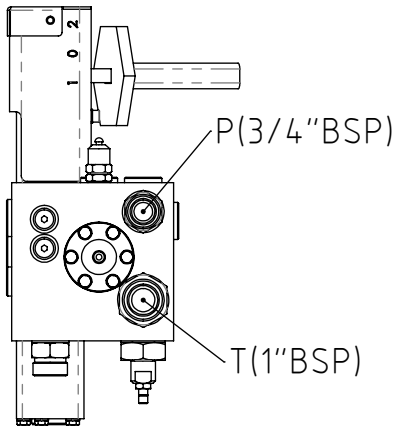
Byte 14
 NL-7741 MK Coevorden
 Phone : +31-524-593900
 E-mail : info@cargofloor.com


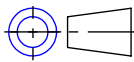


PROJECTION: DRAWING NUMBER: **Page BV1**
 DEBURR SHARP EDGES WEIGHT: 16.96 KG

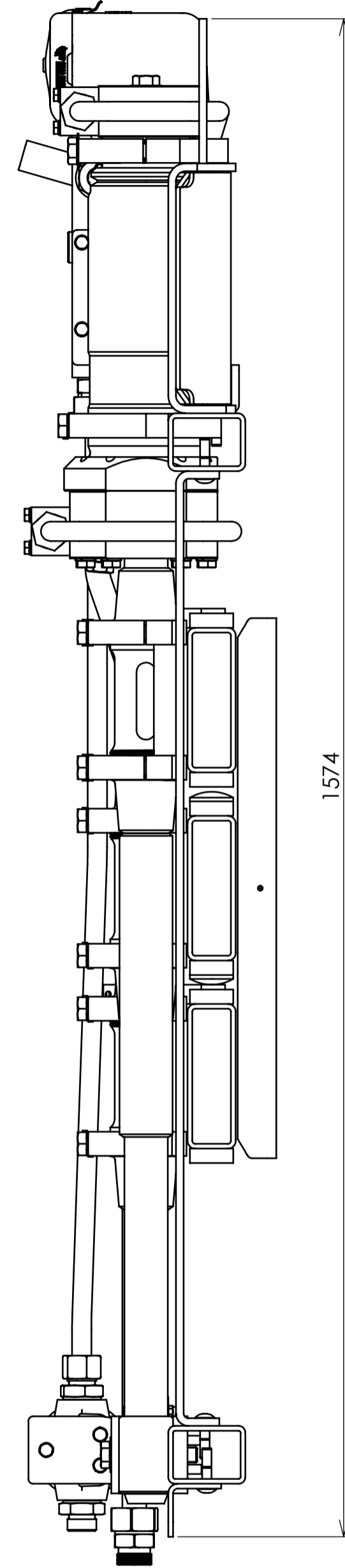


| | |
|----------|--|
| 1 | Laden, load, Beladen, Charger |
| 2 | Stop, Stop Halt, Arrêt |
| 3 | Lossen, Unload, Entladen, Décharger |

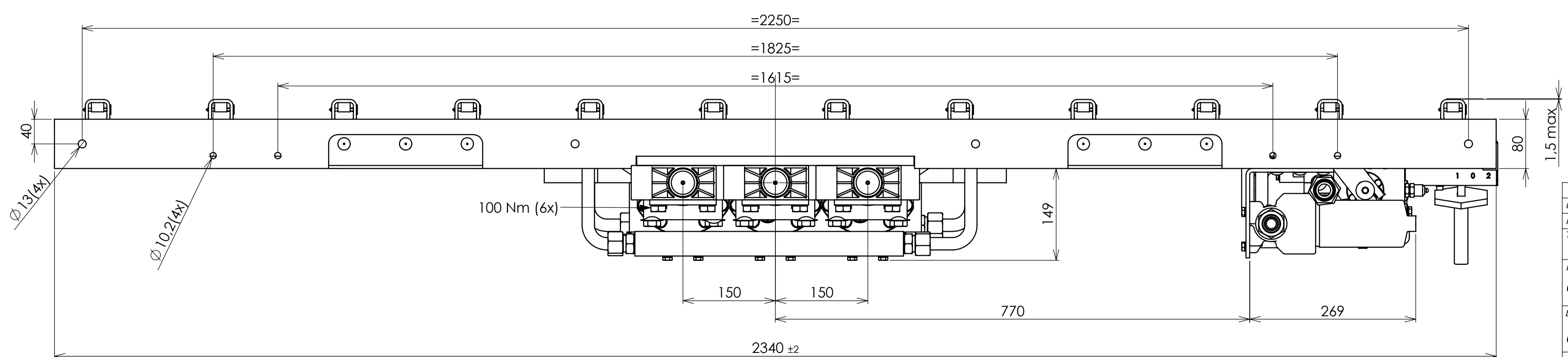
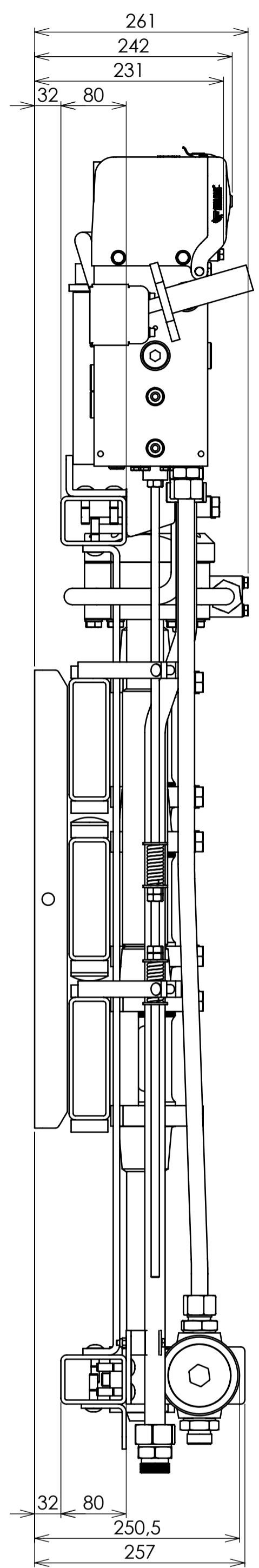
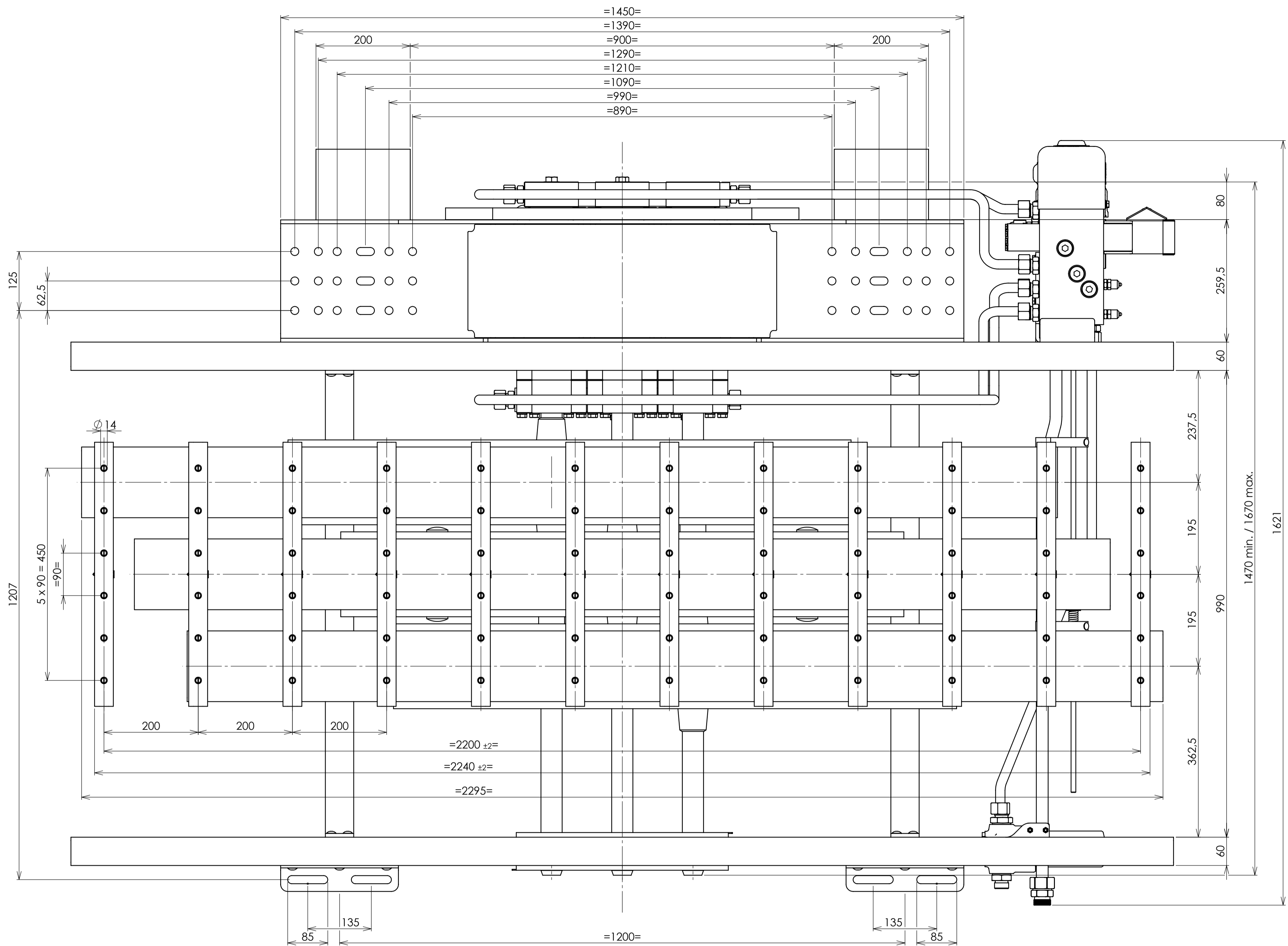


| | | | |
|---|----|--|--|
| C+ | | | |
| D.01 | - | - | Update A4 sheet size |
| REV. | BY | DATE | DESCRIPTION |
| TOLERANCES UNLESS OTHERWISE STATED: ±0,5mm | | COLOR: | SIZE: A4 STATUS: Concept |
| PROJECT: | | ART. NO.: | DIMENSIONS: MM [INCH] |
| DESCRIPTION: | | MATERIAL: <i>Materiaal</i> | SCALE: 1:6.5 SHEET: 1/1 |
| Control valve 02 "B" operation | | DRAWN: HZ | DR. DATE: 12-09-2012 |
| | | APR. BY: - | APR. DATE: - |
| | | TREATMENT: | |
| CATEGORY: | | DRAWING NUMBER: | Page BV2 |
|  | | PROJECTION:  | DEBURR SHARP EDGES WEIGHT: 18.97 KG |
| Byte 14 NL-7741 MK Coevorden Phone : +31-524-593900 E-mail : info@cargofloor.com | | THIS DRAWING IS THE PROPERTY OF CARGO FLOOR B.V. AND MUST NOT BE COPIED OR REPRODUCED WITHOUT THEIR WRITTEN AUTHORITY (ISO 16016:2016) | |

TER INFORMATIE
FOR INFORMATION
ZUR INFORMATION



1574



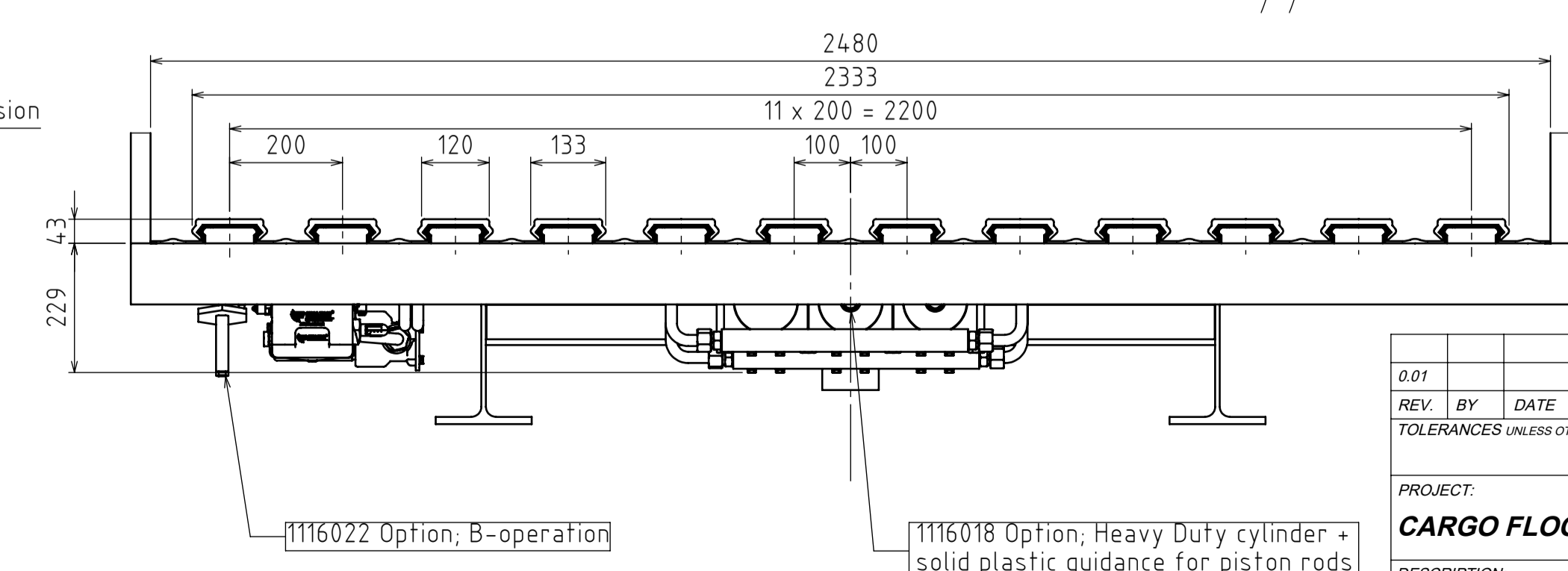
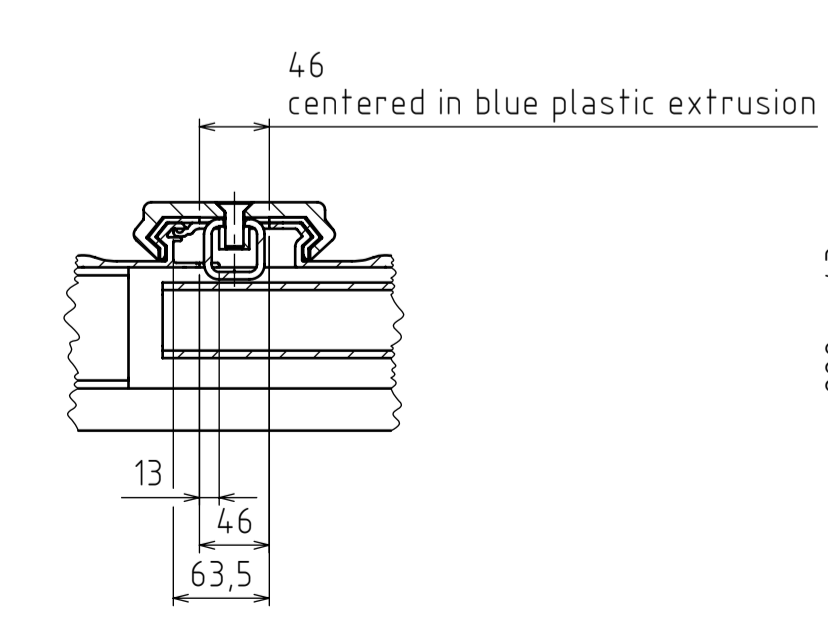
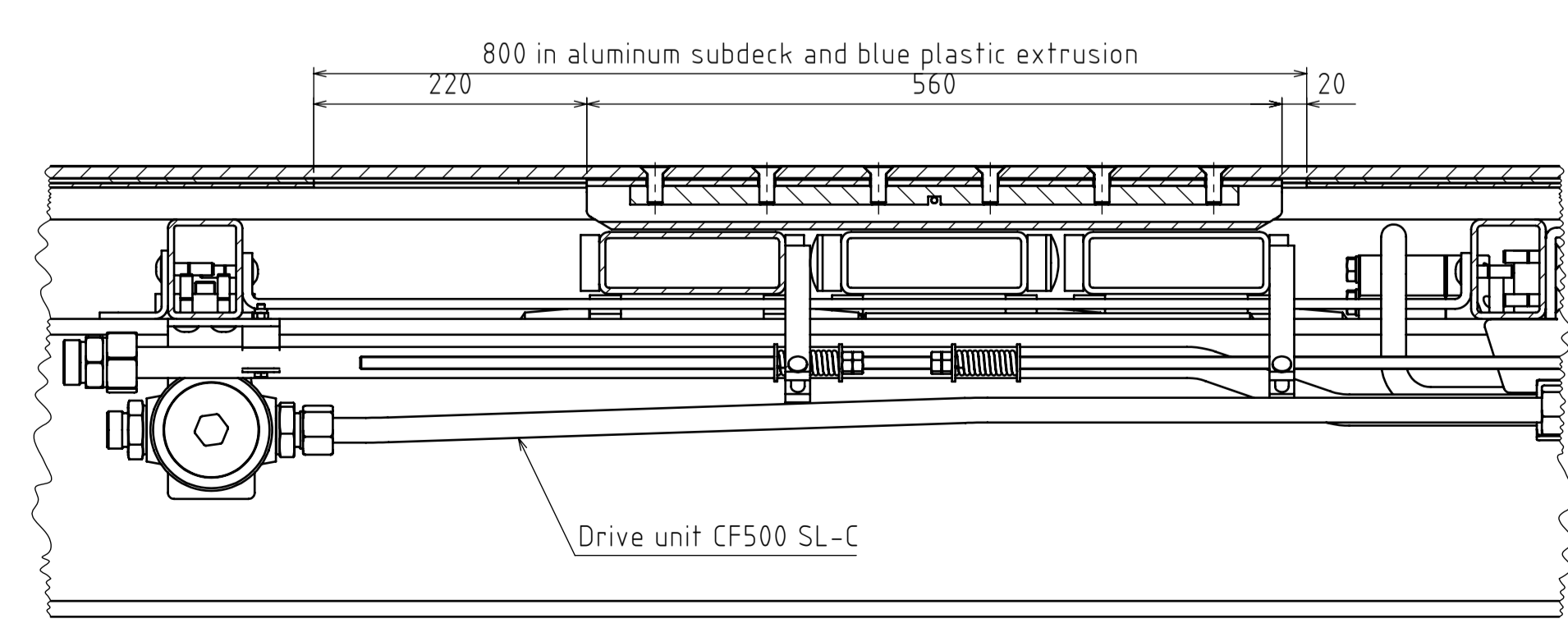
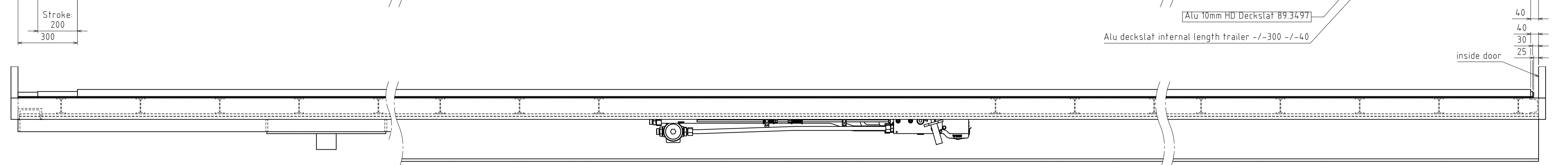
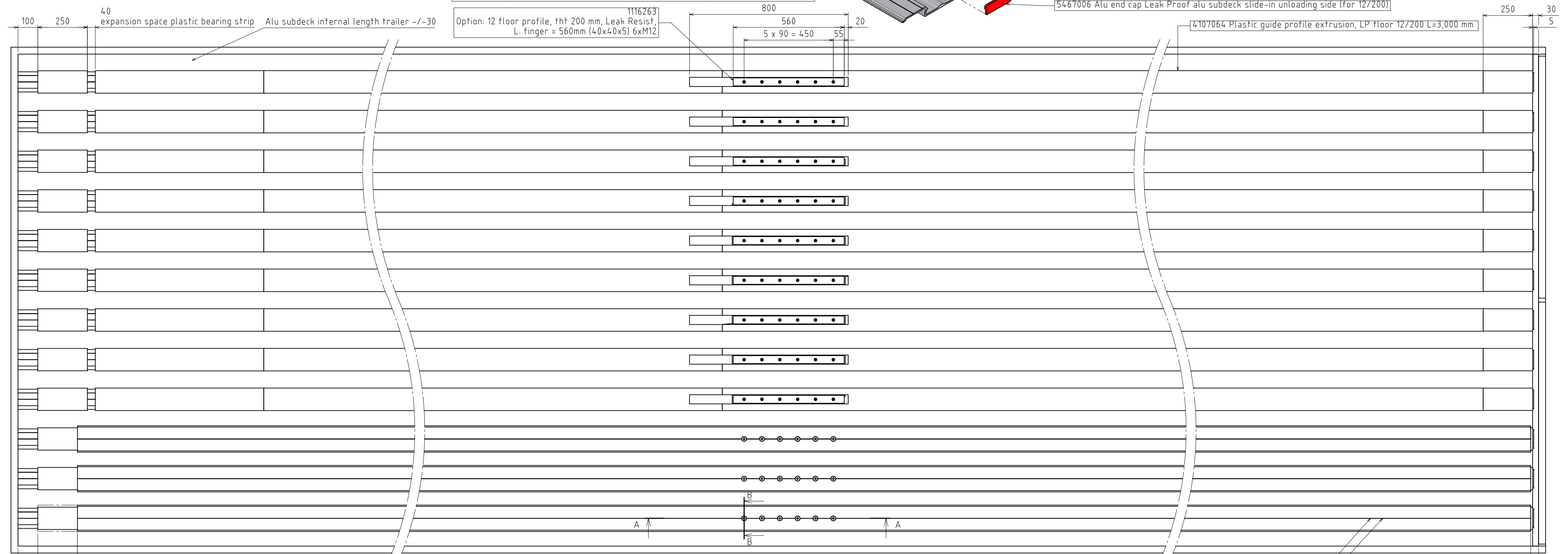
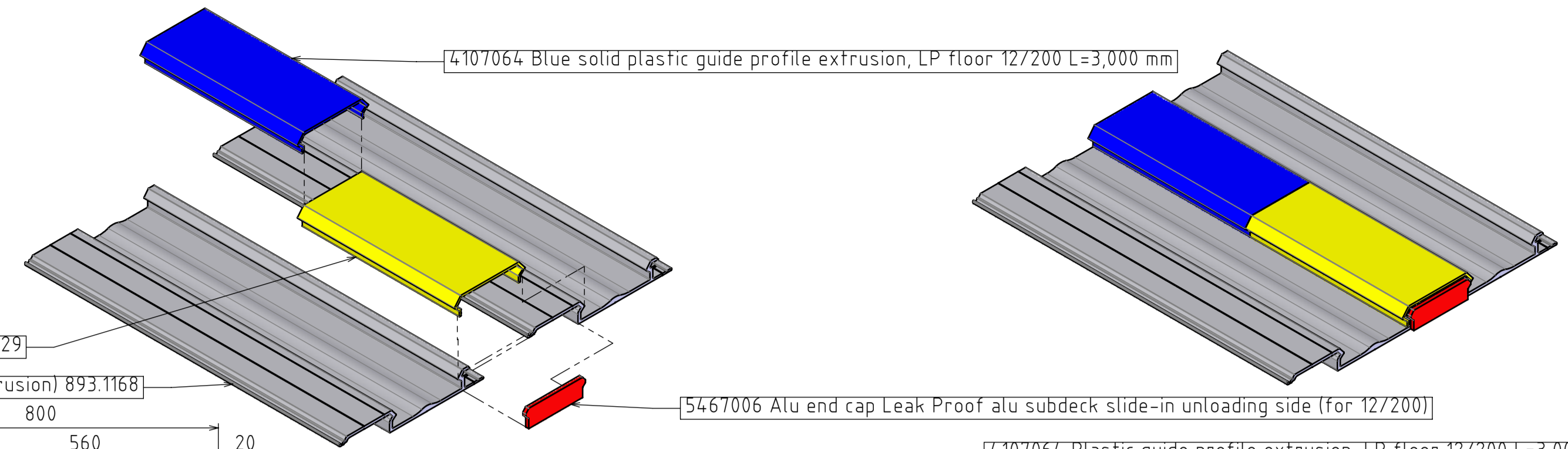
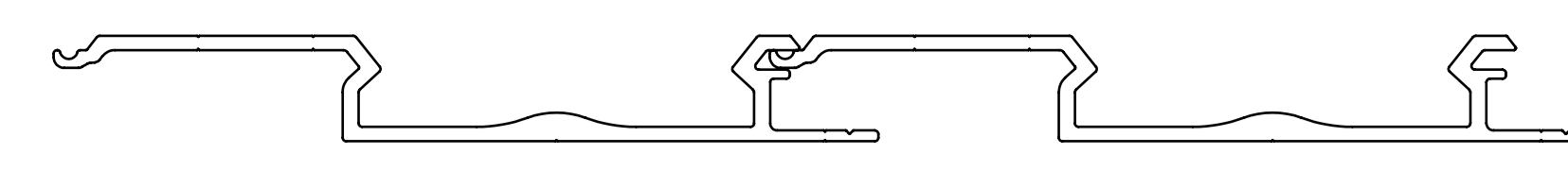
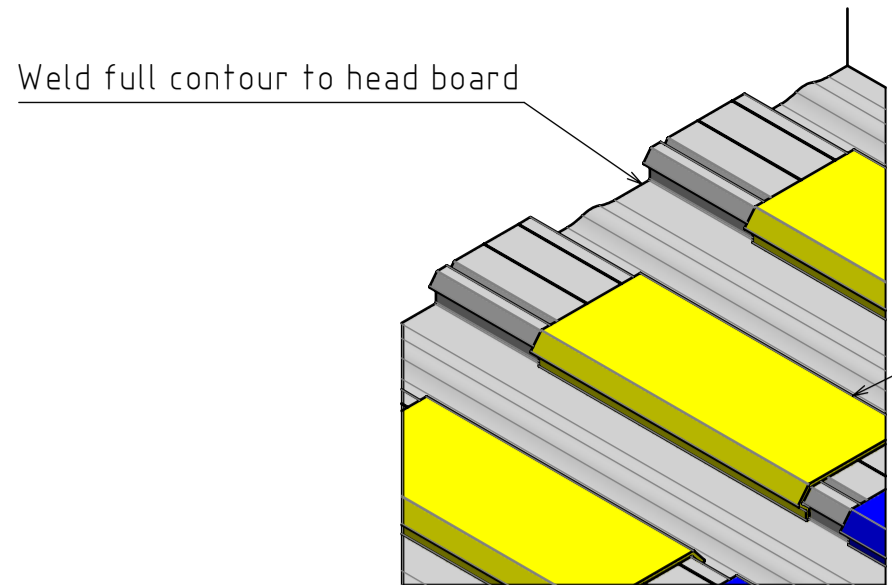
Max. working pressure in pressure pipe : 225 bar
 Max. working pressure in return pipe : 10 bar
 Qmax. : 110 L/min.
 Qmin. : 15 L/min.
 V/Cyclus : 8,5 L
 Preservative : Primer
 Mass : not measured

Tightening torque for all bolts M16 is 150 Nm, unless otherwise stated.
 Tightening torque for all bolts M8 is 30 Nm

Cylinder no. 1 : VDW 100/45 x 200 -Drw. 001-001-957
 Cylinder no. 2 : VDW 100/45 x 200 -Drw. 001-001-964
 Cylinder no. 3 : VDW 100/45 x 200 -Drw. 001-001-966
 Control valve : E-control -Drw. D1750
 Hydraulic diagram -Drw. 90150

| 0 | HO | 14-06-2023 | - |
|--|----|------------|-----------------------|
| REV. | BY | DATE | DESCRIPTION |
| TOLERANCES (UNLESS OTHERWISE STATED): | | | COLOR: |
| ±0,5mm | | | None |
| PROJECT: | | SIZE: | STATUS: |
| CF500 SL-C L-shape | | A1 | Released |
| ART. NO.: | | | DIMENSIONS: MM (INCH) |
| MATERIAL: | | | SCALE: 1:5 SHEET: 1/1 |
| DRAWN: HO | | | DR. DATE: 30-5-2023 |
| DESCRIPTION: | | | APR. BY: NM |
| CF500 SL-C H80 12-200 B 6xM12 c.t.c. 90 | | | APR. DATE: 15-06-2023 |
| CATEGORY: SYSTEM | | | TREATMENT: |
| DRAWING NUMBER: | | | PROJECTION: |
| 0018543 | | | DEBURR SHARP EDGES |
| Byte 14 NL-7741 MK Coevorden Phone: +31-524-583900 E-mail: info@cargo-floor.com | | | WEIGHT: 480,58 KG |

THIS DRAWING IS THE PROPERTY OF CARGO FLOOR B.V. AND MUST NOT BE COPIED OR REPRODUCED WITHOUT THEIR WRITTEN AUTHORITY (ISO 18016:2016)

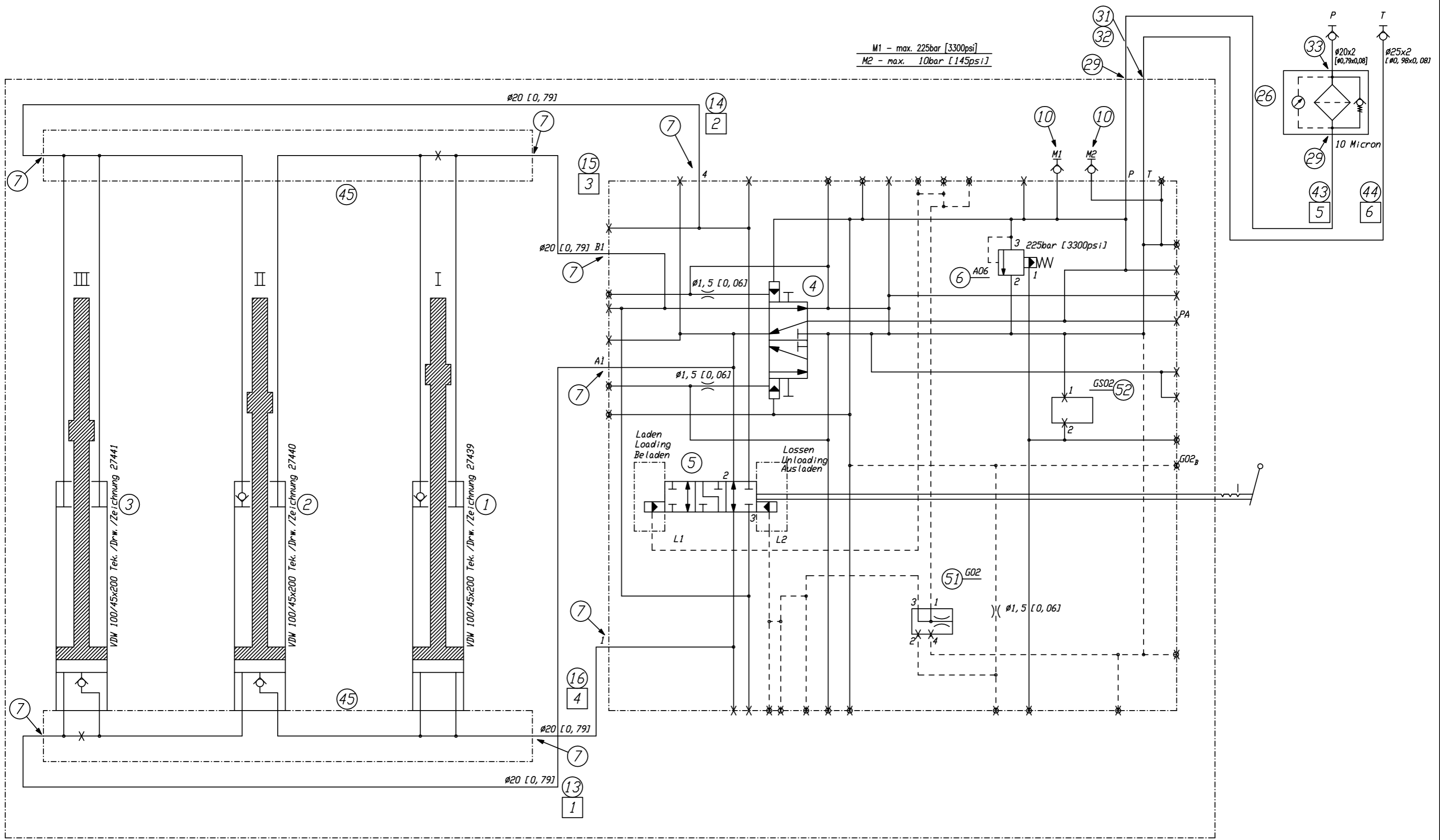


| 0.01 | | | | | | | | | |
|--|----|------|---------------------------------------|-----------|----------------|--|------------------------|--|--|
| REV. | BY | DATE | DESCRIPTION | SIZE | STATUS | ART. NO. | DIMENSIONS: MM (INCH) | | |
| | | | TOLERANCES (UNLESS OTHERWISE STATED): | | | | MATERIAL: | | |
| | | | COLOR: | A1 | Concept | | SCALE: 1:10 SHEET: 1/1 | | |
| PROJECT: | | | | | | DRAWN: GG-C DR. DATE: 18-7-2023 | | | |
| CARGO FLOOR CF500 SLC LEAK RESIST | | | | | | APR. BY: APR. DATE: | | | |
| DESCRIPTION: | | | | | | TREATMENT: | | | |
| Trailer floor lay-out for LR alu subdeck slide-in 12/200 | | | | | | CATEGORY: | | | |
| PROJECTION: | | | | | | DRAWING NUMBER: 0018815 | | | |
| | | | | | | Byte 14 NL-7741 MK Coevorden Phone: +31-524-583900 E-mail: info@cargo-floor.com | | | |
| THIS DRAWING IS THE PROPERTY OF CARGO FLOOR B.V. AND MUST NOT BE COPIED OR REPRODUCED WITHOUT THEIR WRITTEN AUTHORITY (ISO 18016:2016) | | | | | | | | | |

SECTION A-A
SCALE 1:5

SECTION B-B
90° - SCALE 1:5

M1 - max. 225bar [3300psi]
M2 - max. 10bar [145psi]



ACHTERZIJDE CHASSIS
RUCKSEITE CHASSIS
BACKSIDE FRAME
DERRIERE DE CHASSIS

ONDERAANZICHT
UNTERANSICHT
BOTTOM VIEW
VUE DESSOUS

METRIC [IMPERIAL]



Cargo Floor B.V.
Byte 14
NL-7741 MK Coevorden
Phone: +31-524-593900
E-mail: info@cargo-floor.com

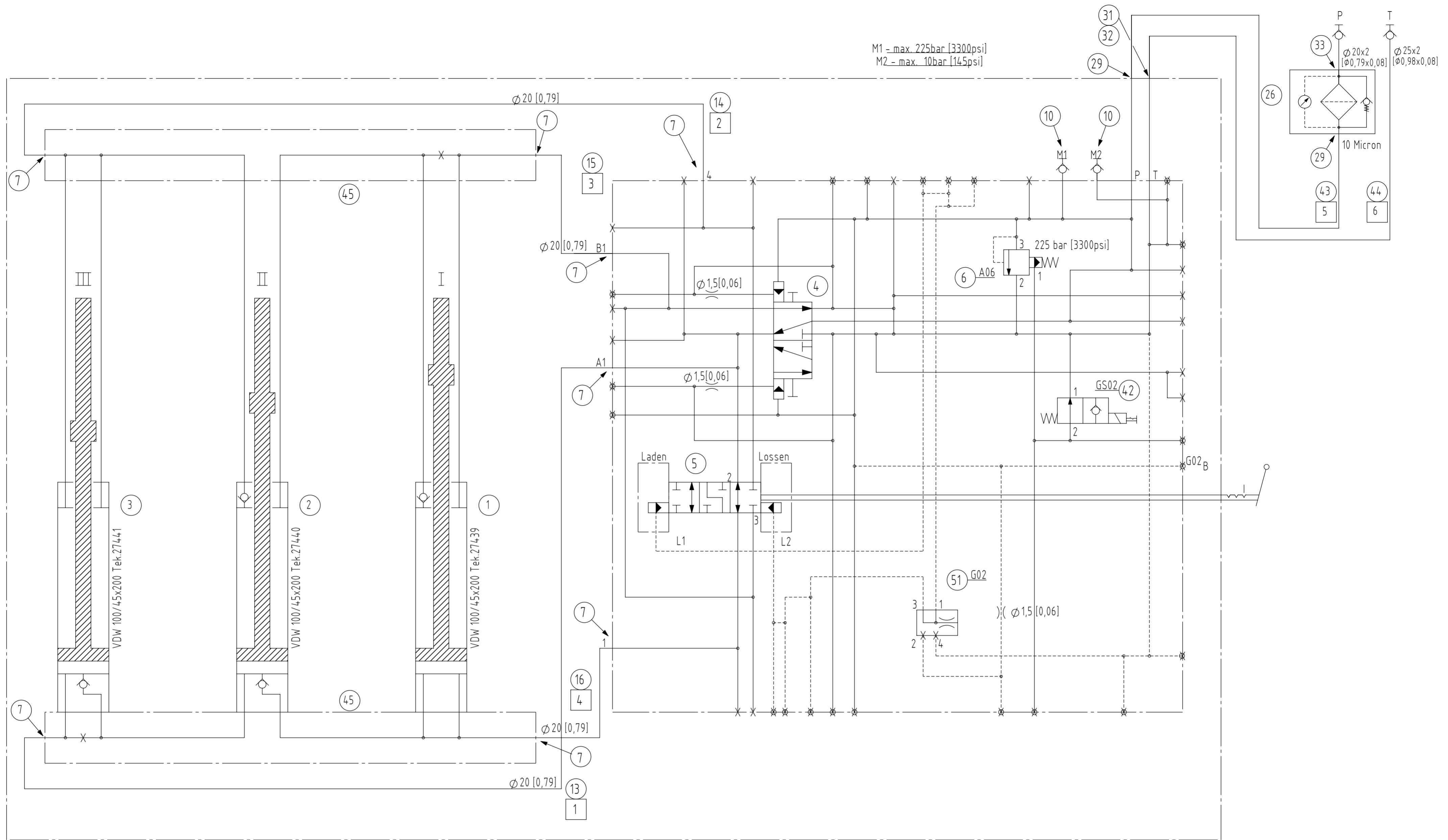
PROJECT:
CF500 SL-C
SUBJECT:
A-bediening / A-Control / A-Bedienung


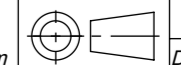
ORDER: ...
DATE: 12-09-12
DRAWN: H.Z.

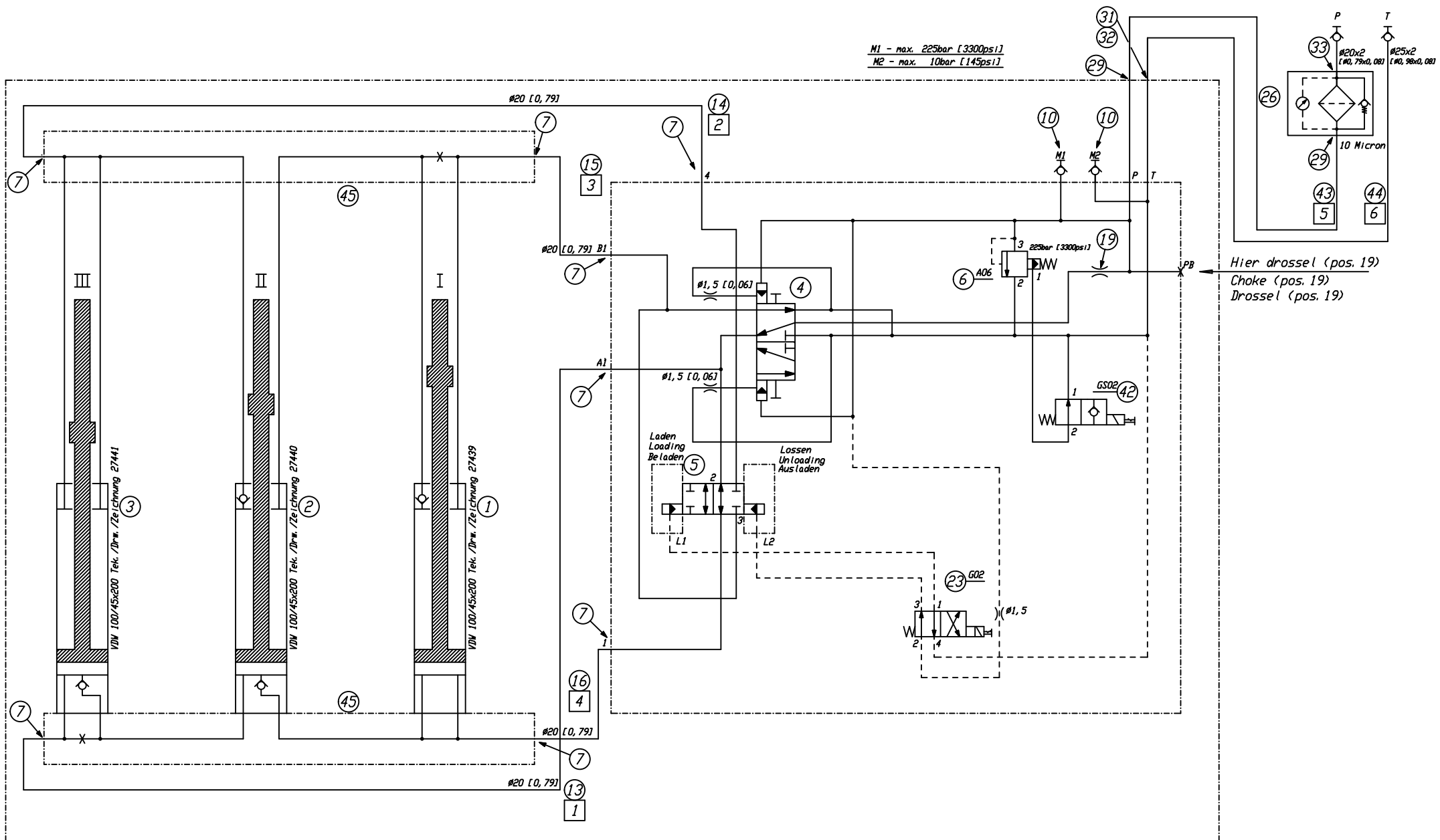
| | | | |
|-----|----------|-----------------|------|
| B | 19-12-17 | Format modified | H.O. |
| A | 10-06-13 | Metric+Imperial | MP |
| REV | DATE | CHANGES | BY |

PAGE ...
DRAWING NUMBER :
Page H1-A

THIS DRAWING IS THE PROPERTY OF CARGO FLOOR B.V. AND MUST NOT BE COPIED OR REPRODUCED WITHOUT THEIR WRITTEN AUTHORITY (ISO 16016:2016)



| | | | | | | | | |
|--|----|------------|-----------------|--|-----------------|--|-----------|--|
| 0 | HO | 01-11-2024 | - | | | | | |
| A | HO | 05-11-2024 | Metric+Imperial | | | | | |
| REV. | BY | DATE | DESCRIPTION | | | | | |
| TOLERANCES UNLESS OTHERWISE STATED: | | | | COLOR: | SIZE: A2 | STATUS: Released | ART. NO.: | |
| PROJECT: | | | | DIMENSIONS: MM [INCH] | | MATERIAL: S235JR (1.0037) | | |
| CF500 SL-C | | | | SCALE: 1:1 | SHEET: 1/1 | DRAWN: HO DR. DATE: 31-10-2024 | | |
| DESCRIPTION: | | | | APR. BY: ES APR. DATE: 05-11-2024 | | TREATMENT: | | |
| B-bedienung / B-control / B-Bedienung | | | | CATEGORY: | | DRAWING NUMBER: | | |
|  | | | | PROJECTION:  | | Page H1-B DEBURR SHARP EDGES WEIGHT: 0.00 KG | | |
| Byte 14 NL-7741 MK Coevorden Phone : +31-524-593900 E-mail : info@cargo-floor.com | | | | THIS DRAWING IS THE PROPERTY OF CARGO FLOOR B.V. AND MUST NOT BE COPIED OR REPRODUCED WITHOUT THEIR WRITTEN AUTHORITY (ISO 16016:2016) | | | | |



M1 - max. 225bar [3300psi]
M2 - max. 10bar [145psi]

Hier drossel (pos. 19)
Choke (pos. 19)
Drossel (pos. 19)

ACHTERZIJDE CHASSIS
RUCKSEITE CHASSIS
BACKSIDE FRAME
DERRIERE DE CHASSIS

ONDERAANZICHT
UNTERANSICHT
BOTTOM VIEW
VUE DESSOUS

METRIC [IMPERIAL]



Cargo Floor B.V.
Byte 14
NL-7741 MK Coevorden
Phone: +31-524-593900
E-mail: info@cargo-floor.com

PROJECT:
CF500 SL-C

SUBJECT:
E-bediening / E-Control / E-Bedienung

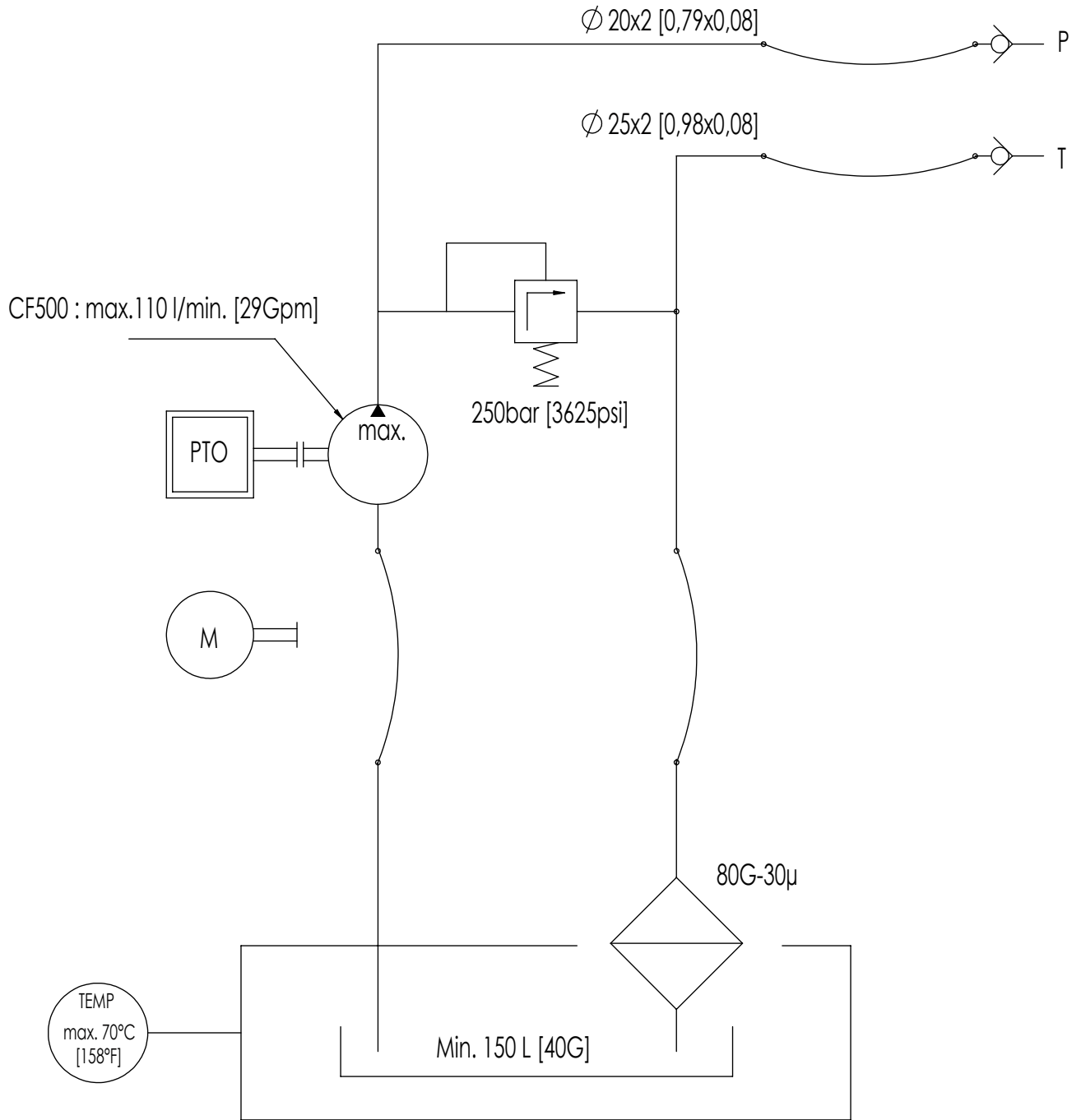
ORDER: ...
DATE: 12-09-12
DRAWN: H.Z.

| | | | |
|-----|----------|-----------------|------|
| C | 13-05-20 | Lines removed | ES |
| B | 19-12-17 | Format modified | H.O. |
| A | 10-06-13 | Metric-Imperial | MP |
| REV | DATE | CHANGES | BY |

PAGE ...

DRAWING NUMBER : **Page H1-E**

THIS DRAWING IS THE PROPERTY OF CARGO FLOOR B.V. AND MUST NOT BE COPIED OR REPRODUCED WITHOUT THEIR WRITTEN AUTHORITY (ISO 16016:2016)



| 0 | HO | 01-11-2024 | - |
|------|----|------------|---------------|
| A | HO | 05-11-2024 | Layout update |
| REV. | BY | DATE | DESCRIPTION |

| | | | | |
|-------------------------------------|--------|--------------------|----------------------------|-----------|
| TOLERANCES UNLESS OTHERWISE STATED: | COLOR: | SIZE: A4 | STATUS: Released | ART. NO.: |
|-------------------------------------|--------|--------------------|----------------------------|-----------|

| | | |
|-----------------------|----------------------|---------------------------|
| DIMENSIONS: MM [INCH] | | MATERIAL: S235JR (1.0037) |
| SCALE: - | SHEET: 1/1 | |
| DRAWN: HO | DR. DATE: 05-10-2012 | |

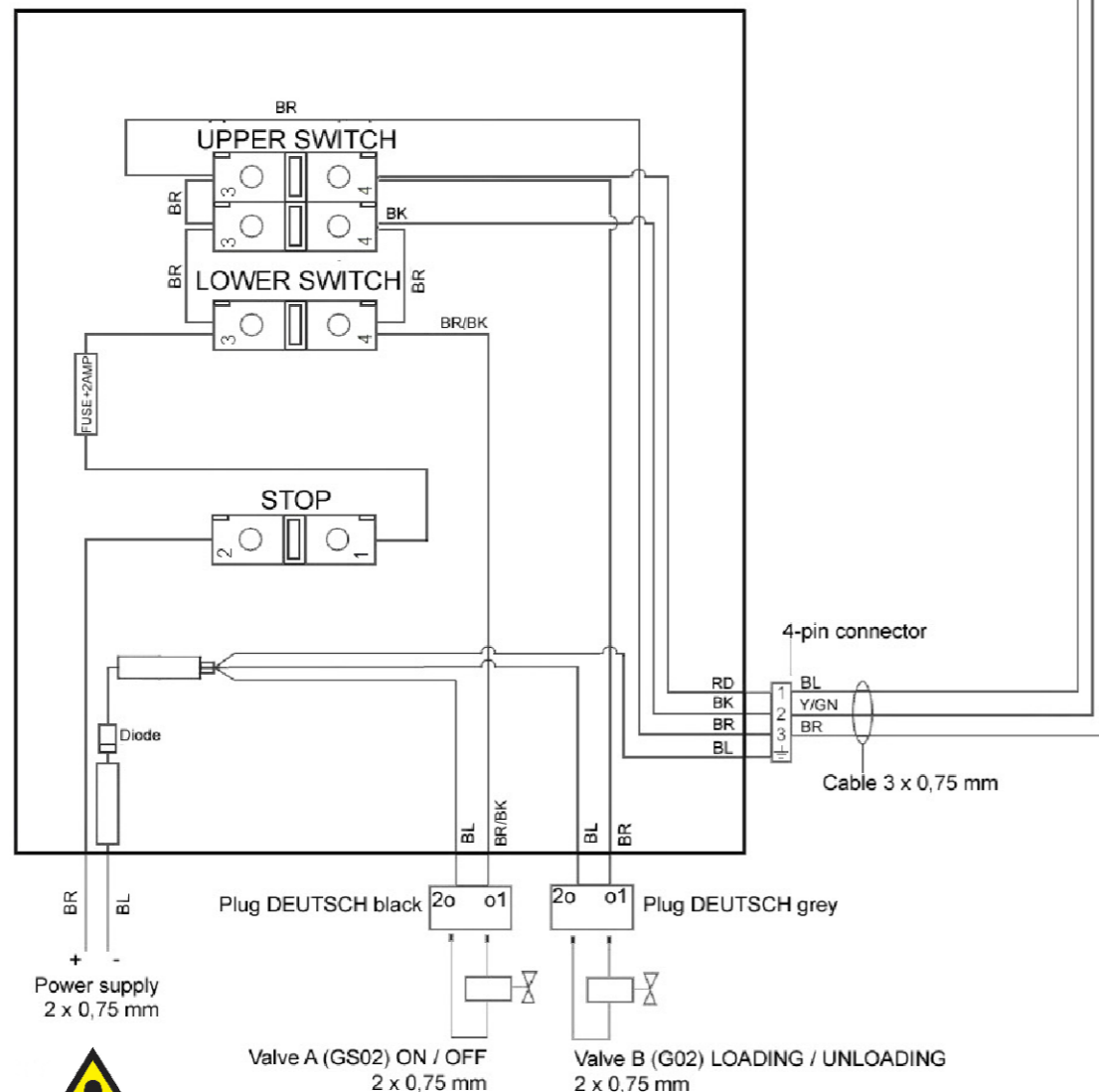
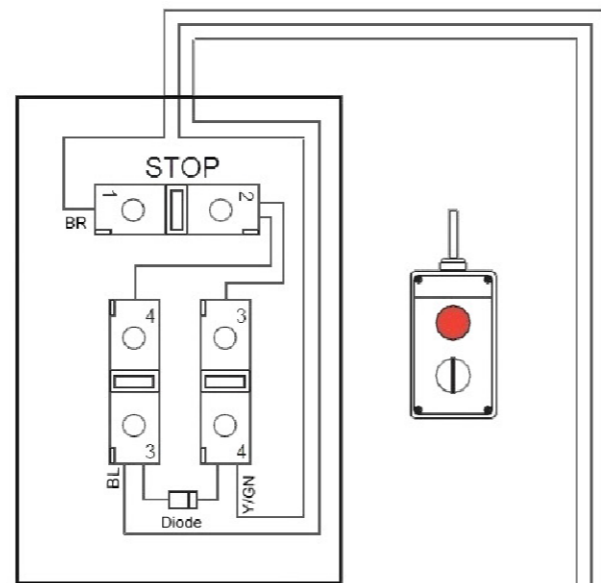
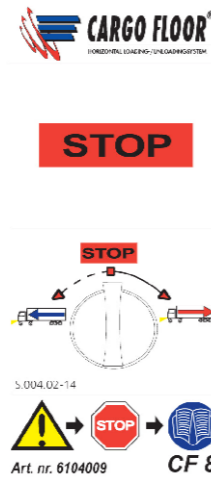
| | | |
|--|-------------|-----------------------|
| DESCRIPTION: | APR. BY: ES | APR. DATE: 05-11-2024 |
| Aansluiting / Connection / Anschlüsse | | |
| TREATMENT: | | |
| CATEGORY: | | |

| | | | | |
|--|---|-------------|--------------------|----------------|
| | Byte 14 NL-7741 MK Coevorden Phone : +31-524-593900 E-mail : info@cargofloor.com | PROJECTION: | DRAWING NUMBER: | Page H2 |
| | | | DEBURR SHARP EDGES | WEIGHT: 0.0 KG |

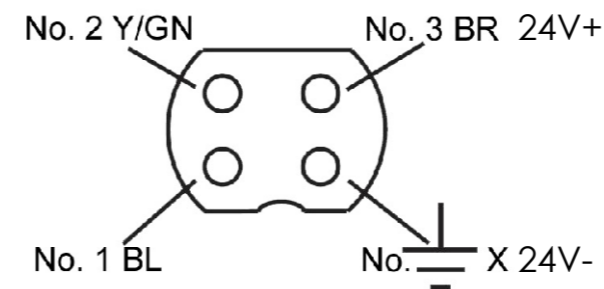
THIS DRAWING IS THE PROPERTY OF CARGO FLOOR B.V. AND MUST NOT BE COPIED OR REPRODUCED WITHOUT THEIR WRITTEN AUTHORITY (ISO 16016:2016)

OPTION IRCM REMOTE CONTROL

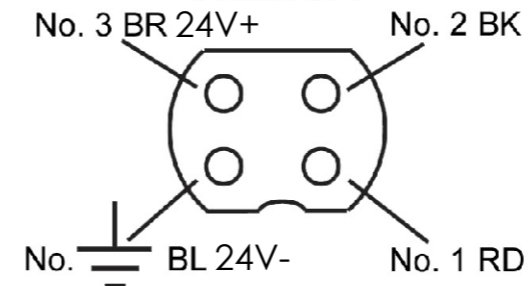
Art.no. 6104047



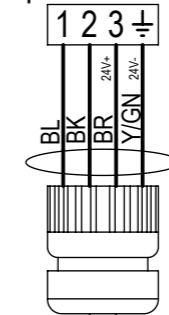
Plug CF8



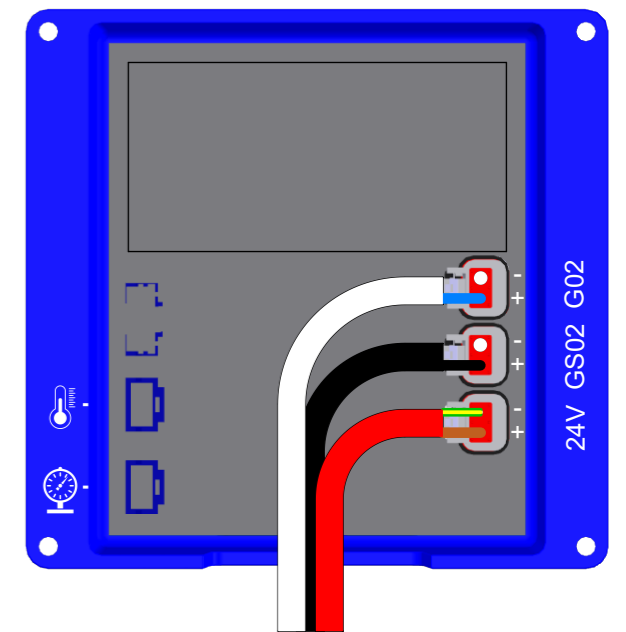
Socket CF7



4-pin connector



cable 4 x 0,75 mm²

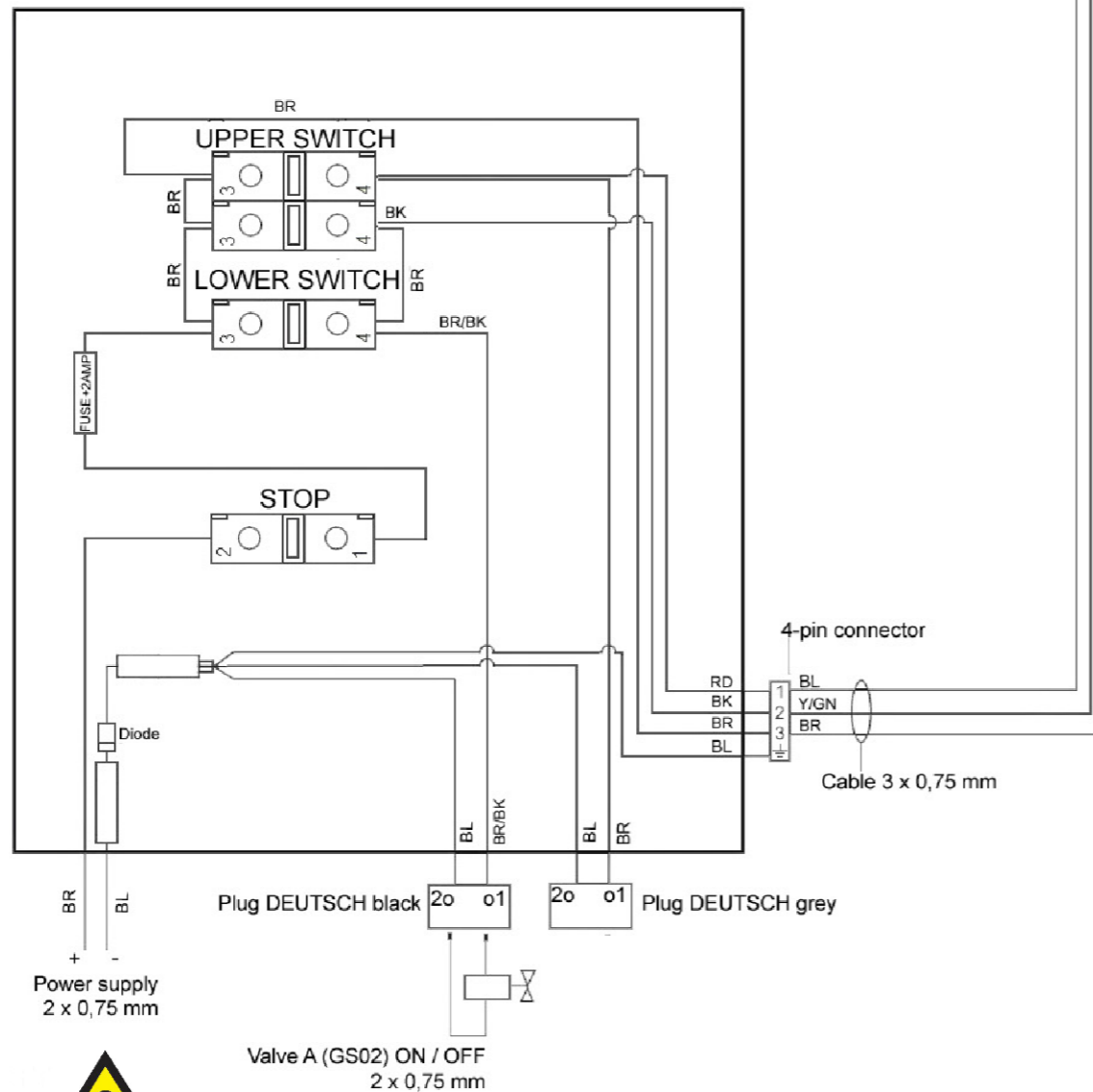
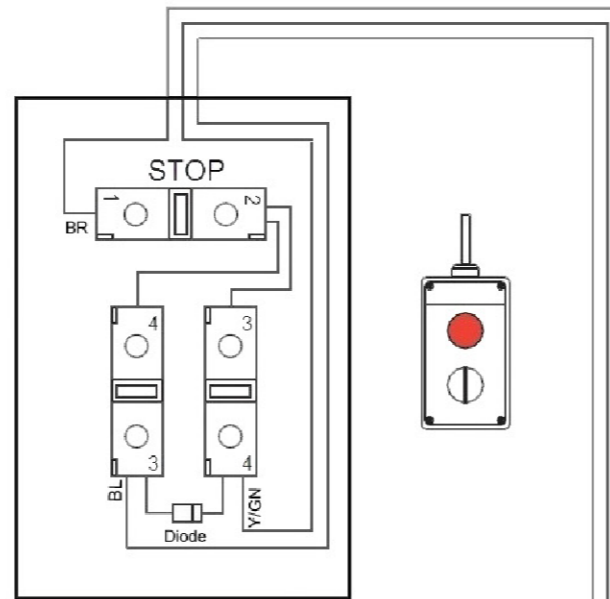
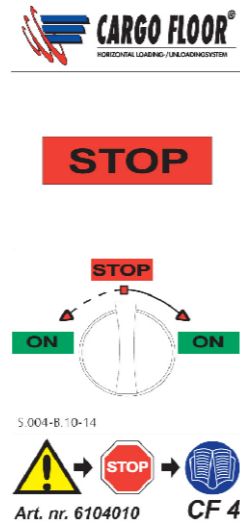


| | | | |
|------|------|------------|---|
| D | GG-C | 24-06-2021 | Updated; changed radio control set and receiver |
| E | GG-C | 13-01-2023 | Replaced radio control set (6104006) with IRCM (6104047), and CF-RX box with receiver (6104048) |
| REV. | BY | DATE | DESCRIPTION |

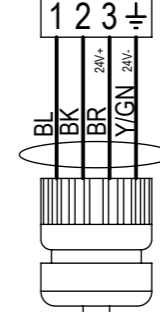
| | | | | |
|---|--|-----------------|-------------------------|-----------------------|
| TOLERANCES UNLESS OTHERWISE STATED: | | SIZE: A3 | STATUS: Released | ART. NO.: - |
| PROJECT: CF500 + all other types | | | | DIMENSIONS: MM [INCH] |
| DESCRIPTION: Electric drawing E | | | | MATERIAL: - |
| DRAWN: | | SCALE: 1:1 | SHEET: 1/1 | DR. DATE: 8-3-2017 |
| APR. BY: | | APR. DATE: | | |
| TREATMENT: | | | | |
| CATEGORY: | | | | |
| DRAWING NUMBER: | | | | Page E1 |
| DEBURR SHARP EDGES | | WEIGHT: 0.00 KG | | |

OPTION IRCM REMOTE CONTROL

Art.no. 6104047



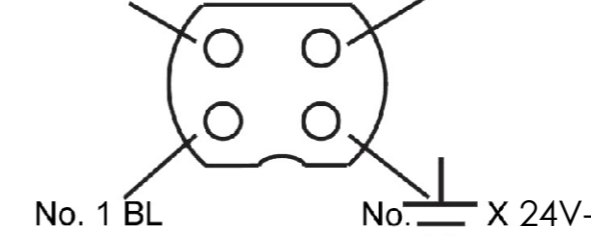
4-pin connector



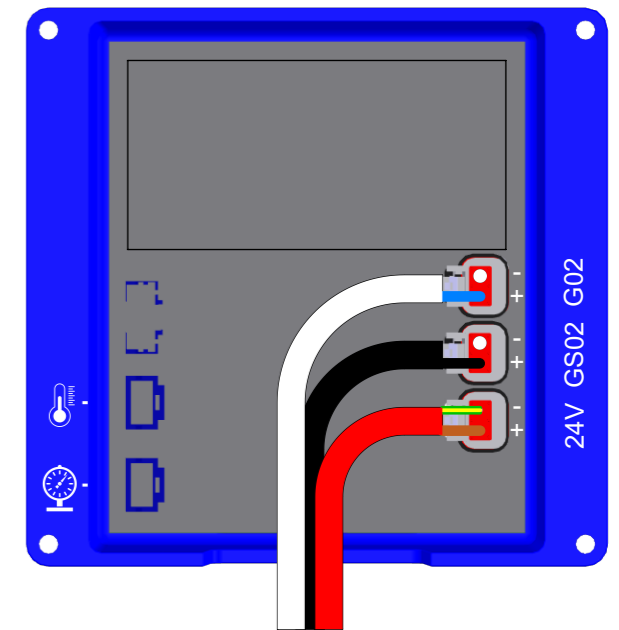
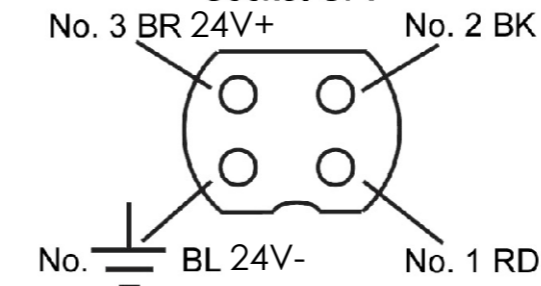
cable 4 x 0,75 mm²

Plug CF8

No. 2 Y/GN No. 3 BR 24V+



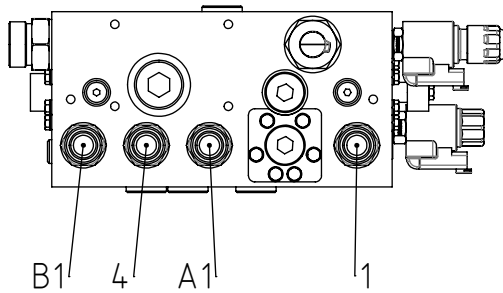
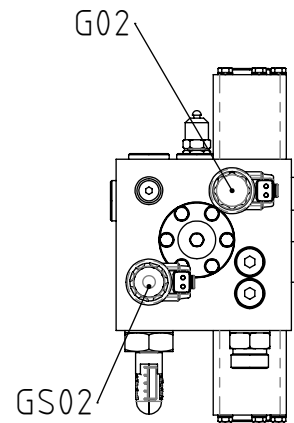
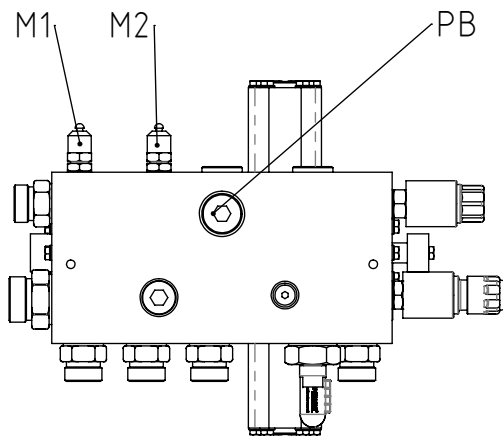
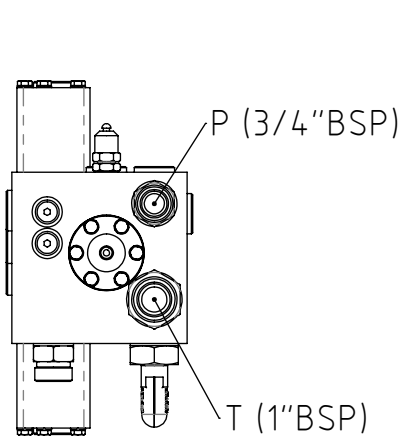
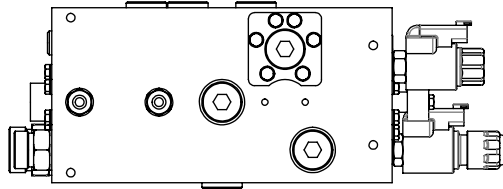
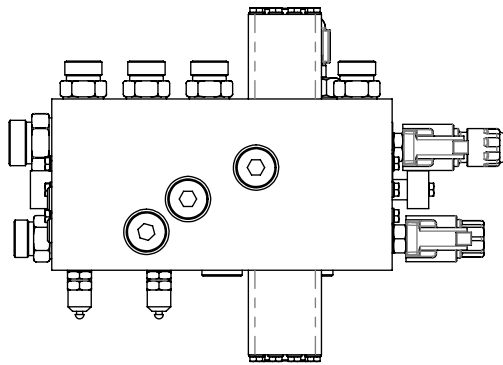
Socket CF7



| C | GG-C | 24-06-2021 | Updated; changed radio control set and receiver |
|------|------|------------|---|
| D | GG-C | 13-01-2023 | Replaced radio control set (6104006) with IRCM (6104047), and CF-RX box with receiver (6104048) |
| REV. | BY | DATE | DESCRIPTION |

| | | | | |
|---|--|---------------------|-------------------------|-----------------------|
| TOLERANCES UNLESS OTHERWISE STATED: | | SIZE: A3 | STATUS: Released | ART. NO.: - |
| PROJECT: CF500 + all other types | | | | DIMENSIONS: MM [INCH] |
| DESCRIPTION: Electric drawing B | | | | MATERIAL: - |
| DRAWN: | | SCALE: 1:1 | SHEET: 1/1 | |
| APR. BY: | | APR. DATE: 8-3-2017 | | |
| TREATMENT: | | | | |
| CATEGORY: | | | | |
| DRAWING NUMBER: | | | | Page E2 |
| DEBURR SHARP EDGES | | WEIGHT: 0.00 KG | | |

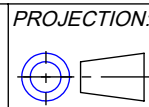
THIS DRAWING IS THE PROPERTY OF CARGO FLOOR B.V. AND MUST NOT BE COPIED OR REPRODUCED WITHOUT THEIR WRITTEN AUTHORITY (ISO 16016:2016)



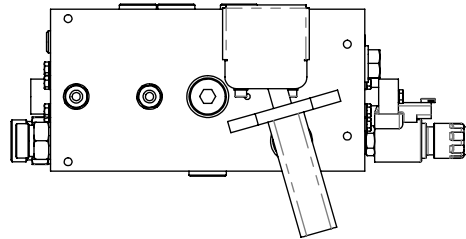
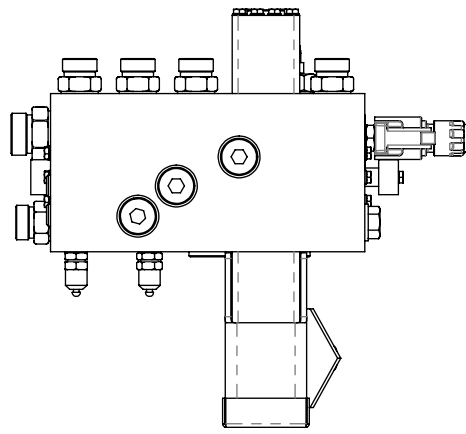
| | | | |
|---|----|-----------------------|-------------------------|
| CONCEPT+ | | | |
| REV. | BY | DATE | DESCRIPTION |
| TOLERANCES UNLESS OTHERWISE STATED: ±0,5mm | | COLOR: | SIZE: A4 STATUS: |
| PROJECT: | | ART. NO.: | |
| DESCRIPTION: | | DIMENSIONS: MM [INCH] | |
| Control valve 02 "E" operation | | MATERIAL: - | |
| | | SCALE: 1:6 | SHEET: 1/1 |
| | | DRAWN: Braakman | DR. DATE: 12-09-2012 |
| | | APR. BY: | APR. DATE: |
| | | TREATMENT: | |
| | | CATEGORY: | |



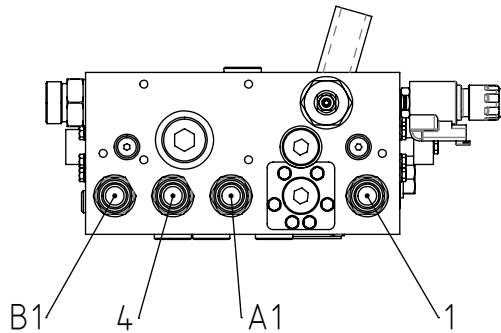
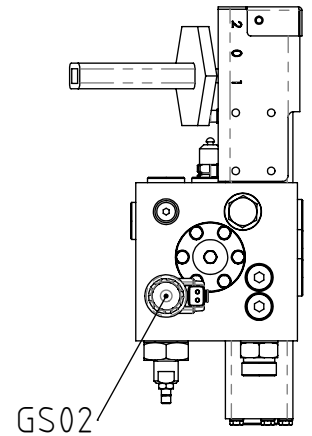
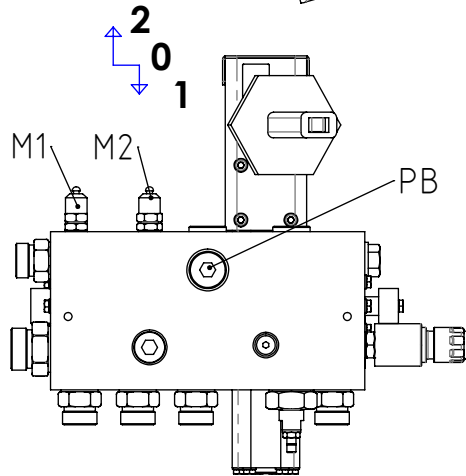
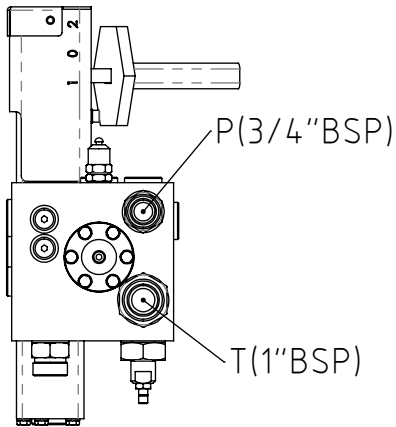
Byte 14
 NL-7741 MK Coevorden
 Phone : +31-524-593900
 E-mail : info@cargofloor.com


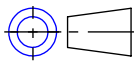


PROJECTION: DRAWING NUMBER: **Page BV1**
 DEBURR SHARP EDGES WEIGHT: 16.96 KG



| | |
|----------|--|
| 1 | Laden, load, Beladen, Charger |
| 2 | Stop, Stop Halt, Arrêt |
| 3 | Lossen, Unload, Entladen, Décharger |



| | | | |
|--|----|--------|--|
| C+ | | | |
| D.01 | - | - | Update A4 sheet size |
| REV. | BY | DATE | DESCRIPTION |
| TOLERANCES UNLESS OTHERWISE STATED: | | COLOR: | SIZE: STATUS: |
| ±0,5mm | | | A4 Concept |
| PROJECT: | | | ART. NO.: |
| DESCRIPTION: | | | DIMENSIONS: MM [INCH] |
| Control valve 02 "B" operation | | | MATERIAL: <i>Materiaal</i> |
| | | | SCALE: 1:6.5 SHEET: 1/1 |
| DRAWN: HZ DR. DATE: 12-09-2012 | | | APR. BY: - APR. DATE: - |
| CATEGORY: | | | TREATMENT: |
| DRAWING NUMBER: | | | DEBURR SHARP EDGES WEIGHT: 18.97 KG |
|  | | | PROJECTION:  |
| Byte 14 NL-7741 MK Coevorden Phone : +31-524-593900 E-mail : info@cargofloor.com | | | Page BV2 |
| THIS DRAWING IS THE PROPERTY OF CARGO FLOOR B.V. AND MUST NOT BE COPIED OR REPRODUCED WITHOUT THEIR WRITTEN AUTHORITY (ISO 16016:2016) | | | |