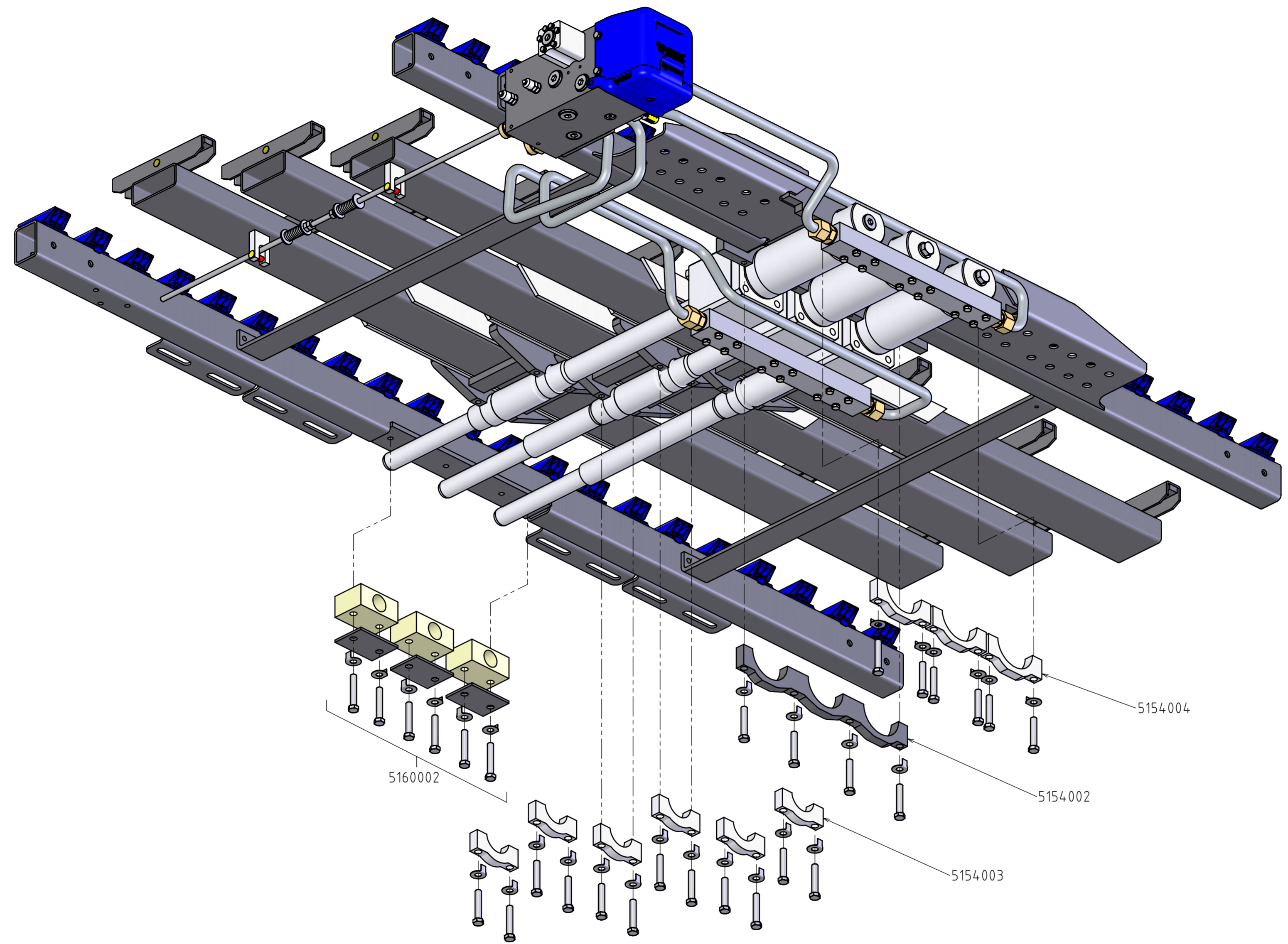


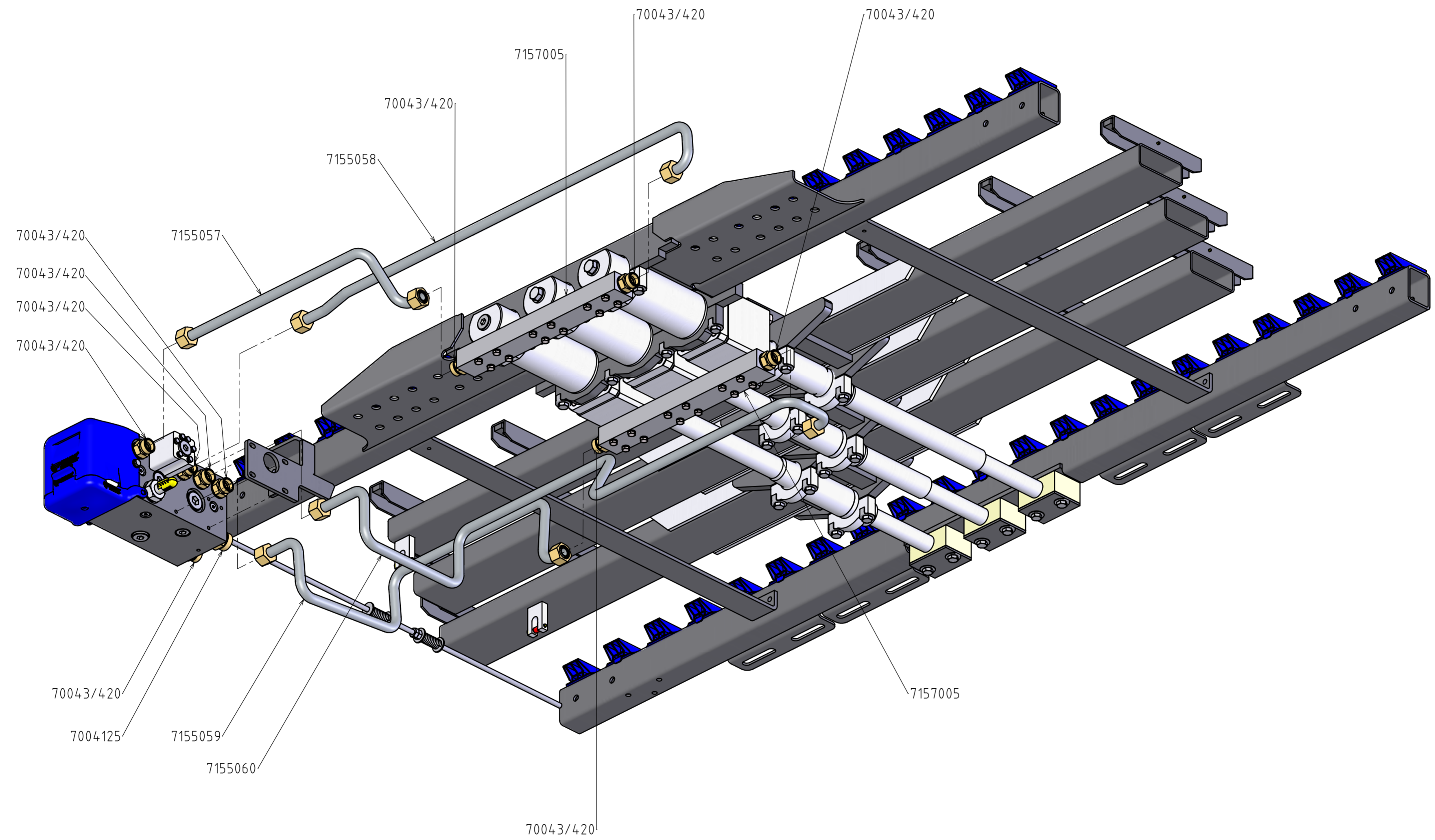

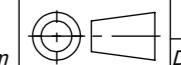


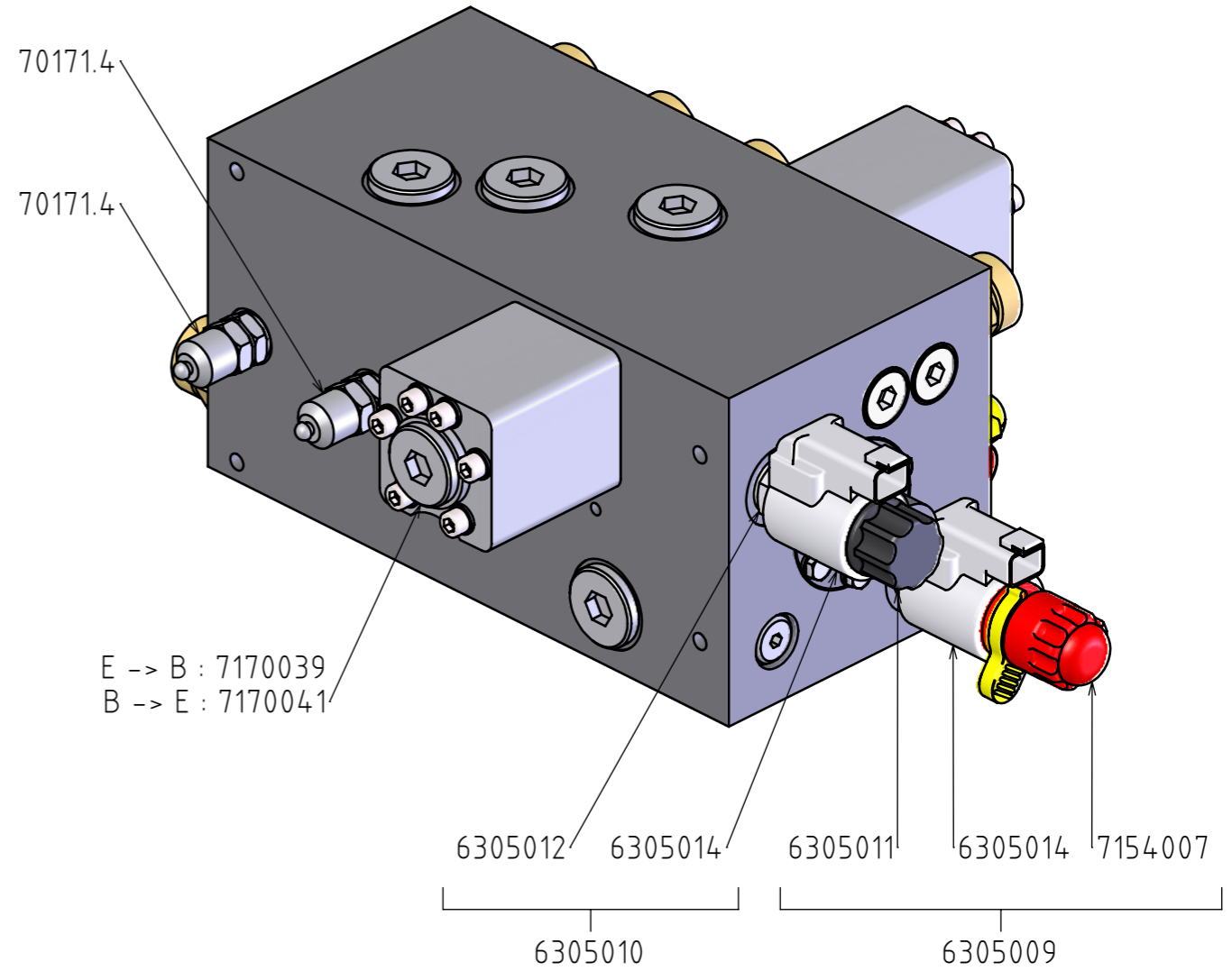
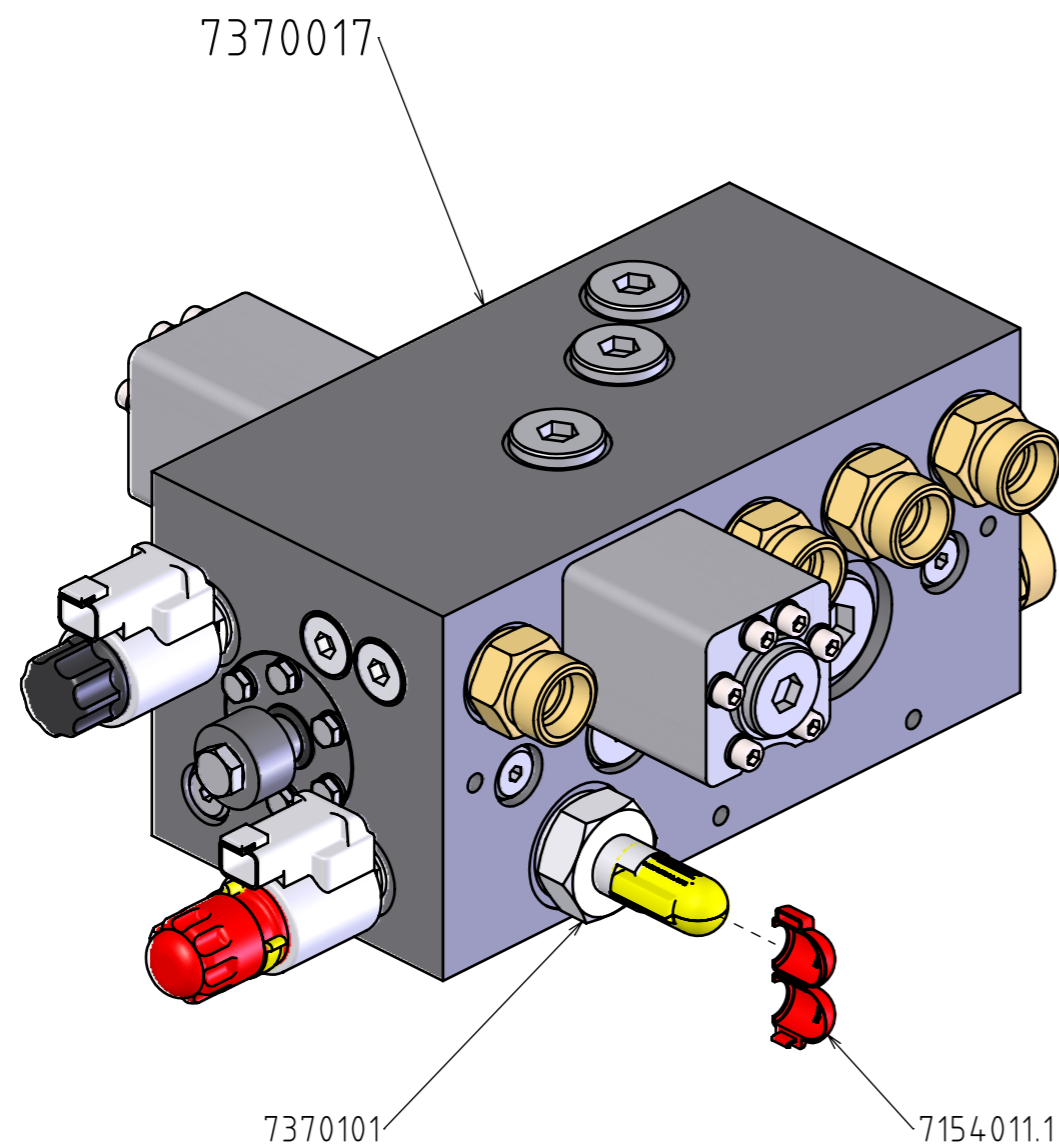
0	GG-C	15-05-2025	-						
REV.	BY	DATE	DESCRIPTION	TOLERANCES UNLESS OTHERWISE STATED:		COLOR:	SIZE:	STATUS:	ART. NO.:
							A2	Released	DIMENSIONS: MM [INCH]
PROJECT:									MATERIAL: -
Exploded views CF100 SLL									SCALE: 1:6 SHEET: 1/3
DESCRIPTION:									DRAWN: GG-C DR. DATE: 26-11-2024
Assembly drawing									APR. BY: ES APR. DATE: 15-05-2025
									TREATMENT:
									CATEGORY:
									DRAWING NUMBER: 0021755
							PROJECTION:		WEIGHT: 344.95 KG
Byte 14 NL-7741 MK Coevorden Phone : +31-524-593900 E-mail : info@cargofloor.com							DEBURR SHARP EDGES		
THIS DRAWING IS THE PROPERTY OF CARGO FLOOR B.V. AND MUST NOT BE COPIED OR REPRODUCED WITHOUT THEIR WRITTEN AUTHORITY (ISO 16016:2016)									


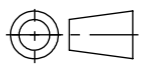


0	GG-C	15-05-2025	-						
REV.	BY	DATE	DESCRIPTION	TOLERANCES UNLESS OTHERWISE STATED:		COLOR:	SIZE:	STATUS:	ART. NO.:
							A2	Released	
PROJECT:									
Exploded views CF100 SLL									
DESCRIPTION:									
Pistonrod guidance & cylinder clamps									
MATERIAL: -									
SCALE: 1:6 SHEET: 2/3									
DRAWN: GG-C DR. DATE: 26-11-2024									
APR. BY: ES APR. DATE: 15-05-2025									
TREATMENT:									
CATEGORY:									
DRAWING NUMBER: 0021755									
DEBURR SHARP EDGES WEIGHT: 344.95 KG									
 Byte 14 NL-7741 MK Coevorden Phone : +31-524-593900 E-mail : info@cargo-floor.com									
PROJECTION:  THIS DRAWING IS THE PROPERTY OF CARGO FLOOR B.V. AND MUST NOT BE COPIED OR REPRODUCED WITHOUT THEIR WRITTEN AUTHORITY (ISO 16016:2016)									

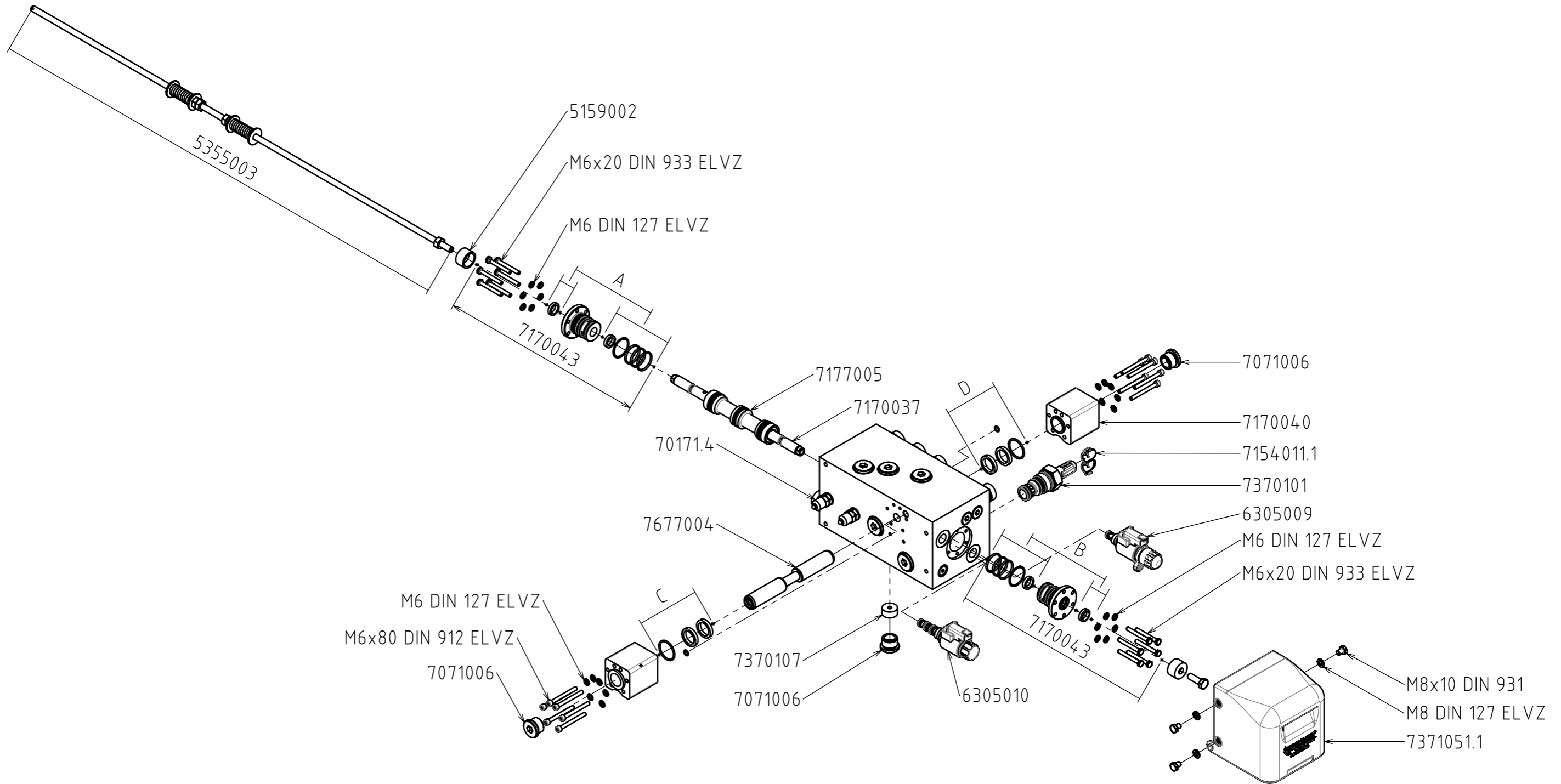


0	GG-C	15-05-2025	-						
REV.	BY	DATE	DESCRIPTION	TOLERANCES UNLESS OTHERWISE STATED:		COLOR:	SIZE:	STATUS:	ART. NO.:
							A2	Released	
PROJECT:									
Exploded views CF100 SLL									
DESCRIPTION:									
Piping									
									
Byte 14 NL-7741 MK Coevorden Phone : +31-524-593900 E-mail : info@cargofloor.com									
PROJECTION: 									
DRAWING NUMBER: 0021755									
DEBURR SHARP EDGES WEIGHT: 344.95 KG									
THIS DRAWING IS THE PROPERTY OF CARGO FLOOR B.V. AND MUST NOT BE COPIED OR REPRODUCED WITHOUT THEIR WRITTEN AUTHORITY (ISO 16016:2016)									



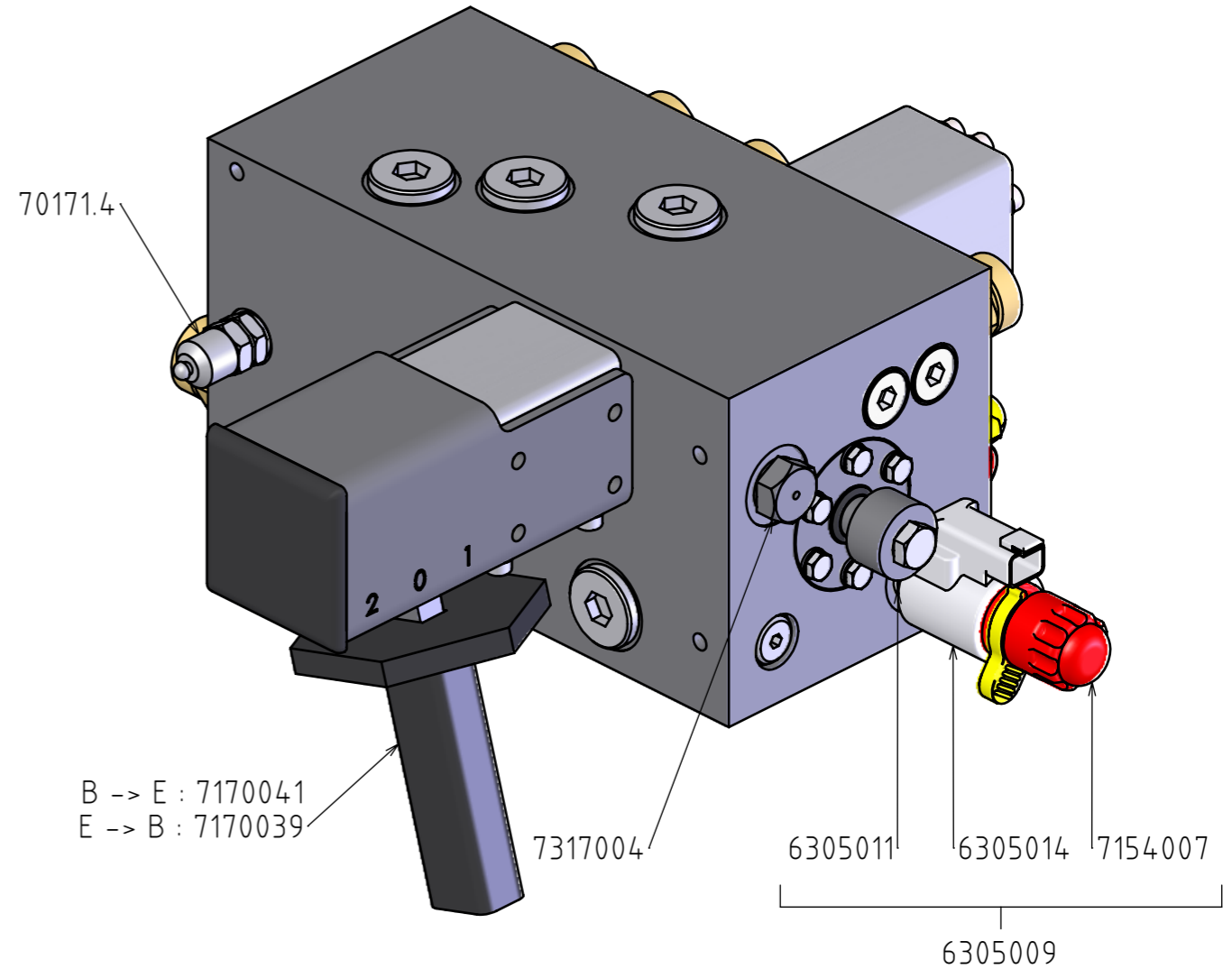
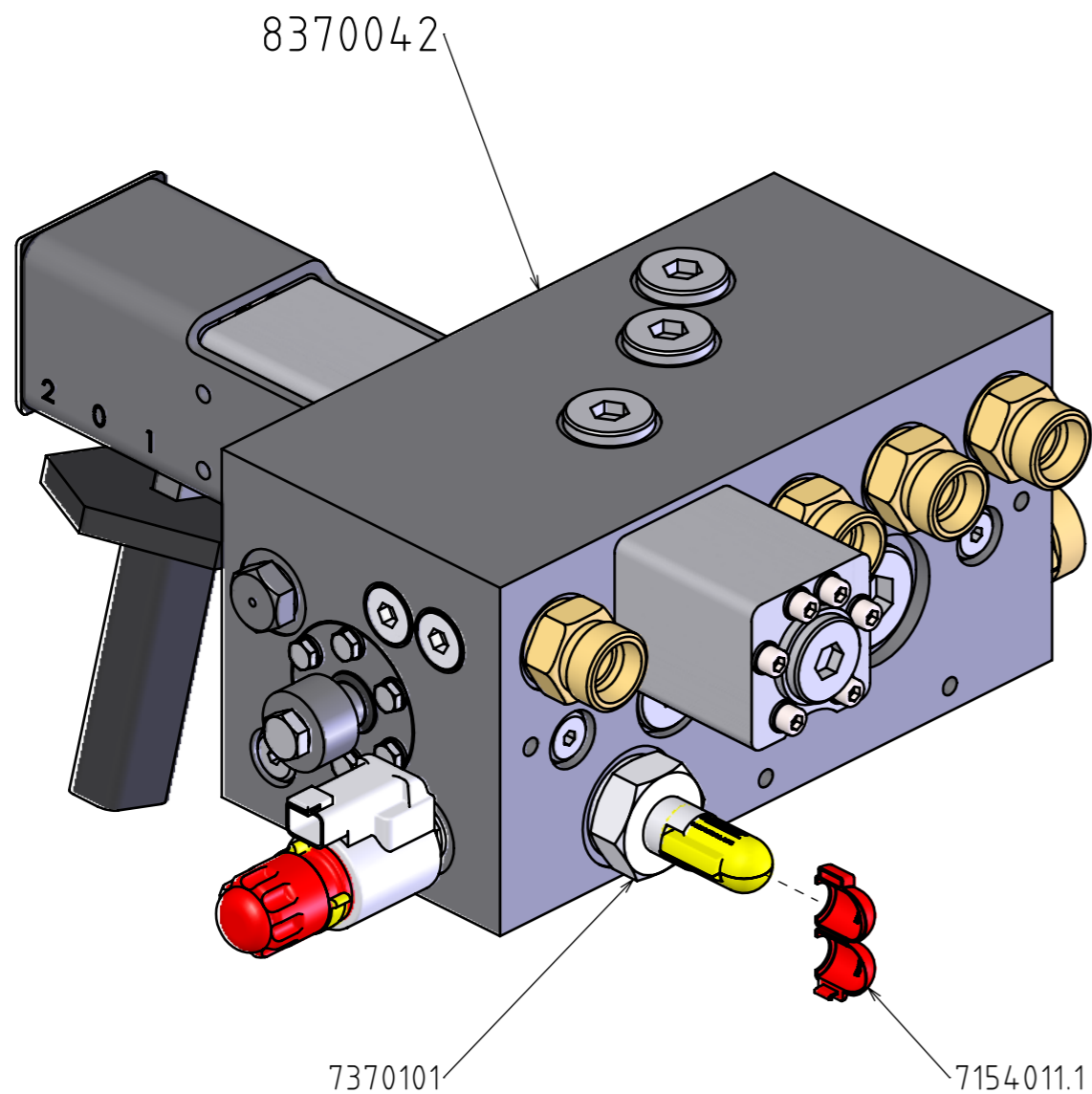
0	GG-C	15-05-2025	-							
REV.	BY	DATE	DESCRIPTION							
TOLERANCES UNLESS OTHERWISE STATED:			COLOR:	SIZE:	STATUS:	ART. NO.:				
ISO 13920 AE			None	A3	Released	DIMENSIONS: MM [INCH]				
PROJECT:						MATERIAL:				
Exploded views CF100 SLL						SCALE: 1:2.5 SHEET: 3/6				
DESCRIPTION:						DRAWN: GG-C DR. DATE: 8-11-2010				
Control valve E-operation						APR. BY: ES APR. DATE: 15-05-2025				
						TREATMENT:				
						CATEGORY:				
						DRAWING NUMBER: 0021786				
 CARGO FLOOR <small>HORIZONTAL LOADING / UNLOADING SYSTEM</small>						PROJECTION: 		DEBURR SHARP EDGES		WEIGHT: KG
THIS DRAWING IS THE PROPERTY OF CARGO FLOOR B.V. AND MUST NOT BE COPIED OR REPRODUCED WITHOUT THEIR WRITTEN AUTHORITY (ISO 16016:2016)										

Byte 14
 NL-7741 MK Coevorden
 Phone : +31-524-593900
 E-mail : info@cargofloor.com

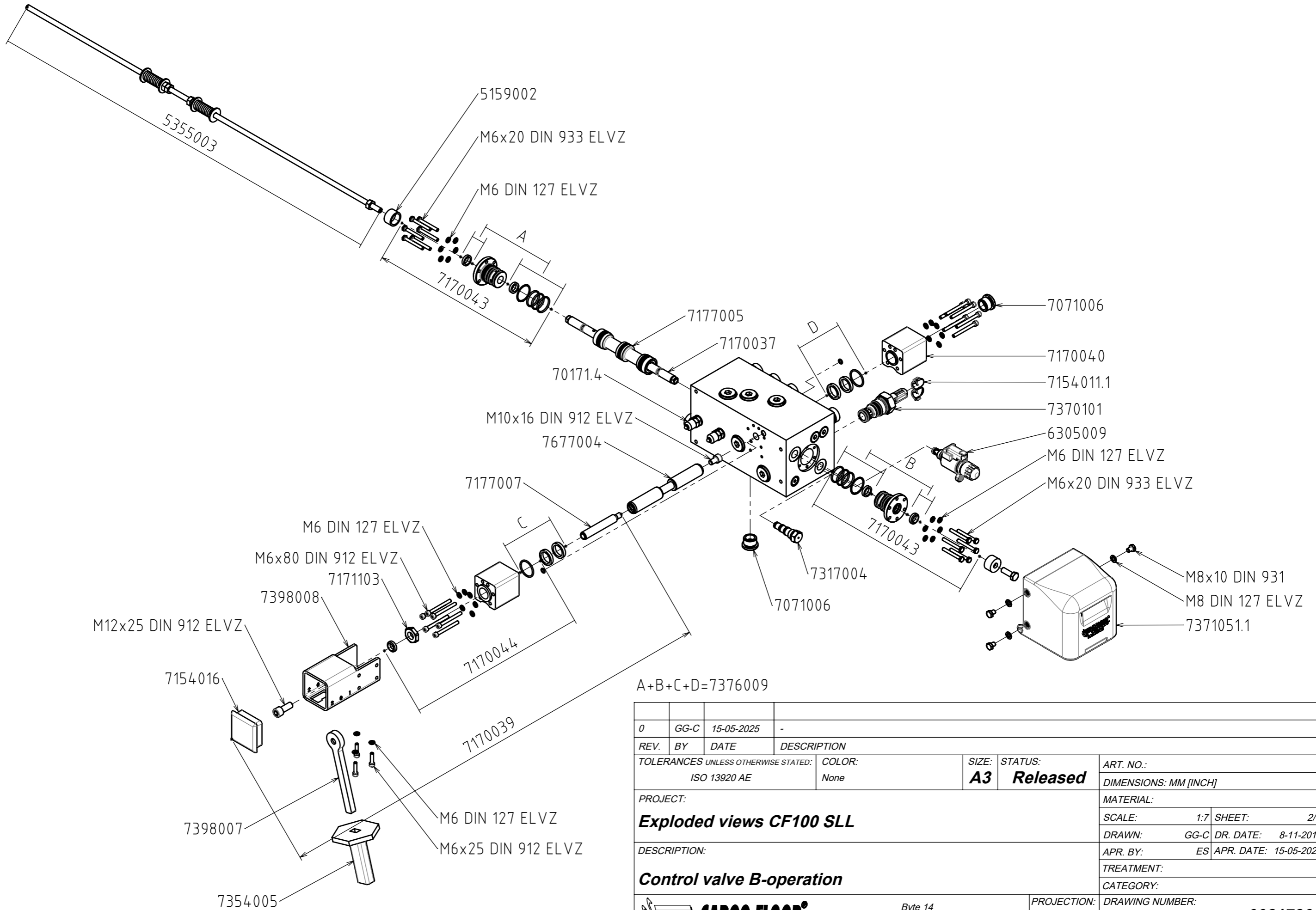


A+B+C+D=7376009

0	GG-C	15-05-2025	-						
REV.	BY	DATE	DESCRIPTION						
TOLERANCES UNLESS OTHERWISE STATED:				COLOR:	SIZE:	STATUS:	ART. NO.:		
ISO 13920 AE				None	A3	Released	DIMENSIONS: MM [INCH]		
PROJECT:							MATERIAL:		
Exploded views CF100 SLL							SCALE: 1:7 SHEET: 4/6		
DESCRIPTION:							DRAWN: GG-C DR. DATE: 8-11-2010		
Control valve E-operation							APR. BY: ES APR. DATE: 15-05-2025		
							TREATMENT:		
							CATEGORY:		
							DRAWING NUMBER:		
							0021786		
							DEBURR SHARP EDGES		WEIGHT: KG



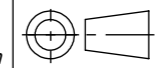
0	GG-C	15-05-2025	-							
REV.	BY	DATE	DESCRIPTION							
TOLERANCES UNLESS OTHERWISE STATED:				COLOR:	SIZE:	STATUS:	ART. NO.:			
ISO 13920 AE				None	A3	Released	DIMENSIONS: MM [INCH]			
PROJECT:							MATERIAL:			
Exploded views CF100 SLL							SCALE: 1:2.5 SHEET: 1/6			
DESCRIPTION:							DRAWN: GG-C DR. DATE: 8-11-2010			
Control valve B-operation							APR. BY: ES APR. DATE: 15-05-2025			
							TREATMENT:			
							CATEGORY:			
							DRAWING NUMBER:			
							0021786			
							PROJECTION:		DEBURR SHARP EDGES	WEIGHT: KG
CARGO FLOOR <small>HORIZONTAL LOADING / UNLOADING SYSTEM</small>							Byte 14 NL-7741 MK Coevorden Phone : +31-524-593900 E-mail : info@cargofloor.com			
THIS DRAWING IS THE PROPERTY OF CARGO FLOOR B.V. AND MUST NOT BE COPIED OR REPRODUCED WITHOUT THEIR WRITTEN AUTHORITY (ISO 16016:2016)										



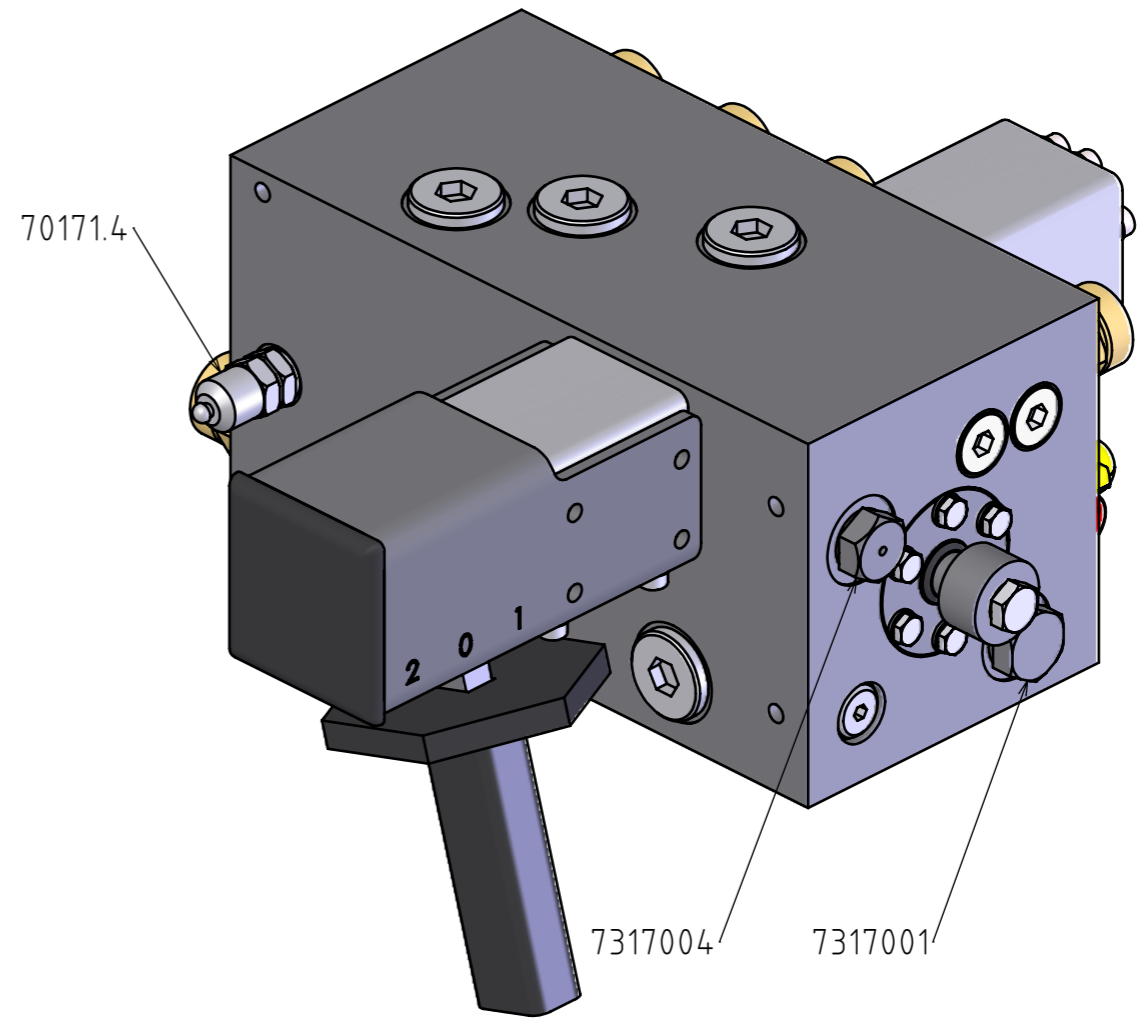
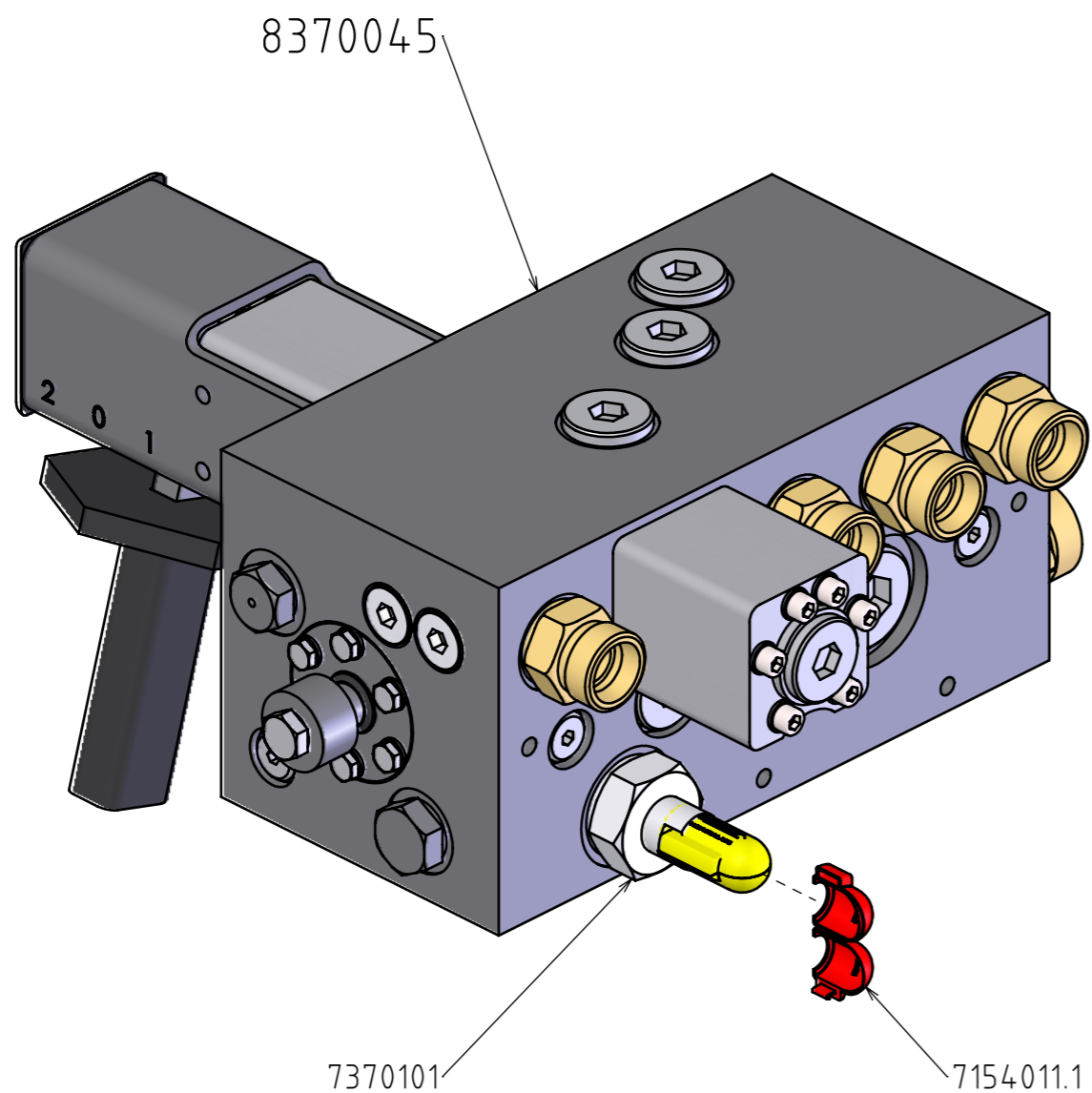
0	GG-C	15-05-2025	-						
REV.	BY	DATE	DESCRIPTION						
TOLERANCES UNLESS OTHERWISE STATED:				COLOR:	SIZE:	STATUS:	ART. NO.:		
ISO 13920 AE				None	A3	Released	DIMENSIONS: MM [INCH]		
PROJECT:							MATERIAL:		
Exploded views CF100 SLL							SCALE: 1:7 SHEET: 2/6		
DESCRIPTION:							DRAWN: GG-C DR. DATE: 8-11-2010		
Control valve B-operation							APR. BY: ES APR. DATE: 15-05-2025		
							TREATMENT:		
							CATEGORY:		
							DRAWING NUMBER:		
							0021786		
							DEBURR SHARP EDGES		WEIGHT: KG




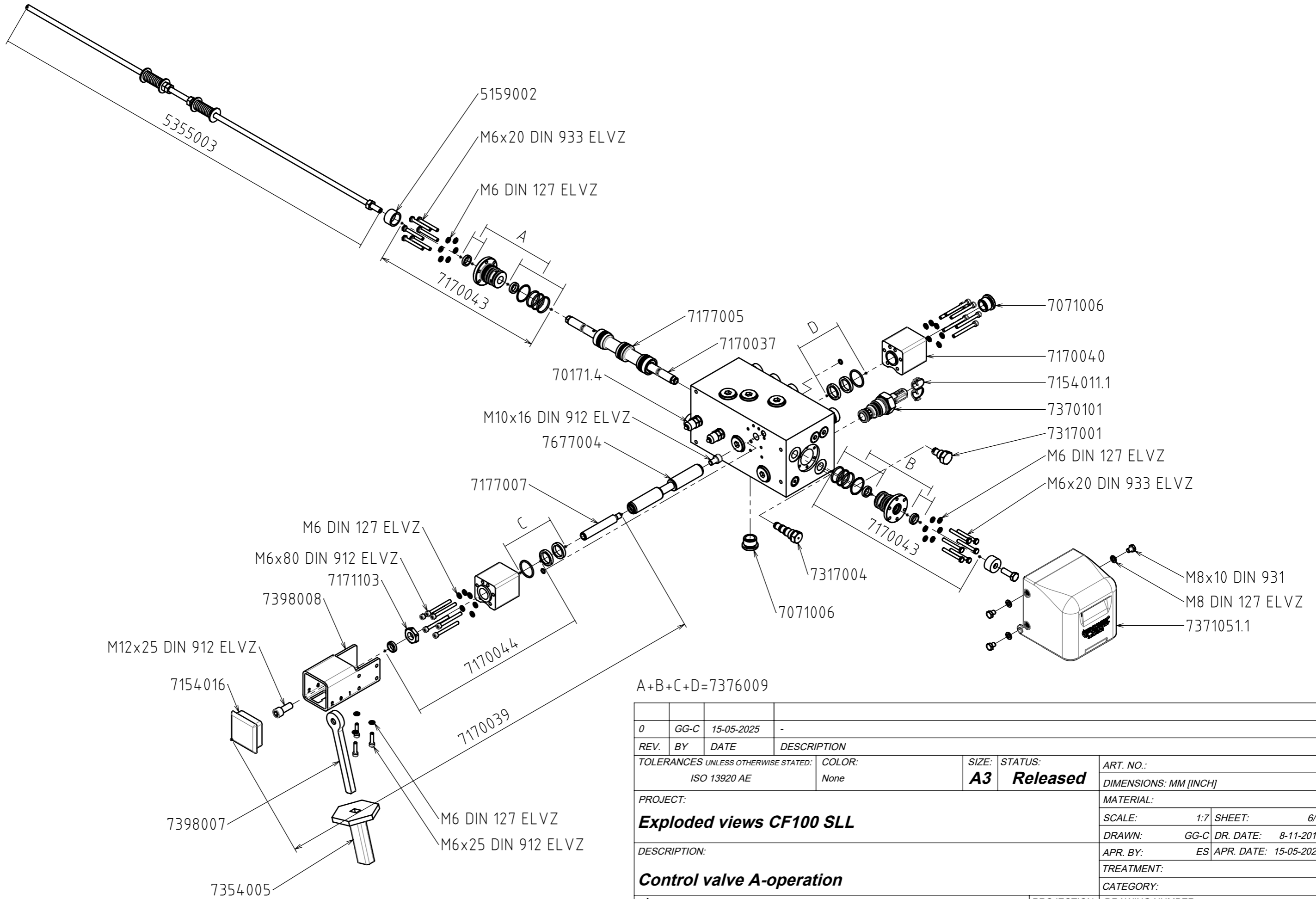
Byte 14
 NL-7741 MK Coevorden
 Phone : +31-524-593900
 E-mail : info@cargofloor.com



PROJECTION:



0	GG-C	15-05-2025	-						
REV.	BY	DATE	DESCRIPTION			SIZE:	STATUS:	ART. NO.:	
TOLERANCES UNLESS OTHERWISE STATED:			COLOR:			A3	Released	DIMENSIONS: MM [INCH]	
ISO 13920 AE			None					MATERIAL:	
PROJECT:								SCALE: 1:2.5 SHEET: 5/6	
Exploded views CF100 SLL								DRAWN: GG-C DR. DATE: 8-11-2010	
DESCRIPTION:								APR. BY: ES APR. DATE: 15-05-2025	
Control valve A-operation								TREATMENT:	
								CATEGORY:	
PROJECTION:								DRAWING NUMBER: 0021786	
 CARGO FLOOR® <small>HORIZONTAL LOADING / UNLOADING SYSTEM</small>						Byte 14 NL-7741 MK Coevorden Phone : +31-524-593900 E-mail : info@cargofloor.com		DEBURR SHARP EDGES WEIGHT: KG	
								THIS DRAWING IS THE PROPERTY OF CARGO FLOOR B.V. AND MUST NOT BE COPIED OR REPRODUCED WITHOUT THEIR WRITTEN AUTHORITY (ISO 16016:2016)	

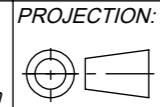


A+B+C+D=7376009

0	GG-C	15-05-2025	-						
REV.	BY	DATE	DESCRIPTION			SIZE:	STATUS:	ART. NO.:	
TOLERANCES UNLESS OTHERWISE STATED:				COLOR:		A3	Released	DIMENSIONS: MM [INCH]	
ISO 13920 AE				None				MATERIAL:	
PROJECT:								SCALE: 1:7 SHEET: 6/6	
Exploded views CF100 SLL								DRAWN: GG-C DR. DATE: 8-11-2010	
DESCRIPTION:								APR. BY: ES APR. DATE: 15-05-2025	
Control valve A-operation								TREATMENT:	
								CATEGORY:	
								DRAWING NUMBER:	
								0021786	
								DEBURR SHARP EDGES WEIGHT: KG	



Byte 14
 NL-7741 MK Coevorden
 Phone : +31-524-593900
 E-mail : info@cargofloor.com



CARGO FLOOR - EXPLODED VIEWS CF100 SLL

Rev: 22-07-205

ART. NO.	BENAMING	DESCRIÇÃO
4103010	Kunststofkam 7/112 H32mm (wit)	Tira de chumaceira de plástico 7/112 altura 32 mm (branco)
5154002	Klembeugel 3-voudig CF100/CF150	Placa de fixação (tripla) CF100/CF150
5154003	Klembeugel t.b.v. zuigerstang ø59 mm CF100/CF150	Placa de fixação para haste de pistão ø59 mm CF100/CF150
5154004	Klembeugel t.b.v. cilinderbodem ø94 mm CF100/CF150	Placa de fixação para base de cilindro ø94 mm CF100/CF150
5159002	Afstandring rond 30 mm (omschakelventiel)	Anel de distância 30 mm (válvula de comutação)
5160006	Cilinderstanggeleidingssset CF100/CF150 (compleet)	Conjunto de blocos de guia para 3 varetas de pistão CF100/CF150 (completo)
5350005	Montagestrip (6x M12/240 mm)	Tira de montagem (6x M12/240 mm)
5355003	Draadstang compleet (1000 mm.)	Haste roscada completa (1000 mm)
6305009	Magneet + stift 24V Cargo Floor (GS02) (inc. rode noodbediening)	Cartucho + solenoide 24 V. Cargo Floor (GS02) (incl. Controlo de emergência vermelho)
6305010	Magneet + stift 24V Cargo Floor (G02)	Cartucho + solenoide 24 V. Cargo Floor (G02)
6305011	Stift Cargo Floor (GS02)	Cartucho Cargo Floor (GS02)
6305012	Stift Cargo Floor (G02)	Cartucho Cargo Floor (G02)
6305014	Magneet Cargo Floor G(+GS)02 24V	Solenoide Cargo Floor G(+GS)02 24V
7004120	Rechte inschroefkoppeling 1" x 20 mm	Acoplamento reto para aparafusar 1" x 20 mm
7004125	Rechte inschroefkoppeling 1" x 25 mm	Acoplamento reto para aparafusar 1" x 25 mm
7071006	Inbus kraagplug 3/4 incl. dichting	tomada fêmea 3/4" com anel em O
7154007	Kunststof noodhandbediening GS02	Controlo manual de emergência em plástico GS02
7155057	Hydraulische leiding nr. 1 (besturingsventiel 02/CF100)	Tubo hidráulico nº 1 (válvula de controlo 02/CF100)
7155058	Hydraulische leiding nr. 2 (besturingsventiel 02/CF100)	Tubo hidráulico nº 2 (válvula de controlo 02/CF100)
7155059	Hydraulische leiding nr. 3 (besturingsventiel 02/CF100)	Tubo hidráulico nº 3 (válvula de controlo 02/CF100)
7155060	Hydraulische leiding nr. 4 (besturingsventiel 02/CF100)	Tubo hidráulico nº 4 (válvula de controlo 02/CF100)
7157005	Common rail A compleet	Rail comum A completo
7170037	Voorstuur omschakelplunjer L.= 306 mm. / D.= 16 mm compleet	Êmbolo de ligação pré-condução C.= 306 mm / P.= 16 mm completo
7170039	Ombouwset besturingsventiel E->B inclusief arretering	Kit modificação para válvula de controlo E->B, incluindo detenção
7170040	Deksel Bedienplunjer besturingsventiel 02 compleet	Cabeça para válvula de controlo de alojamento do êmbolo operativo 02 completo
7170041	Ombouwset besturingsventiel B->E	Kit modificação para válvula de controlo B->E
7170043	Deksel Omschakelplunjer besturingsventiel 02 compleet	Cobertura para válvula de controlo de pistão de ligação 02 completo
7170044	Deksel bedienplunjer besturingsventiel 02 (arretering) compleet	Cabeça para válvula de controlo de alojamento do êmbolo operativo 02 (detenção) completa
7171103	Bronzen bus (B-bediening) incl. afstrijker	Bucha de bronze (operação B)
7177005	Plunjer omschakel L.= 146 mm / D.= 35 mm compleet	Êmbolo de ligação C=146 mm / P= 35 mm completo
7177007	Koppelstang B-bediening ø16 (M10/M12) compleet	Haste de ligação operação B ø16 (M10/M12) completa
7317001	A-plug	Ficha A
7317004	Plug G02 t.b.v. B-bediening	Ficha G02 para controlo B
7354005	Handvat (rubber)	Cabo (borracha)
7370017	Besturingsventiel 02 E-bediend (compleet)	Válvula de controlo 02 operação E (completa)
7370101	Drukstift drukbegrenzingsventiel	Válvula de controlo da pressão do cartucho de pressão
7371032	Hydraulische cilinder CF100 SLL nr. 1 inclusief bevestigingsmateriaal	Cilindro hidráulico CF100 SLL nº 1 com materiais de aperto
7371033	Hydraulische cilinder CF100 SLL nr. 2 inclusief bevestigingsmateriaal	Cilindro hidráulico CF100 SLL nº 2 com materiais de aperto
7371034	Hydraulische cilinder CF100 SLL nr. 3 inclusief bevestigingsmateriaal	Cilindro hidráulico CF100 SLL nº 3 com materiais de aperto
7371051	Beschermkap besturingsventiel 02 (compleet)	Cobertura para válvula de controlo 02 (completa)
7376009	Afdichtingset besturingsventiel 02 compleet	Vedantes para válvula de controlo 02 completos
7398007	Hendel oog (besturingsventiel 02)	Olhal do cabo de controlo (válvula de controlo 02)
7398008	Koker met S-arretering (besturingsventiel 02)	Tubo com detenção S (válvula de controlo 02)
7677004	Bedienplunjer L.= 195 mm. / D.= 25 mm. compleet	Êmbolo operativo C.= 195 mm. / P.= 25 mm. completo
8370042	Besturingsventiel 02 B-bediend (compleet)	Válvula de controlo 02 operação B (completa)
4103016	Kunststofkam kick down 7/112 H32 (blauw)	Pente de rolamento em plástico 7/112 H.32 (azul)
5160002	Cilinderstanggeleidingssset compleet (CF300 / CF500)	Conjunto de blocos de guia para 3 varetas de pistão completas (CF300 / CF500)
7154011	Zegeldop voor DB ventiel	Tampa de vedação da válvula de segurança de pressão
7154016	Inslagdop B-bediening 70x70mm (zwart)	Insira a tampa B-control 70x70 mm (preta)

7370107	Drossel ø6.5 mm (besturingsventiel 02)	Estrangulador ø6,5 mm (válvula de controlo 02)	
8370045	Besturingsventiel 02 A-bediend (compleet)	Válvula de controlo 02 operação A (completa)	
70043/420	Rechte inschroefkoppeling 3/4" x 20 mm.	Acoplamento reto para aparafusar 3/4" x 20 mm	
70171.4	Minimess plug (0-225 Bar)	Ficha Minimess (0-225 Bar)	
7154011.1	Zegeldop voor DB ventiel (rood) – spare part	Tampa de vedação da válvula de segurança de pressão (vermelha) - peça sobressalente	
	<p>Wijzigingen voorbehouden. Geldigheid prijslijst gedurende het aangegeven kalenderjaar, waarbij altijd de actuele prijs in het Cargo Floor B.V. computersysteem geldt, het is raadzaam vooraf de actuele prijs bij Cargo Floor B.V. te checken</p> <p>Prijzen: Bruto per stuk in EURO, excl. B.T.W.</p> <p>Levering: af werk, volgens onze standaard leverings- en betalingsvoorwaarden</p> <p>Betaling: netto, binnen 14 dagen na factuurdatum</p> <p>Wijzigingen voorbehouden.</p>	<p>Todas as alterações reservadas. Esta tabela de preços é válida durante o ano de calendário indicado; o preço válido é sempre o último indicado pelo sistema informático pelo sistema informático da Cargo Floor. Por isso, recomendamos que contacte antecipadamente a Cargo Floor B.V. para verificar o preço.</p> <p>Preços: Bruto cada em euros, sem IVA.</p> <p>Entrega: Ex Works, de acordo com os nossos termos de pagamento e entrega habituais</p> <p>Pagamento: líquido, vencimento a 14 dias a contar da data da fatura</p> <p>Reservados todos os direitos</p>	
www.cargofloor.com - info@cargofloor.com - 0031-524593900			