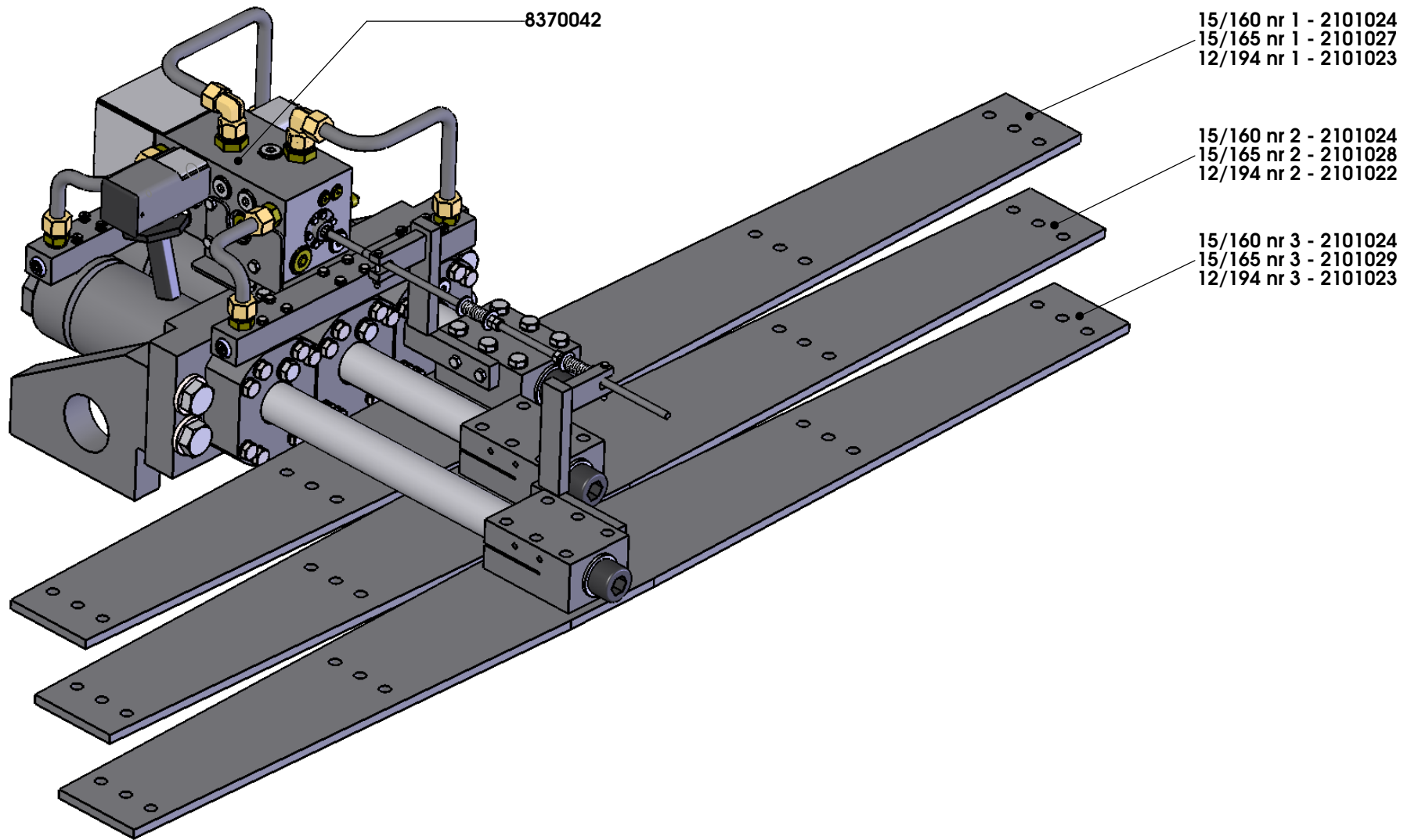


Pagina Page	Inhoudsopgave BENAMING	Table of contents DESCRIPTION
1	Drive unit	Drive unit
2	Cilinders, leidingen, framevoeten en steunen	Cylinder, piping, cross members and brackets
3	Vloerdelen	Floor parts
	Wijzigingen voorbehouden. Geldigheid prijslijst gedurende het aangegeven kalenderjaar, waarbij altijd de actuele prijs in het Cargo Floor B.V. computersysteem geldt, het is raadzaam vooraf de actuele prijs bij Cargo Floor B.V. te checken.	All changes reserved. This pricelist is valid during the given calendar year, valid is always the latest price given by the Cargo Floor computer system, so we advice you to contact us beforehand to check the price.

FOR INFORMATION ONLY !



Cargo Floor B.V.
Byte 14
NL-7741 MK Coevorden
Phone : +31-524-593900
Fax : +31-524-593999
E-mail : info@cargo-floor.com

Project: **EXPLODED VIEWS CF3LP-2**

Subject: **Drive unit**

Date: 19-12-2013

Drawn: SK

Draw. nr.: **EV50002-LP-200**

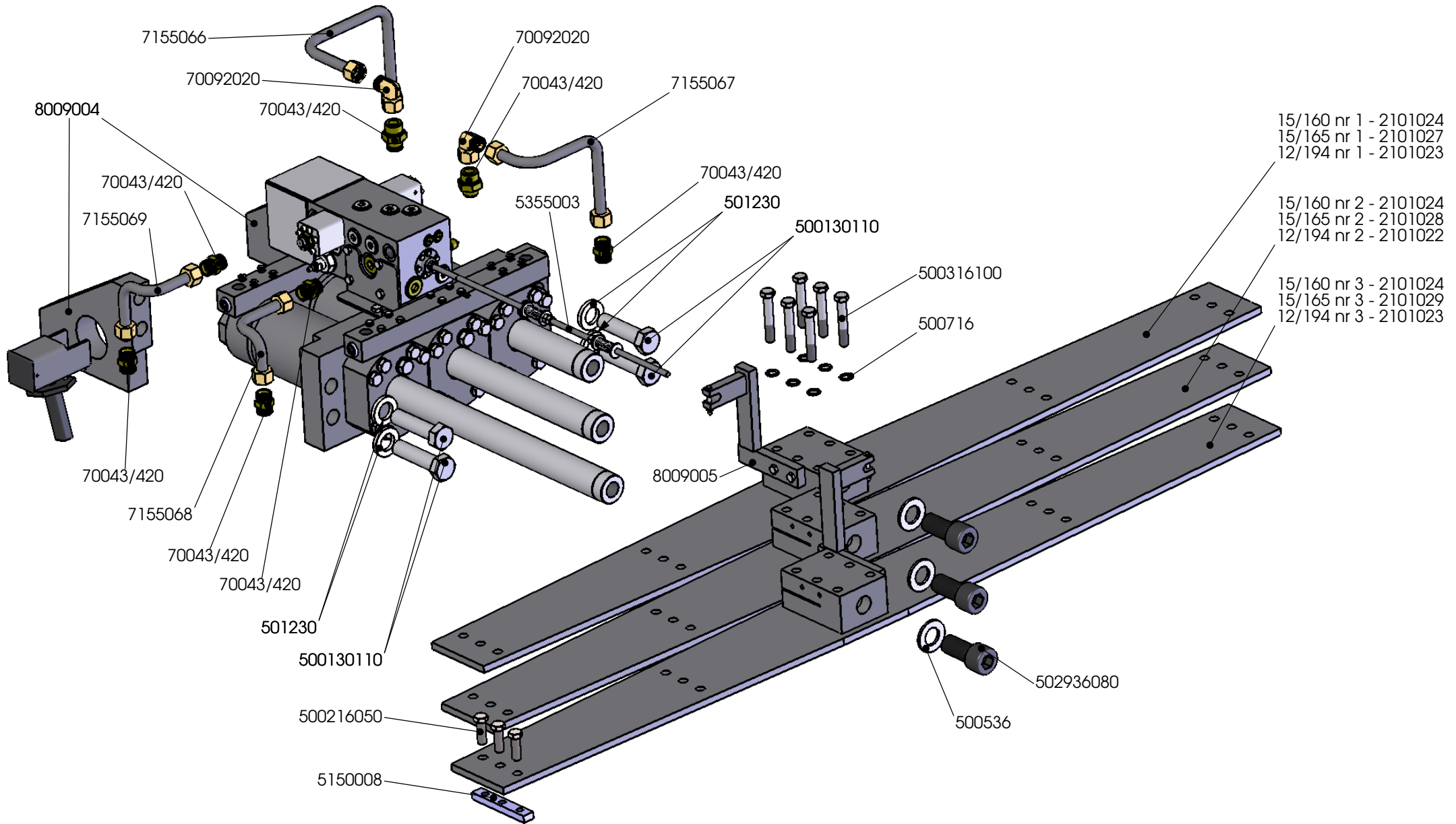
A3

This drawing and the information contained herein is for general presentation purposes only.
This drawing is not intended for use on engineering plans and can be used as "as-is".
This drawing is the property of Cargo Floor B.V. and must not be copied or reproduced without their written authority.

Page 1

Bestelnummer Parts number	Drive unit Pagina 1 BENAMING	Drive unit Page 1 DESCRIPTION	
2101022	Framevoet CF3LP-2 nr. 2 (12/194)	Moving crossmember CF3LP-2 no. 2 (12/194)	
2101023	Framevoet CF3LP-2 nr. 1/3 (12/194)	Moving crossmember CF3LP-2 no. 1/3 (12/194)	
2101024	Framevoet CF3LP-2 nr. 1/2/3 (15/160) verzinkt	Moving crossmember CF3LP-2 no. 1/2/3 (15/160) galvanized	
2101027	Framevoet CF3LP-2 nr. 1 (15/165)	Moving crossmember CF3LP-2 no. 1 (15/165)	
2101028	Framevoet CF3LP-2 nr. 2 (15/165)	Moving crossmember CF3LP-2 no. 2 (15/165)	
2101029	Framevoet CF3LP-2 nr. 3 (15/165)	Moving crossmember CF3LP-2 no. 3 (15/165)	
8370042	Besturingsventiel 02 B-bediend (compleet)	Control valve 02 B-operation (complete)	
	<p>Prijzen : per stuk in EURO, excl. B.T.W.</p> <p>Levering : af werk, volgens onze standaard leverings- en betalingsvoorwaarden</p> <p>Betaling : netto, binnen 14 dagen na faktuurdatum</p> <p>Wijzigingen voorbehouden</p>	<p>Prices : each in EURO, excl. VAT</p> <p>Delivery : Ex Works, according to our standard terms of payment and delivery</p> <p>Payment : nett, due 14 days from date of invoice</p> <p>All changes reserved</p>	

FOR INFORMATION ONLY !



Cargo Floor B.V.
 Byte 14
 NL-7741 MK Coevorden
 Phone : +31-524-593900
 Fax : +31-524-593999
 E-mail : info@cargo-floor.com

Project: **EXPLODED VIEWS CF3LP-2**

Subject: **Cylinder, piping, cross members, braces**

Date: 19-12-2013

Drawn: SK

Drw. nr.: **EV50002-LP-202**

A3

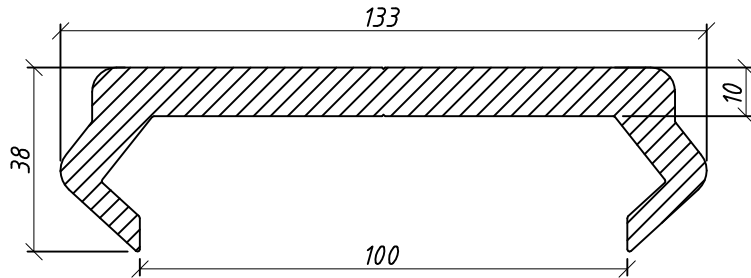
This drawing and the information contained herein is for general presentation purposes only. This drawing is not intended for use on engineering plans and can be used as "as-is". This drawing is the property of Cargo Floor B.V. and must not be copied or reproduced without their written authority.

Bestelnummer Ersatzteilnummer	Cilinders, leidingen, framevoeten en steunen Pagina 2 BENAMING	Cylinder, conduits, moving crossmembers and brackets Page 2 DESCRIPTION	
501230	Veerring M30 elvz	CF3-LP Spring washer M30 elvz Support	
500536	Sluitring M36 elvz (vlak)	CF3-LP Plain washer M36 zinc plated	
500716	Borgring M16 (Nord-lock)	CF3-LP Borgring M16 (Nord-lock)	
2101022	Framevoet CF3LP-2 nr. 2 (12/194)	Moving crossmember CF3LP-2 no. 2 (12/194)	
2101023	Framevoet CF3LP-2 nr. 1/3 (12/194)	Moving crossmember CF3LP-2 no. 1/3 (12/194)	
2101024	Framevoet CF3LP-2 nr. 1/2/3 (15/160) verzinkt	Moving crossmember CF3LP-2 no. 1/2/3 (15/160) galvanized	
2101027	Framevoet CF3LP-2 nr. 1 (15/165)	Moving crossmember CF3LP-2 no. 1 (15/165)	
2101028	Framevoet CF3LP-2 nr. 2 (15/165)	Moving crossmember CF3LP-2 no. 2 (15/165)	
2101029	Framevoet CF3LP-2 nr. 3 (15/165)	Moving crossmember CF3LP-2 no. 3 (15/165)	
5150008	Montagestrip CF3 LP (3 x M16 L=150 mm)	Assembly strip CF3 LP(3 x M16 L=150 mm)	
5355003	Draadstang compleet (1000 mm.)	Threaded rod complete (1000 mm.)	
7155066	Hydraulische leiding nr. 1 (besturingsventiel 02/CF3LP-2)	Hydraulic pipe no. 1 (control valve 02/CF3LP-2)	
7155067	Hydraulische leiding nr. 2 (besturingsventiel 02/CF3LP-2)	Hydraulic pipe no. 2 (control valve 02/CF3LP-2)	
7155068	Hydraulische leiding nr. 3 (besturingsventiel 02/CF3LP-2)	Hydraulic pipe no. 3 (control valve 02/CF3LP-2)	
7155069	Hydraulische leiding nr. 4 (besturingsventiel 02/CF3LP-2)	Hydraulic pipe no. 4 (control valve 02/CF3LP-2)	
8009004	Lassteun CF3LP-2	Welding bracket CF3LP-2	
70092020	Stelbare haakse kopp. 20x20mm	Regulate square coupling20 x 20mm	
500130110	Zeskantbout M30x110	Hexagonal bolt M30x110	
500216050	Zeskanttapbout M16x50 elvz	Hexagon head screw M16 x 50 zinc plated	
500316100	Zeskanttapbout M16x100 zwart (10.9)	Hexagonal machine bolt M16x100 black (10.9)	
502936080	Inbusbout M36x80	Head cap screw M36x80	
70043/420	Rechte inschr.kopp. 3/4" x 20mm	Straight screw-in coupling 3/4" x 20 mm	
Prijzen : per stuk in EURO, excl. B.T.W. Levering : af werk, volgens onze standaard leverings- en betalingsvoorwaarden Betaling : netto, binnen 14 dagen na faktuurdatum Wijzigingen voorbehouden		Prices : each in EURO, excl. VAT Delivery : Ex Works, according to our standard terms of payment and delivery Payment : nett, due 14 days from date of invoice All changes reserved	

FLOOR PROFILE

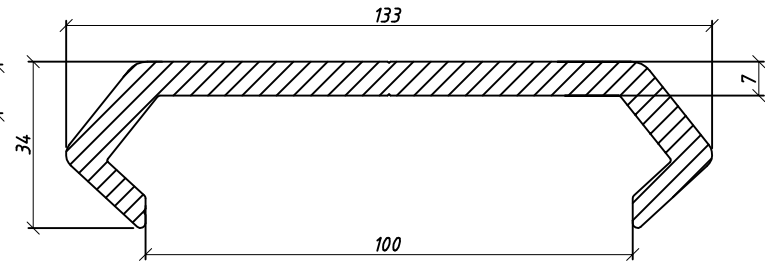
10/133 Leak Proof Deckslat HD (Heavy Duty)

Artikelnr. : 89.3497



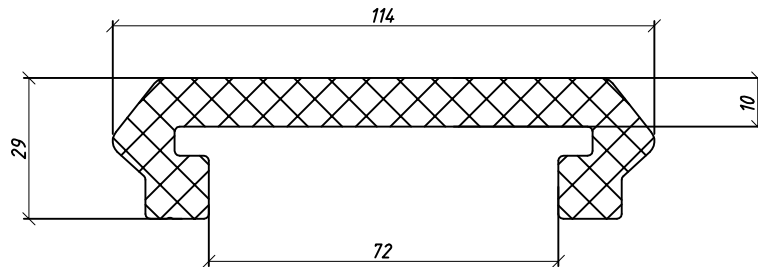
7/133 Leak Proof Deckslat Standaard

Artikelnr. : 891.4460



Plastic glider bearing T-subdeck LP

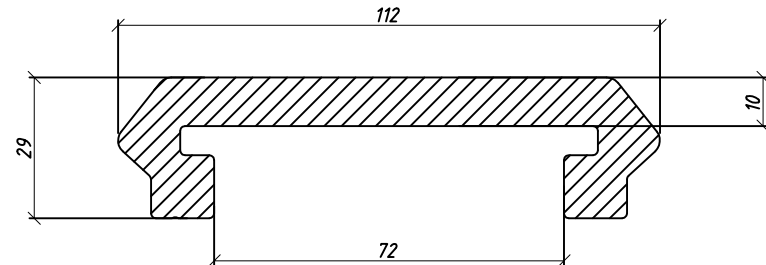
Artikelnr. : 4107022



Aluminium endstop T-subdeck LP floor

Artikelnr. : 5448006

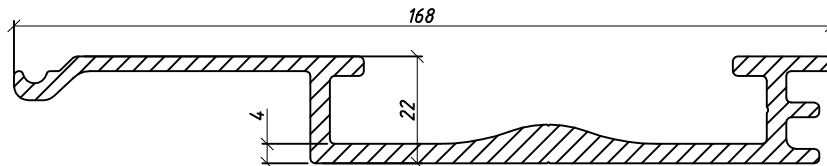
L=350mm



T-SUBDECK PROFILES

Alu 8/160 Leak Proof T subdeck (Slide-in)

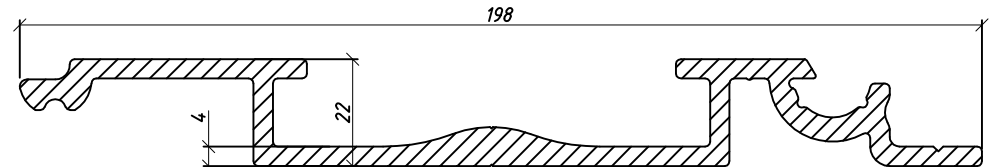
Artikelnr. : 871.5177



(SLIDE-IN)

Alu 8/160 Leak Proof T subdeck (Turn-in)

Artikelnr. : 871.4327



(TURN-IN)

Bestelnummer Parts number	Aluminium profielen Pagina 3 BENAMING	Aluminium profiles Page 3 DESCRIPTION	
89.3497	Alu 10/133mm Leak Proof deckslat HD(heavy duty)	Alu 10/133mm Leak Proof deckslat HD (Heavy Duty)	
4107022	Kunststof geleidingsprofiel massief voor LP/LR serie (Alu 133 LP,T-groef 84 mm.) l=2000 mm. standaard	Plastic bearing profile solid for LP/LR series (Alu 133 LP, T-groove 84 mm.) L=2000 mm. standard	
5448006	Aluminium eindstop T-subdeck LP vloer (350 mm)	Aluminum endstop T-subdeck LP floor (350 mm)	
871.4327	Alu 8/160mm Leak Proof T subdeck (Turn-in)	Alu 8/160mm Leak Proof T subdeck (Turn-in)	
871.5177	Alu 8/160mm Leak Proof T subdeck (Slide-in)	Alu 8/160mm Leak Proof T subdeck (Slide-in)	
891.4460	Alu 7/133mm Leak Proof deckslat standaard	Alu 7/133mm Leak Proof deckslat standard	
	<p>Prijzen : per stuk in EURO, excl. B.T.W.</p> <p>Levering : af werk, volgens onze standaard leverings- en betalingsvoorwaarden</p> <p>Betaling : netto, binnen 14 dagen na faktuurdatum</p> <p>Wijzigingen voorbehouden</p>	<p>Prices : each in EURO, excl. VAT</p> <p>Delivery : Ex Works, according to our standard terms of payment and delivery</p> <p>Payment : nett, due 14 days from date of invoice</p> <p>All changes reserved</p>	