

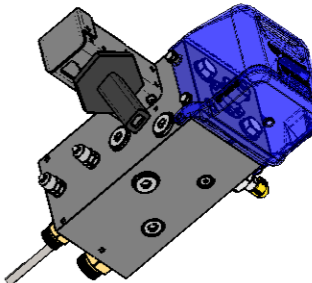
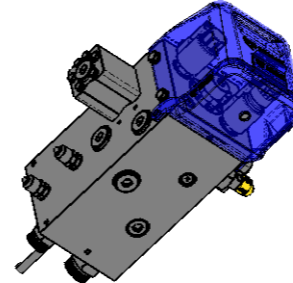
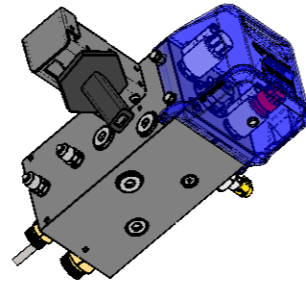
PAGINA PAGE	INHOUDSOPGAVE BENAMING	TABLE OF CONTENTS DESCRIPTION
1	SAMENSTELLING	ASSEMBLY
2	ZUIGERSTANGGELEIDING & CILINDERKLEMMEUGELS	PISTON ROD GUIDANCE & CYLINDER CLAMPING PLATES
3	LEIDINGEN EN FILTERS	PIPING AND FILTERS
4	CILINDER	CYLINDER
5	BESTURINGSVENTIEL "B" BEDIENING	CONTROL VALVE B-OPERATION
6	BESTURINGSVENTIEL "B" BEDIENING	CONTROL VALVE B-OPERATION
7	BESTURINGSVENTIEL "E" BEDIENING	CONTROL VALVE E-OPERATION
8	BESTURINGSVENTIEL "E" BEDIENING	CONTROL VALVE E-OPERATION
9	BESTURINGSVENTIEL "A" BEDIENING	CONTROL VALVE A-OPERATION
10	BESTURINGSVENTIEL "A" BEDIENING	CONTROL VALVE A-OPERATION

FOR INFORMATION ONLY !

B-valve: Page 5,6

E-valve: Page 7,8

A-valve: Page 9,10



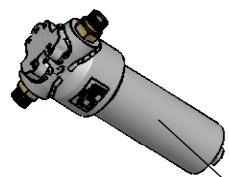
Montagestrip
5350005

7371032

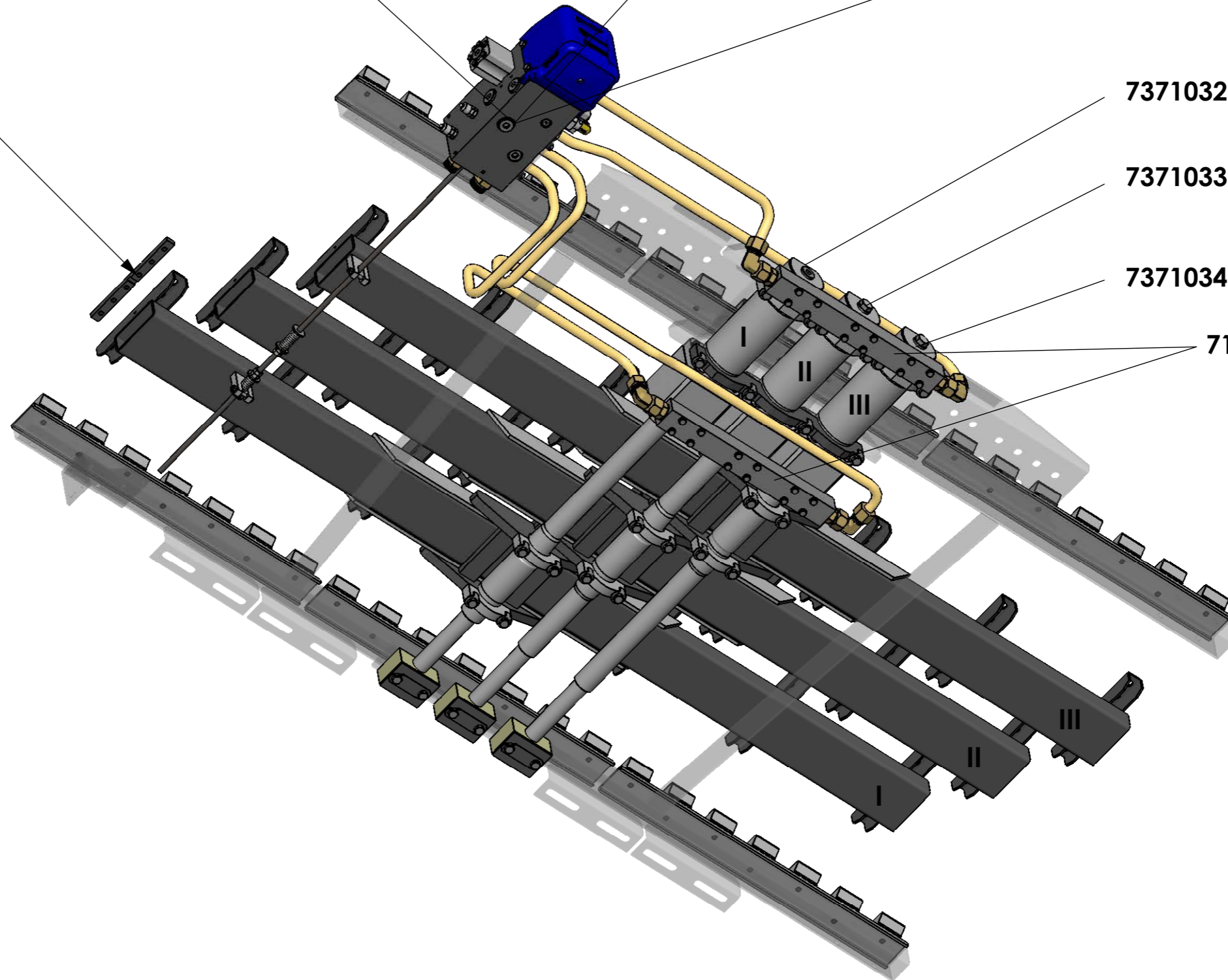
7371033

7371034

7157005



7372006



Cargo Floor B.V.
Byte 14
NL-7741 MK Coevorden
Phone : +31-524-593900
E-mail : info@cargo-floor.com

Project:
EXPLODED VIEWS CF100 SLL
Subject:
Assembly drawing

Date: 28-02-2019

Drawn: SK

Drw. nr.:
EV50000-CF-230

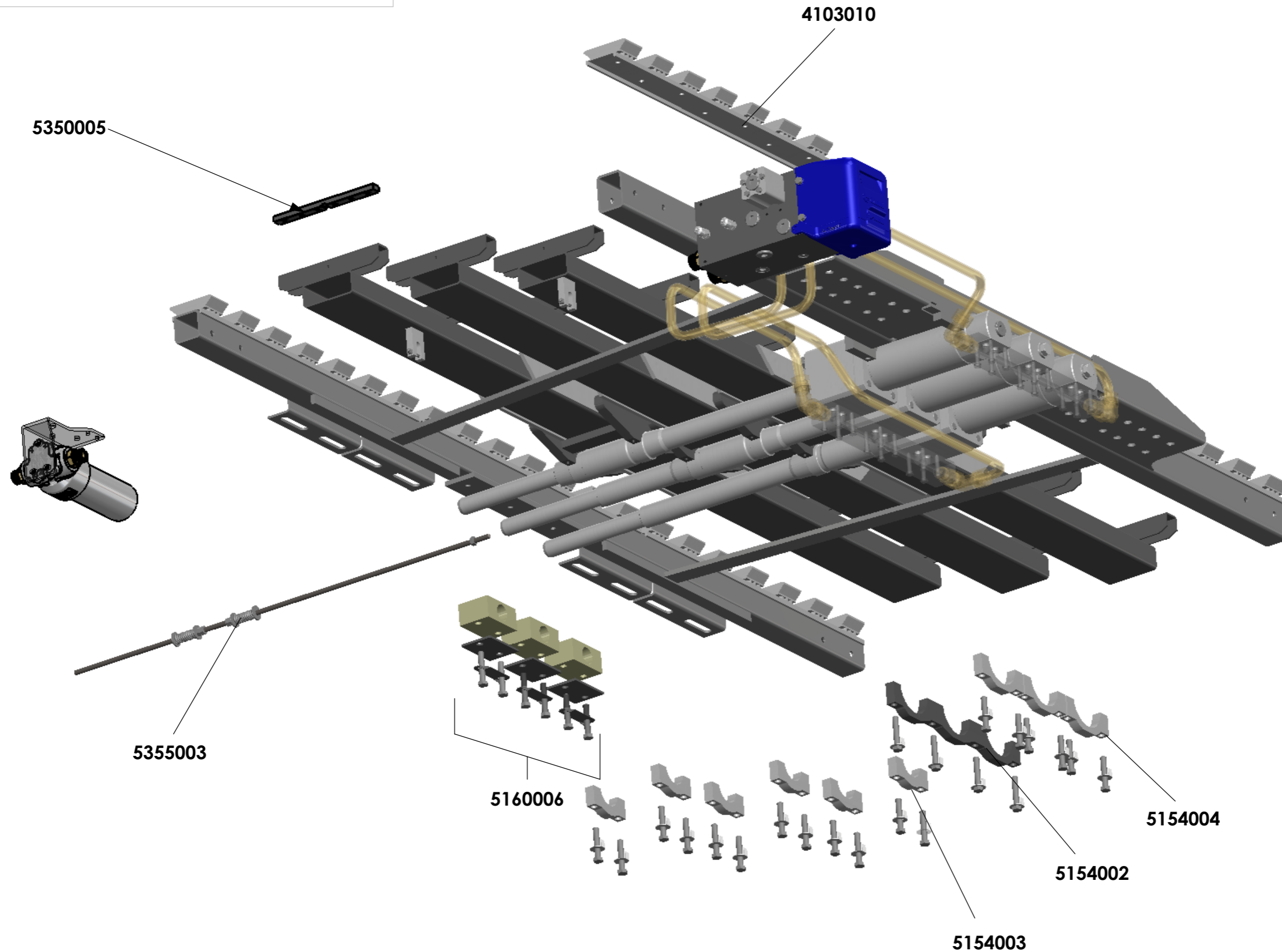
A3

This drawing and the information contained herein is for general presentation purposes only.
This drawing is not intended for use on engineering plans and can be used as "as-is".
This drawing is the property of Cargo Floor B.V. and must not be copied or reproduced without their written authority.

Page 1

ART. NR. ART. NO.	SAMENSTELLING PAGINA 1 BENAMING	ASSEMBLY PAGE 1 DESCRIPTION	
5350005	Montagestrip (6x M12/240 mm.)	Assembly strip (6x M12/240 mm.)	
7157005	Common rail A compleet	Common rail A complete	
7371032	Hydraulische cilinder CF100 SLL nr. 1 inclusief bevestigingsmateriaal	Hydraulic cylinder CF100 SLL no. 1 with fasteningmaterials	
7371033	Hydraulische cilinder CF100 SLL nr. 2 inclusief bevestigingsmateriaal	Hydraulic cylinder CF100 SLL no. 2 with fasteningmaterials	
7371034	Hydraulische cilinder CF100 SLL nr. 3 inclusief bevestigingsmateriaal	Hydraulic cylinder CF100 SLL no. 3 with fasteningmaterials	
7372006	Filterset Cargo Floor (compleet)	Filterset Cargo Floor complete	

FOR INFORMATION ONLY !



Cargo Floor B.V.
Byte 14
NL-7741 MK Coevorden
Phone : +31-524-593900
E-mail : info@cargo-floor.com

Project:
EXPLODED VIEWS CF100 SLL

Subject:
Pistonrod guidance & cylinder clamps

Date: 3-3-2014

Drawn: SK

Drw. nr.:
EV50000-CF-232

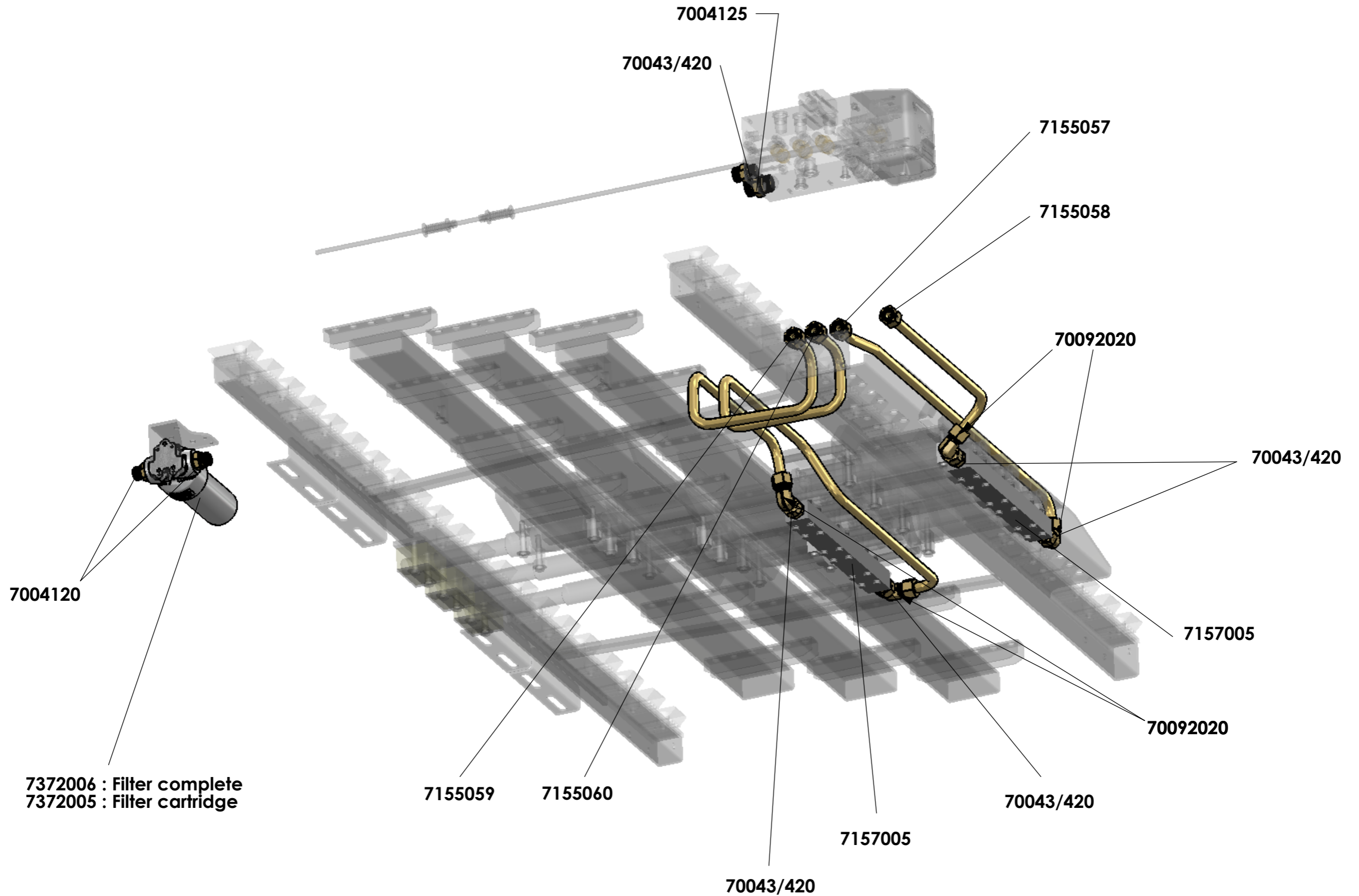
A3

This drawing and the information contained herein is for general presentation purposes only.
This drawing is not intended for use on engineering plans and can be used as "as-is".
This drawing is the property of Cargo Floor B.V. and must not be copied or reproduced without their written authority.

Page 2

ART. NR. ART. NO.	ZUIGERSTANGGELEIDING & CILINDERKLEMBEUGELS PAGINA 2 BENAMING	PISTON ROD GUIDANCE & CYLINDER CLAMPING PLATES PAGE 1 DESCRIPTION	
4103010	Kunststofkam 7/112 H32mm (wit)	Plastic bearing strip 7/112 [4.41"] height 32 mm. [1.26"] (white)	
5154002	Klembeugel 3-voudig CF100/CF150	Clamping plate (triple) CF100/CF150	
5154003	Klembeugel t.b.v. zuigerstang ø59 mm. CF100/CF150	Clamping plate for piston rod ø59 mm. CF100/CF150	
5154004	Klembeugel t.b.v. cilinderbodem ø94 mm. CF100/CF150	Clamping plate for cylinder bottom ø94 mm. CF100/CF150	
5160006	Cilinderstanggeleidingsset CF100/CF150 (compleet)	Set Guide blocks for 3 piston rods CF100/CF150 (complete)	
5350005	Montagestrip (6x M12/240 mm.)	Assembly strip (6x M12/240 mm.)	
5355003	Draadstang compleet (1000 mm.)	Threaded rod complete (1000 mm. [39.4"])	

FOR INFORMATION ONLY !



Cargo Floor B.V.
Byte 14
NL-7741 MK Coevorden
Phone : +31-524-593900
E-mail : info@cargoofloor.com

Project:
EXPLODED VIEWS CF100 SLL
Subject:
CF100 SLL piping & filter

Date: 3-3-2014

Drawn: SK

Drw. nr.:
EV50000-CF-231

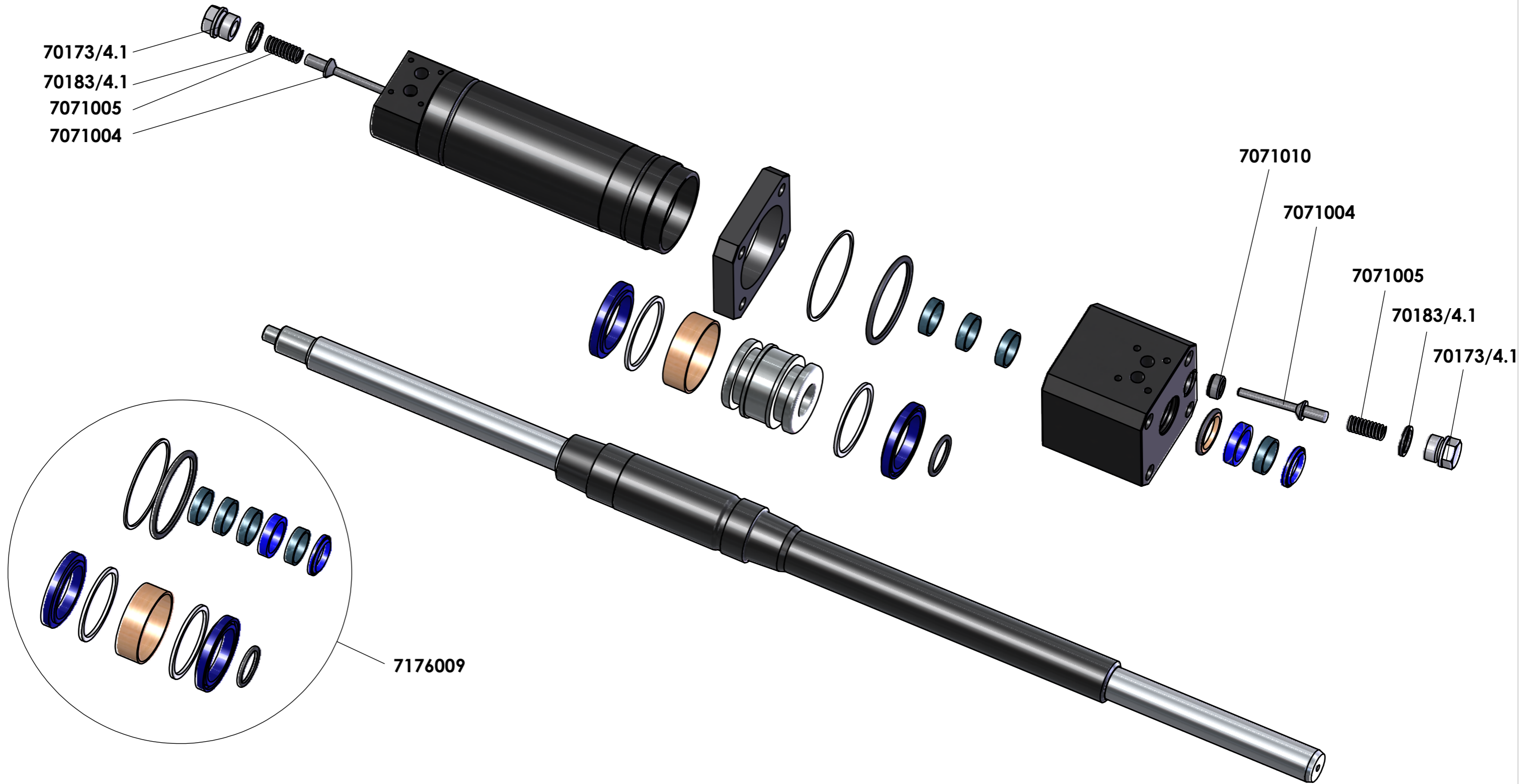
A3

This drawing and the information contained herein is for general presentation purposes only.
This drawing is not intended for use on engineering plans and can be used as "as-is".
This drawing is the property of Cargo Floor B.V. and must not be copied or reproduced without their written authority.

Page 3

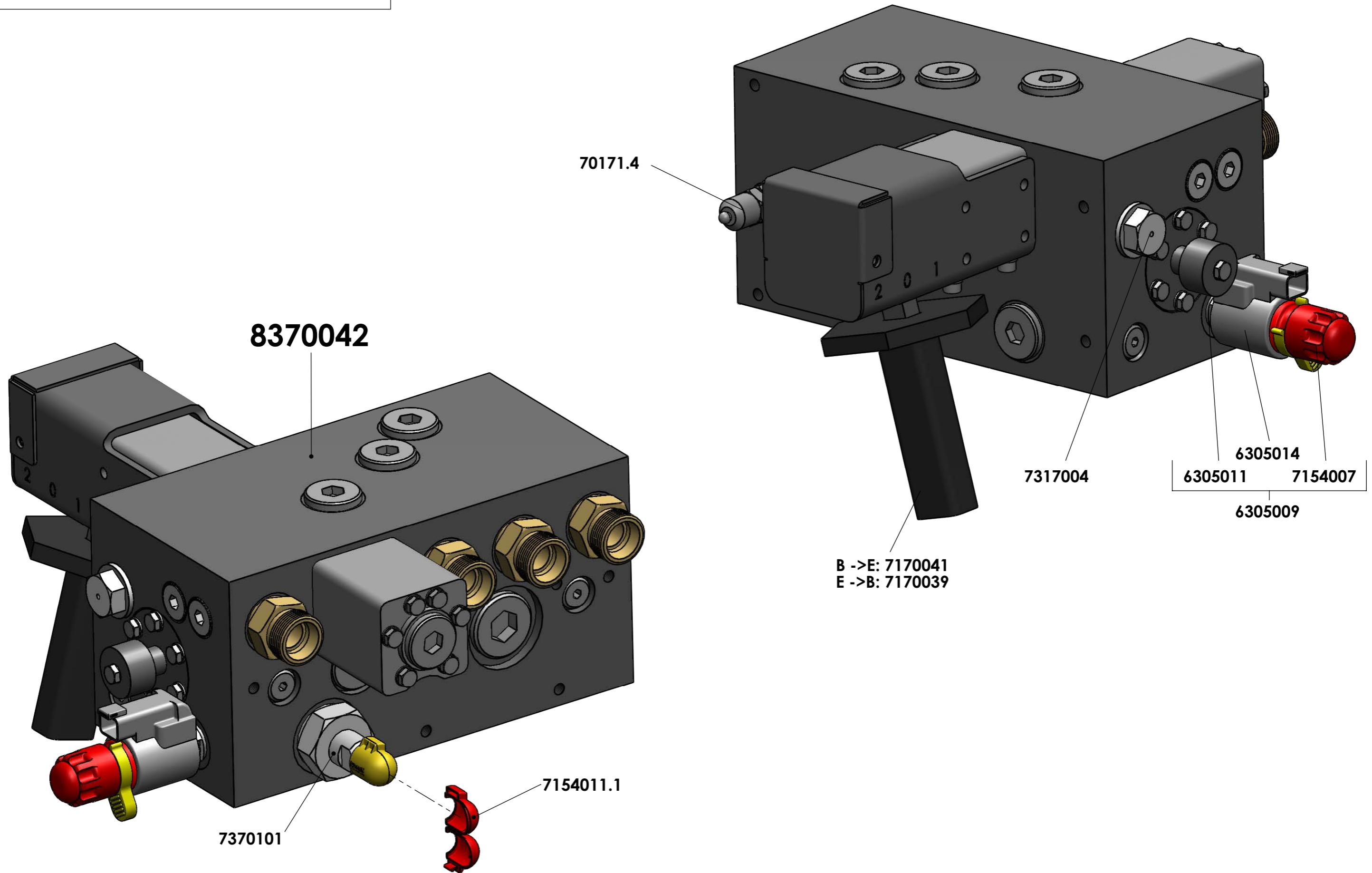
ART. NR. ART. NO.	LEIDINGEN EN FILTERS PAGINA 3 BENAMING	PIPING AND FILTERS PAGE 1 DESCRIPTION	
7004120	Rechte inschroefkoppeling 1" x 20 mm	Straigth screw-in coupling 1" x 20 mm	
7004125	Rechte inschroefkoppeling 1" x 25 mm	Straight screw-in coupling 1" x 25 mm	
7155057	Hydraulische leiding nr. 1 (besturingsventiel 02/CF100)	Hydraulic pipe no. 1 (control valve 02/CF100)	
7155058	Hydraulische leiding nr. 2 (besturingsventiel 02/CF100)	Hydraulic pipe no. 2 (control valve 02/CF100)	
7155059	Hydraulische leiding nr. 3 (besturingsventiel 02/CF100)	Hydraulic pipe no. 3 (control valve 02/CF100)	
7155060	Hydraulische leiding nr. 4 (besturingsventiel 02/CF100)	Hydraulic pipe no. 4 (control valve 02/CF100)	
7157005	Common rail A compleet	Common rail A complete	
7372005	CF Filterelement (04/2005 - ...), inclusief pakkingset	CF Filter element (04/2005 - ...)	
7372006	Filterset Cargo Floor (compleet)	Filterset Cargo Floor complete	
70092020	Stelbare haakse koppeling 20 x 20 mm.	Regulate square coupling 20 x 20 mm.	
70043/420	Rechte inschroefkoppeling 3/4" x 20 mm.	Straight screw-in coupling 3/4" x 20 mm.	

FOR INFORMATION ONLY !



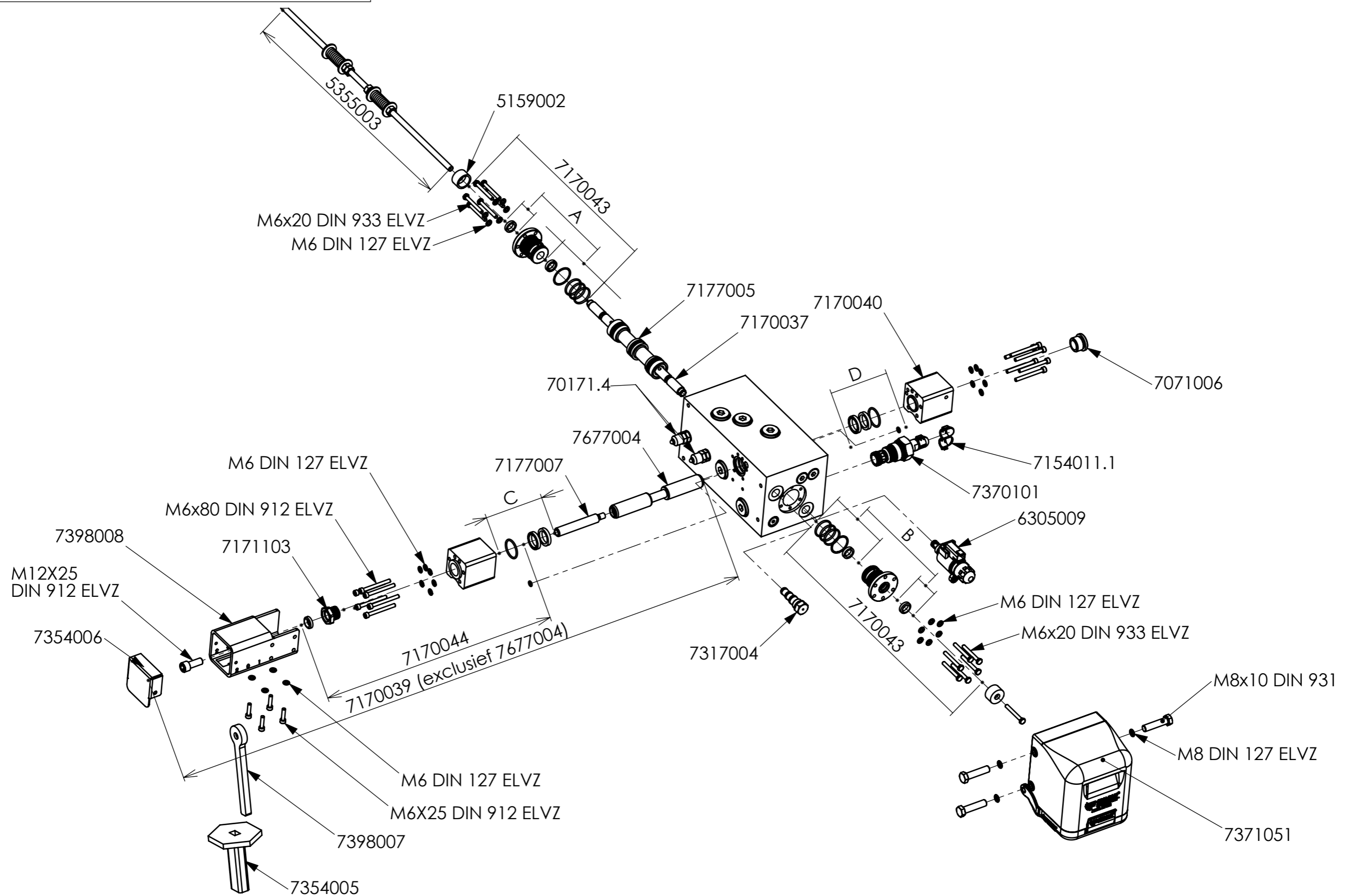
ART. NR. ART. NO.	CILINDER PAGINA 4 BENAMING	CYLINDER PAGE 1 DESCRIPTION	
7071004	Klep cilinder	Valve for cylinder	
7071005	Veer terugslagklep	Spring for cylinder-valve	
7176009	Afdichtingset cilinder (CF100)	Seals for cylinder (CF100)	
70173/4.1	Kraagplug 3/4 (hol)	Plug 3/4 for valve spring (hollow)	
70183/4.1	Bonded seal 3/4" (afgedraaid)	Bonded seal 3/4 (machined)	

FOR INFORMATION ONLY !



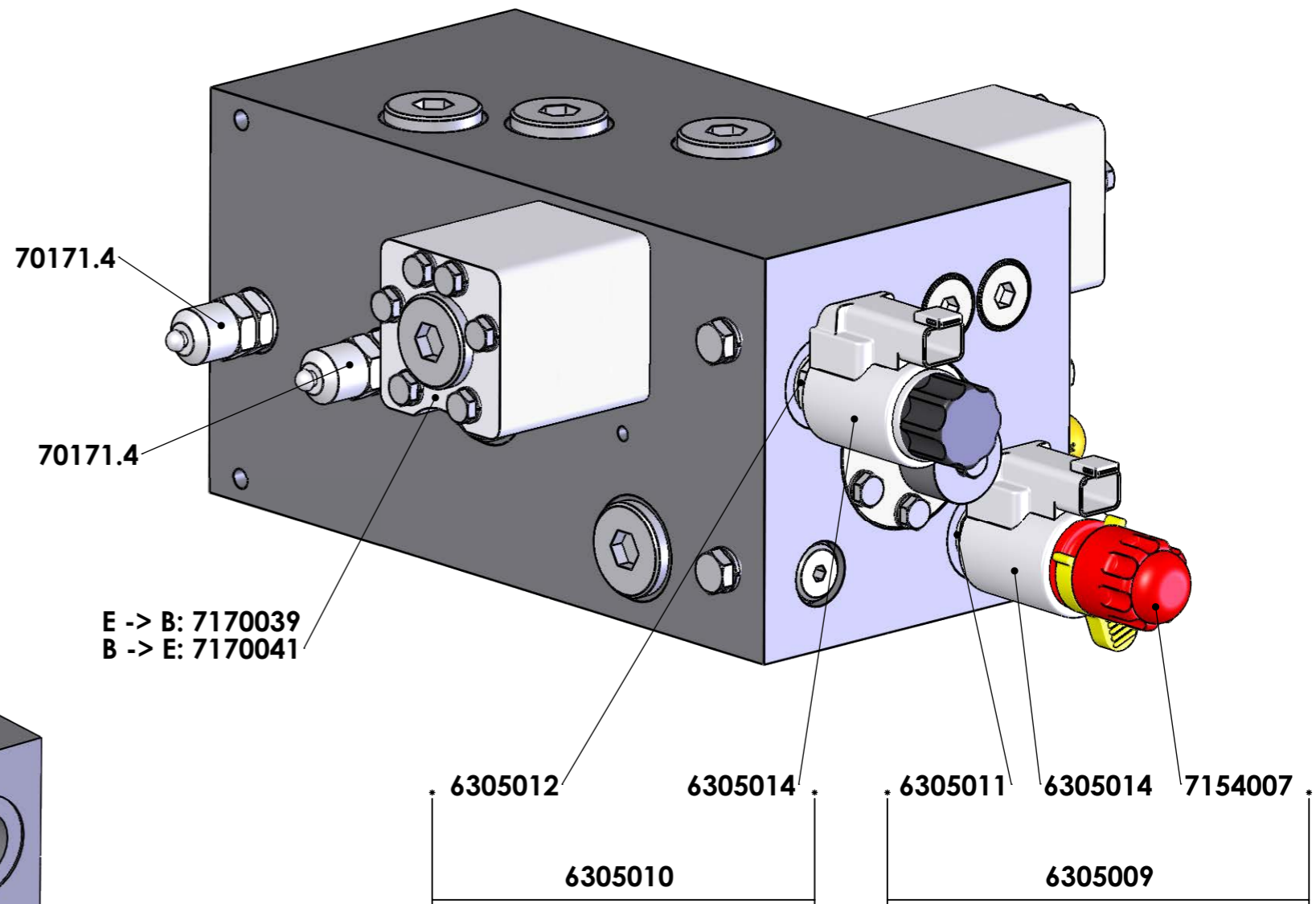
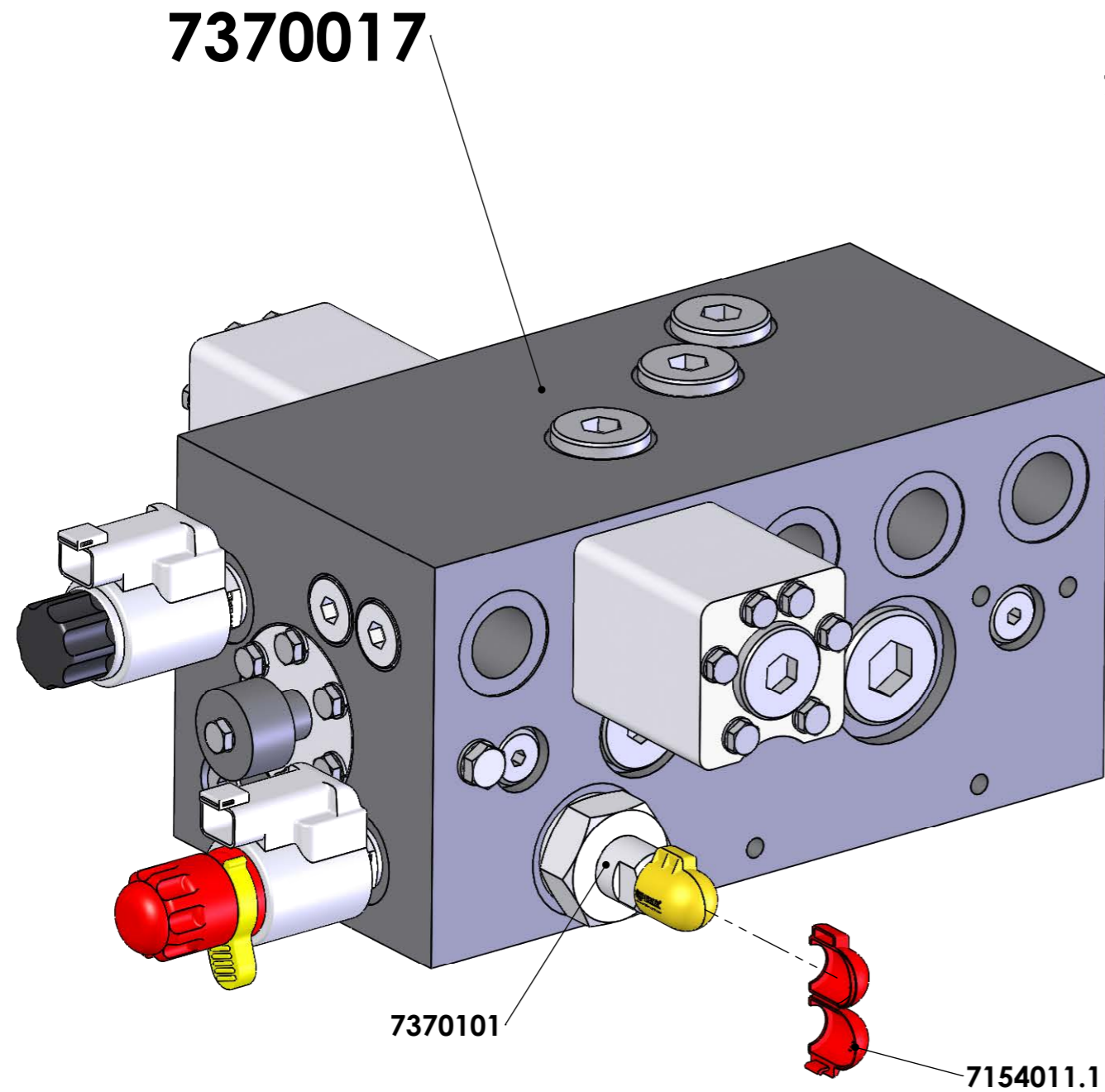
ART. NR. ART. NO.	BESTURINGSVENTIEL "B" BEDIENING PAGINA 5 BENAMING	CONTROL VALVE B-OPERATION PAGE 1 DESCRIPTION	
6305009	Magneet + stift 24V Cargo Floor (GS02) (inc. rode noodbediening)	Cartridge + solenoid 24 V. Cargo Floor (GS02) (incl. red emergency control)	
6305011	Stift Cargo Floor (GS02) (inc. rode noodbediening)	Cartridge Cargo Floor (GS02) (incl. red emergency control)	
6305014	Magneet Cargo Floor G(+GS)02 24V	Solenoid Cargo Floor G(+GS)02 24V	
7154007	Kunststof noodhandbediening GS02	Plastic emergency manual control GS02	
7154011.1	Zegeldop voor DB ventiel (rood) – spare part	Seal cap for pressure safety valve (red) - spare part	
7170039	Ombouwset besturingsventiel E->B inclusief arretering	Modification kit control valve E->B including detent	
7170041	Ombouwset besturingsventiel B->E	Modification kit control valve B->E	
7317004	Plug G02 t.b.v. B-bediening	Plug G02 for B-control	
7370101	Drukstift drukbegrenzingsventiel	Pressure cartridge pressure control valve	
8370042	Besturingsventiel 02 B-bediend (compleet)	Control valve 02 B-operation (complete)	
70171.4	Minimess plug (0-225 Bar)	Minimess plug (0-225 Bar)	

FOR INFORMATION ONLY!



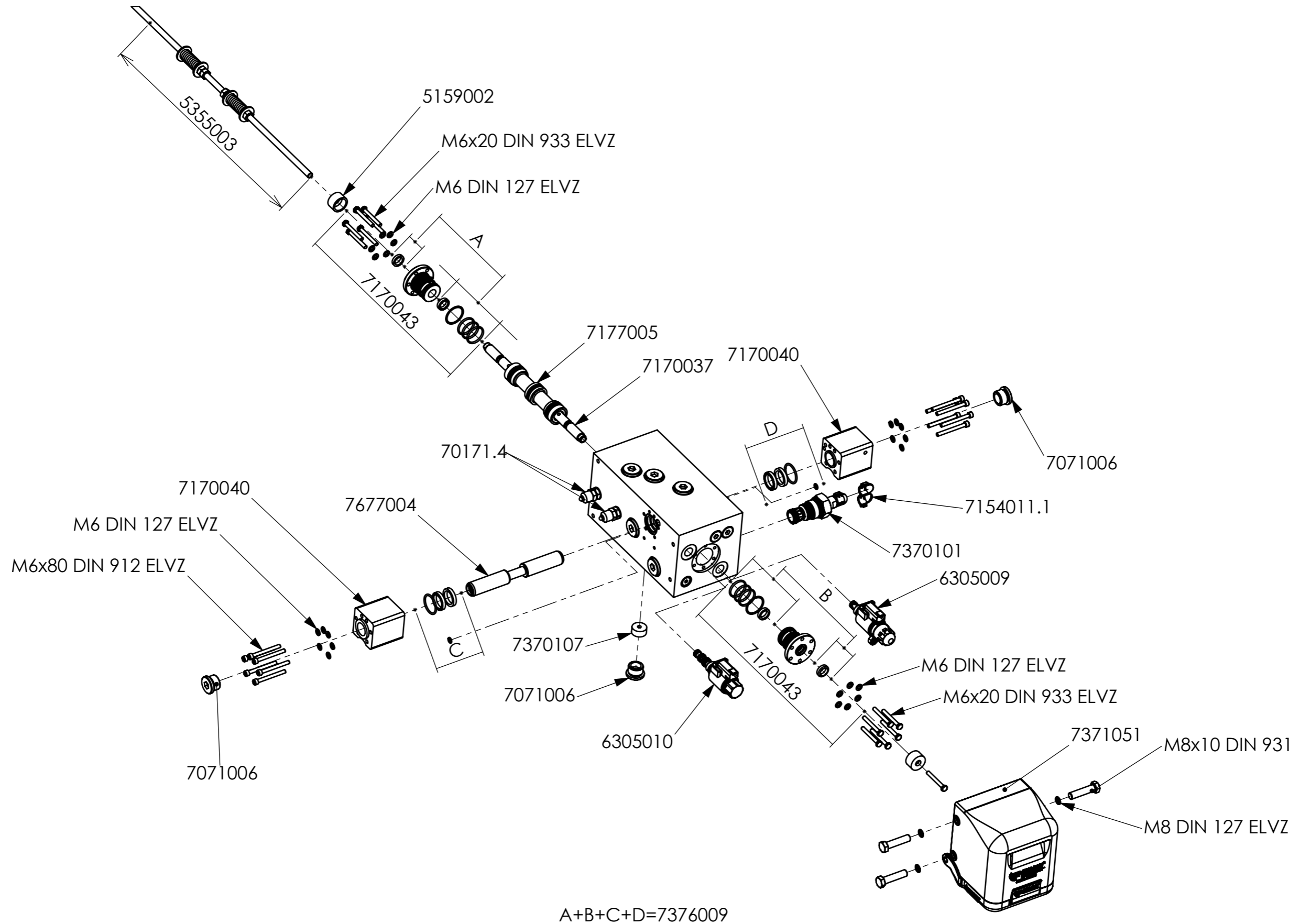
ART. NR. ART. NO.	BESTURINGSVENTIEL "B" BEDIENING PAGINA 6 BENAMING	CONTROL VALVE B-OPERATION PAGE 1 DESCRIPTION	
5159002	Afstandsring rond 30 (omschakelventiel)	Distance ring round 30 (switching valve)	
5355003	Draadstang compleet (1000 mm.)	Threaded rod complete (1000 mm. [39.4"])	
6305009	Magneet + stift 24V Cargo Floor (GS02) (inc. rode noodbediening)	Cartridge + solenoid 24 V. Cargo Floor (GS02) (incl. red emergency control)	
7071006	Inbus kraagplug 3/4 incl. dichting	socket plug 3/4" with O-ring	
7154011.1	Zegeldop voor DB ventiel (rood) – spare part	Seal cap for pressure safety valve (red) - spare part	
7170037	Voorstuur omschakelplunjer L.= 306 mm. / D.= 16 mm compleet	Pre-steering switching plunger L.= 306 mm. [12"] / D.= 16 mm. [0.6"] complete	
7170039	Ombouwset besturingsventiel E->B inclusief arretering	Modification kit control valve E->B including detent	
7170040	Deksel Bedienplunjer besturingsventiel 02 compleet	Head for operation plunger housing control valve 02 complete	
7170043	Deksel Omschakelplunjer besturingsventiel 02 compleet	Cover for switching piston control valve 02 complete	
7170044	Deksel bedienplunjer besturingsventiel 02 (arretering) compleet	Head for operation plunger housing control valve 02 (detent) complete	
7171103	Bronzen bus (B-bediening) incl. afstrijker	Bronze bush (B-operation)	
7177005	Plunjer omschakel L.= 146 mm. / D.= 35 mm. compleet	Switching plunger L.=146 mm. [5.7"] / D.= 35 mm. [1.4"] complete	
7177007	Koppelstang B-bediening ø16 (M10/M12) compleet	Connection rod B-operation ø16 (M10/M12) complete	
7317004	Plug G02 t.b.v. B-bediening	Plug G02 for B-control	
7354005	Handvat (rubber)	Handle (rubber)	
7354006	Stalen dop 70x70	Steel cap 70x70	
7370101	Drukstift drukbegrenzingsventiel	Pressure cartridge pressure control valve	
7371051	Beschermkap besturingsventiel 02 (compleet)	Cover for control valve 02 (complete)	
7376009	Afdichtingset besturingsventiel 02 compleet	Seals for control valve 02 complete	
7398007	Hendel oog (besturingsventiel 02)	Control handle eye (control valve 02)	
7398008	Koker met S-arretering (besturingsventiel 02)	Tube with S-detent (control valve 02)	
7677004	Bedienplunjer L.= 195 mm. / D.= 25 mm. compleet	Operation plunger L.= 195 mm. / D.= 25 mm. complete	
70171.4	Minimess plug (0-225 Bar)	Minimess plug (0-225 Bar)	

FOR INFORMATION ONLY !



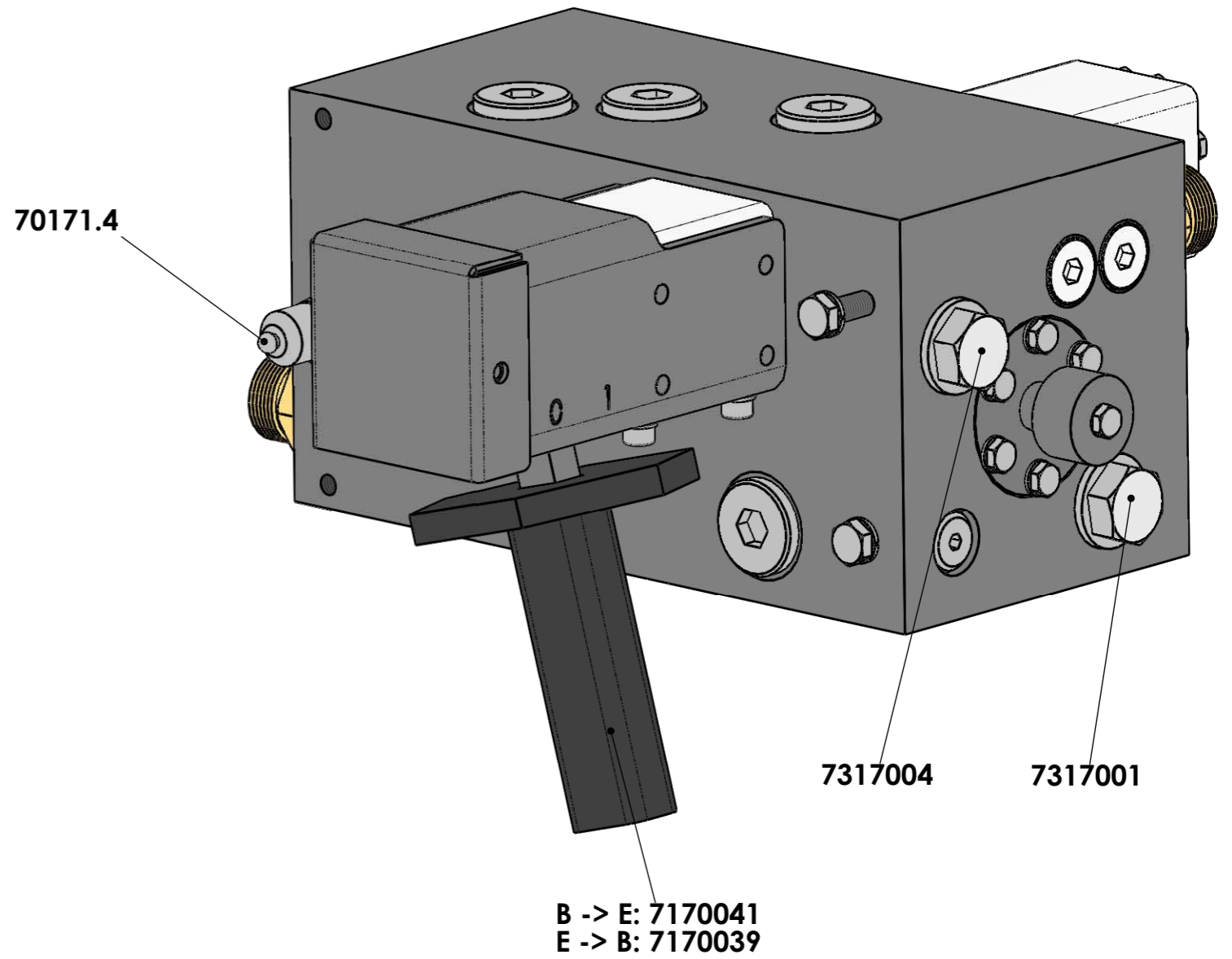
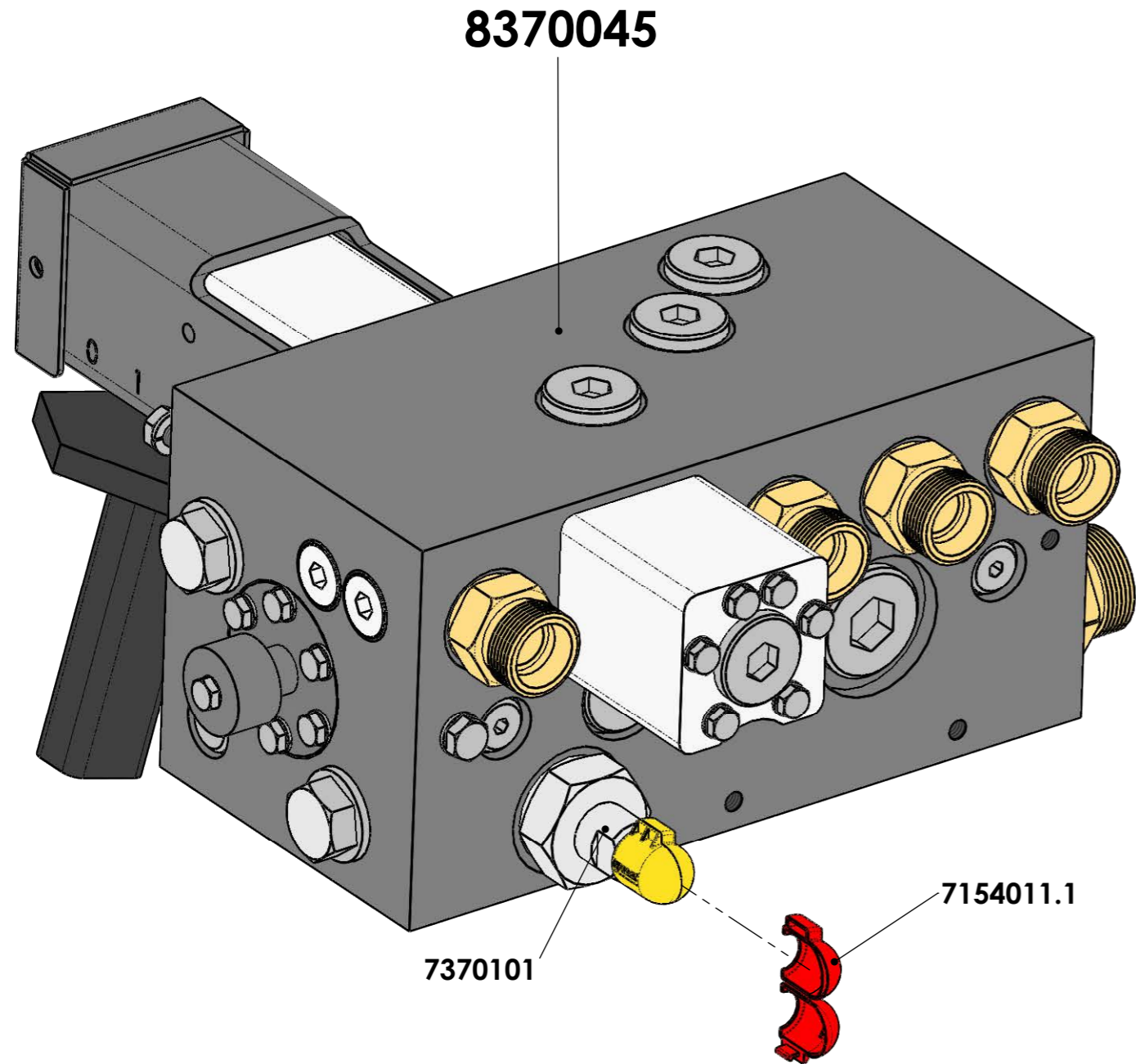
ART. NR. ART. NO.	BESTURINGSVENTIEL "E" BEDIENING PAGINA 7 BENAMING	CONTROL VALVE E-OPERATION PAGE 1 DESCRIPTION	
6305009	Magneet + stift 24V Cargo Floor (GS02) (inc. rode noodbediening)	Cartridge + solenoid 24 V. Cargo Floor (GS02) (incl. red emergency control)	
6305010	Magneet + stift 24V Cargo Floor (G02)	Cartridge + solenoid 24 V. Cargo Floor (G02)	
6305011	Stift Cargo Floor (GS02) (inc. rode noodbediening)	Cartridge Cargo Floor (GS02) (incl. red emergency control)	
6305012	Stift Cargo Floor (G02)	Cartridge Cargo Floor (G02)	
6305014	Magneet Cargo Floor G(+GS)02 24V	Solenoid Cargo Floor G(+GS)02 24V	
7154007	Kunststof noodhandbediening GS02	Plastic emergency manual control GS02	
7154011.1	Zegeldop voor DB ventiel (rood) – spare part	Seal cap for pressure safety valve (red) - spare part	
7170039	Ombouwset besturingsventiel E->B inclusief arretering	Modification kit control valve E->B including detent	
7170041	Ombouwset besturingsventiel B->E	Modification kit control valve B->E	
7370017	Besturingsventiel 02 E-bediend (compleet)	Control valve 02 E-operation (complete)	
7370101	Drukstift drukbegrenzingsventiel	Pressure cartridge pressure control valve	
70171.4	Minimes plug (0-225 Bar)	Minimes plug (0-225 Bar)	

FOR INFORMATION ONLY !



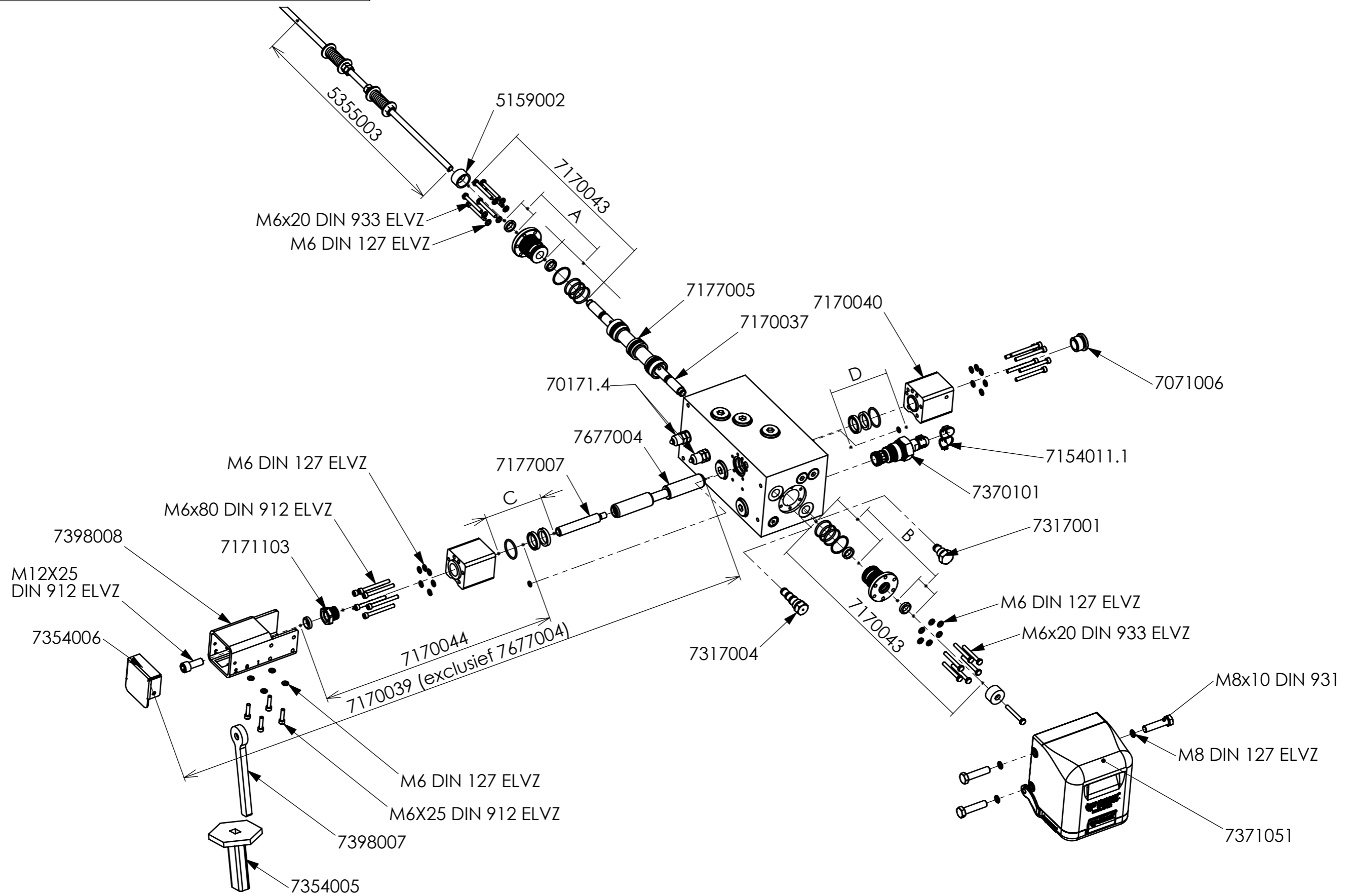
ART. NR. ART. NO.	BESTURINGSVENTIEL "E" BEDIENING PAGINA 8 BENAMING	CONTROL VALVE E-OPERATION PAGE 1 DESCRIPTION	
5159002	Afstandsring rond 30 (omschakelventiel)	Distance ring round 30 (switching valve)	
5355003	Draadstang compleet (1000 mm.)	Threaded rod complete (1000 mm. [39.4"])	
6305009	Magneet + stift 24V Cargo Floor (GS02) (inc. rode noodbediening)	Cartridge + solenoid 24 V. Cargo Floor (GS02) (incl. red emergency control)	
6305010	Magneet + stift 24V Cargo Floor (G02)	Cartridge + solenoid 24 V. Cargo Floor (G02)	
7071006	Inbus kraagplug 3/4 incl. dichting	socket plug 3/4" with O-ring	
7154011.1	Zegeldop voor DB ventiel (rood) – spare part	Seal cap for pressure safety valve (red) - spare part	
7170037	Voorstuur omschakelplunjer L.= 306 mm. / D.= 16 mm compleet	Pre-steering switching plunger L.= 306 mm. [12"] / D.= 16 mm. [0.6"] complete	
7170040	Deksel Bedienplunjer besturingsventiel 02 compleet	Head for operation plunger housing control valve 02 complete	
7170043	Deksel Omschakelplunjer besturingsventiel 02 compleet	Cover for switching piston control valve 02 complete	
7177005	Plunjer omschakel L.= 146 mm. / D.= 35 mm. compleet	Switching plunger L.=146 mm. [5.7"] / D.= 35 mm. [1.4"] complete	
7370101	Drukstift drukbegrenzingsventiel	Pressure cartridge pressure control valve	
7370107	Drossel ø6.5 mm (besturingsventiel 02)	Choke ø6.5 mm (control valve 02)	
7371051	Beschermkap besturingsventiel 02 (compleet)	Cover for control valve 02 (complete)	
7376009	Afdichtingset besturingsventiel 02 compleet	Seals for control valve 02 complete	
7677004	Bedienplunjer L.= 195 mm. / D.= 25 mm. compleet	Operation plunger L.= 195 mm. / D.= 25 mm. complete	
70171.4	Minimess plug (0-225 Bar)	Minimess plug (0-225 Bar)	

FOR INFORMATION ONLY !



ART. NR. ART. NO.	BESTURINGSVENTIEL "A" BEDIENING PAGINA 9 BENAMING	CONTROL VALVE A-OPERATION PAGE 1 DESCRIPTION	
7154011.1	Zegeldop voor DB ventiel (rood) – spare part	Seal cap for pressure safety valve (red) - spare part	
7170039	Ombouwset besturingsventiel E->B inclusief arretering	Modification kit control valve E->B including detent	
7170041	Ombouwset besturingsventiel B->E	Modification kit control valve B->E	
7317001	A-plug	Plug A	
7317004	Plug G02 t.b.v. B-bediening	Plug G02 for B-control	
7370101	Drukstift drukkbezigingsventiel	Pressure cartridge pressure control valve	
8370045	Besturingsventiel 02 A-bediend (compleet)	Control valve 02 A-operation (complete)	
70171.4	Minimess plug (0-225 Bar)	Minimess plug (0-225 Bar)	

FOR INFORMATION ONLY!



A+B+C+D=7376009



Cargo Floor B.V.
Byte 14
NL-7741 MK Coevorden
Phone : +31-524-593900
E-mail : info@cargo-floor.com

Project:
EXPLODED VIEWS CF100 SLL
Subject:
Control valve A-operation

Date: 28-02-2019
Drawn: SK

Drw. nr.:
EV50000-CF-241

A3

This drawing and the information contained herein is for general presentation purposes only.
This drawing is not intended for use on engineering plans and can be used as "as-is".
This drawing is the property of Cargo Floor B.V. and must not be copied or reproduced without their written authority.

ART. NR. ART. NO.	BESTURINGSVENTIEL "A" BEDIENING PAGINA 10 BENAMING	CONTROL VALVE A-OPERATION PAGE 1 DESCRIPTION	
5159002	Afstandsring rond 30 (omschakelventiel)	Distance ring round 30 (switching valve)	
5355003	Draadstang compleet (1000 mm.)	Threaded rod complete (1000 mm. [39.4"])	
7071006	Inbus kraagplug 3/4 incl. dichting	socket plug 3/4" with O-ring	
7154011.1	Zegeldop voor DB ventiel (rood) – spare part	Seal cap for pressure safety valve (red) - spare part	
7170037	Voorstuur omschakelplunjer L.= 306 mm. / D.= 16 mm compleet	Pre-steering switching plunger L.= 306 mm. [12"] / D.= 16 mm. [0.6"] complete	
7170039	Ombouwset besturingsventiel E->B inclusief arretering	Modification kit control valve E->B including detent	
7170040	Deksel Bedienplunjer besturingsventiel 02 compleet	Head for operation plunger housing control valve 02 complete	
7170043	Deksel Omschakelplunjer besturingsventiel 02 compleet	Cover for switching piston control valve 02 complete	
7170044	Deksel bedienplunjer besturingsventiel 02 (arretering) compleet	Head for operation plunger housing control valve 02 (detent) complete	
7171103	Bronzen bus (B-bediening) incl. afstrijker	Bronze bush (B-operation)	
7177005	Plunjer omschakel L.= 146 mm. / D.= 35 mm. compleet	Switching plunger L.=146 mm. [5.7"] / D.= 35 mm. [1.4"] complete	
7177007	Koppelstang B-bediening ø16 (M10/M12) compleet	Connection rod B-operation ø16 (M10/M12) complete	
7317001	A-plug	Plug A	
7317004	Plug G02 t.b.v. B-bediening	Plug G02 for B-control	
7354005	Handvat (rubber)	Handle (rubber)	
7354006	Stalen dop 70x70	Steel cap 70x70	
7370101	Drukstift drukbegrenzingsventiel	Pressure cartridge pressure control valve	
7371051	Beschermkap besturingsventiel 02 (compleet)	Cover for control valve 02 (complete)	
7376009	Afdichtingset besturingsventiel 02 compleet	Seals for control valve 02 complete	
7398007	Hendel oog (besturingsventiel 02)	Control handle eye (control valve 02)	
7398008	Koker met S-arretering (besturingsventiel 02)	Tube with S-detent (control valve 02)	
7677004	Bedienplunjer L.= 195 mm. / D.= 25 mm. compleet	Operation plunger L.= 195 mm. / D.= 25 mm. complete	
70171.4	Minimess plug (0-225 Bar)	Minimess plug (0-225 Bar)	